

GlassFish v2

JavaEE Service Engine Features

Vikas Awasthi
Bhavanishankar

Presentation to AS user experience meeting 29th Nov 2006

<http://glassfish.dev.java.net>

Agenda

- Overview
- New Features
- Resources
- Q & A

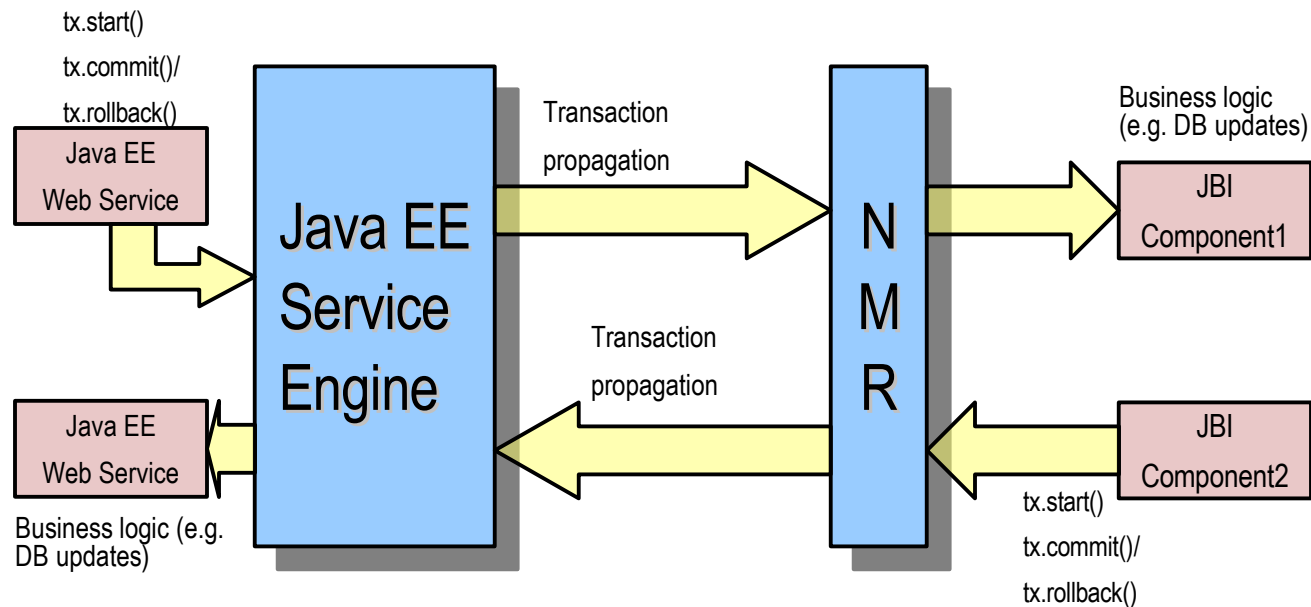
Overview

- > Bridges JBI with JavaEE
- > EJB/Servlet can transparently provide and consume services in the JBI Environment
- > Allows composite applications to leverage JavaEE features like transactions/security.
- > JavaEE webservices can leverage multiple transports available in JBI
- > Enables JavaEE applications to participate in BPEL workflows
- > In-process communication between appserver components and JBI components improves request processing speed.

New Features

Transactions support

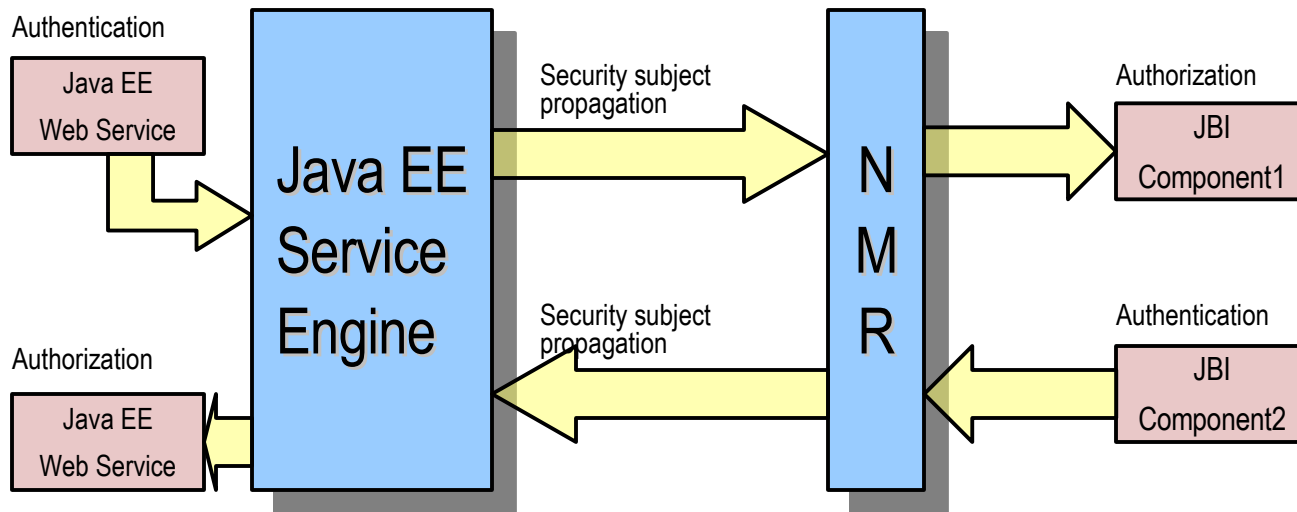
- Transaction propagation to other JBI components



New Features continued...

Security support

- ➔ Security subject propagation to other JBI components



New Features continued...

Code upgrade to JAX-WS 2.1

- Earlier WsConnection of JAX-WS 2.0 was used to intercept JAX-WS invocations
- Now Pipe and Adapter architecture of JAX-WS 2.1 is used

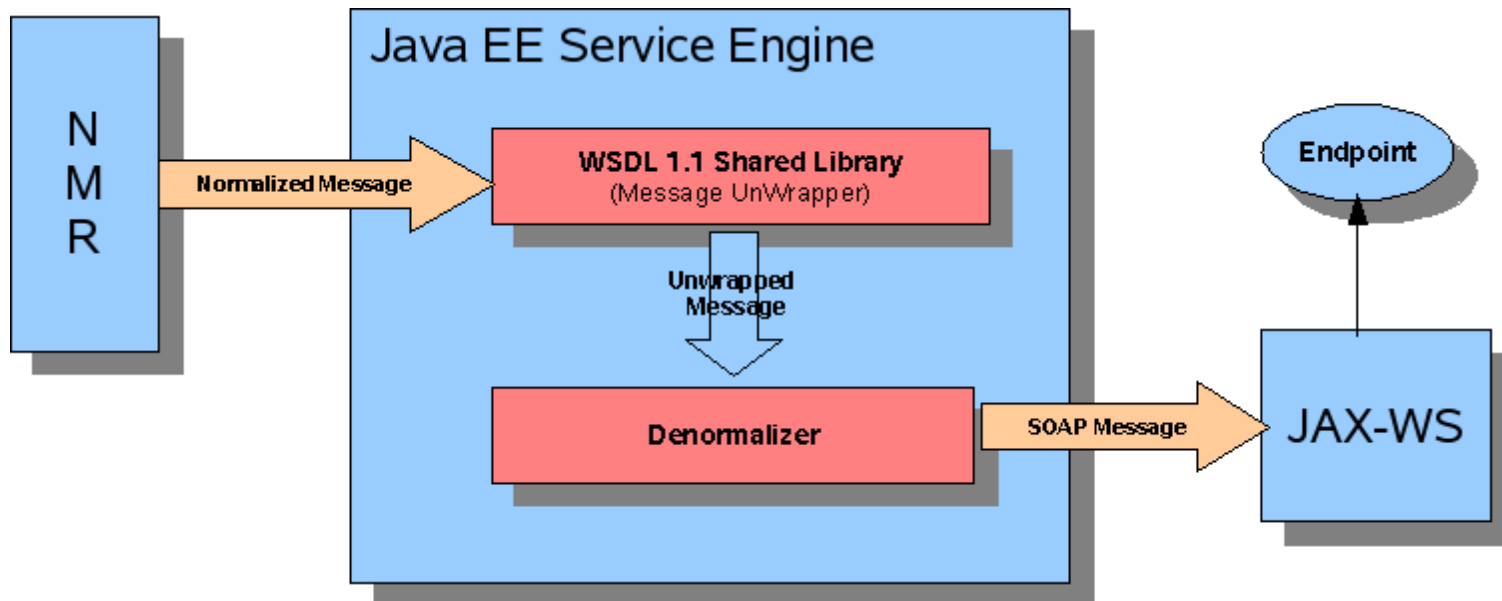
New Features continued...

- Packaging JavaEE application as part of composite application
- Endpoint enabling through jbi.xml
- Support for RPC/Literal style operations

New Features continued...

Direct invocation of Endpoints

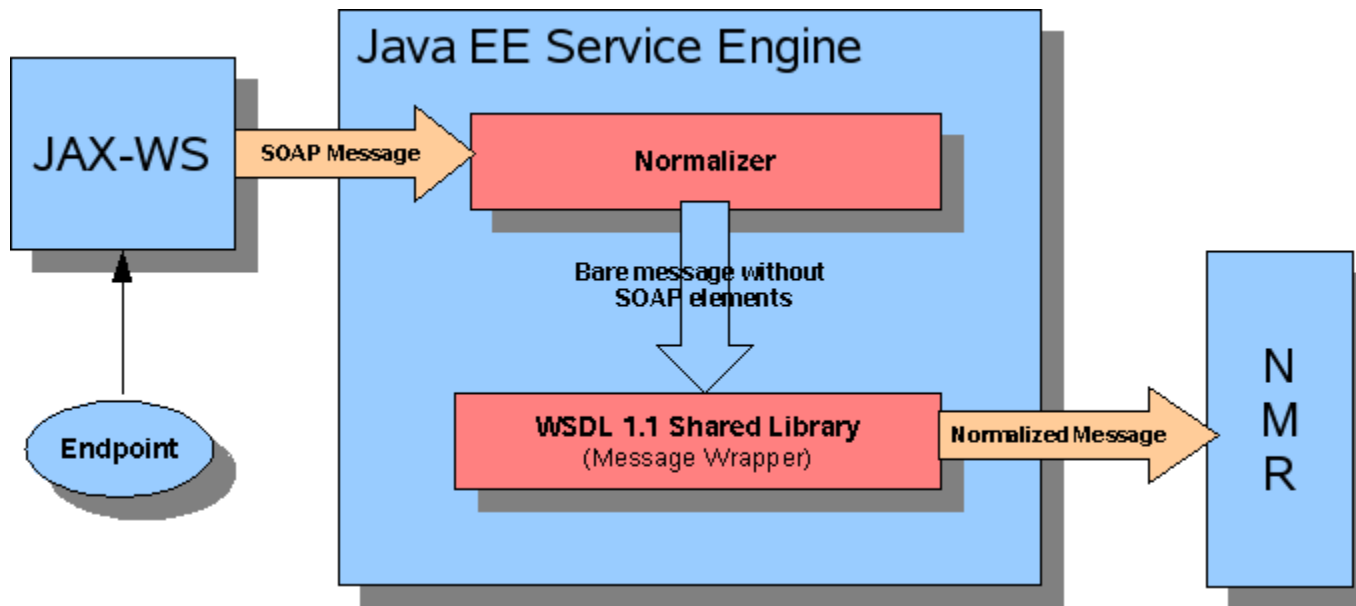
- > Handling of the inbound traffic in the old design



New Features continued...

Direct invocation of Endpoints

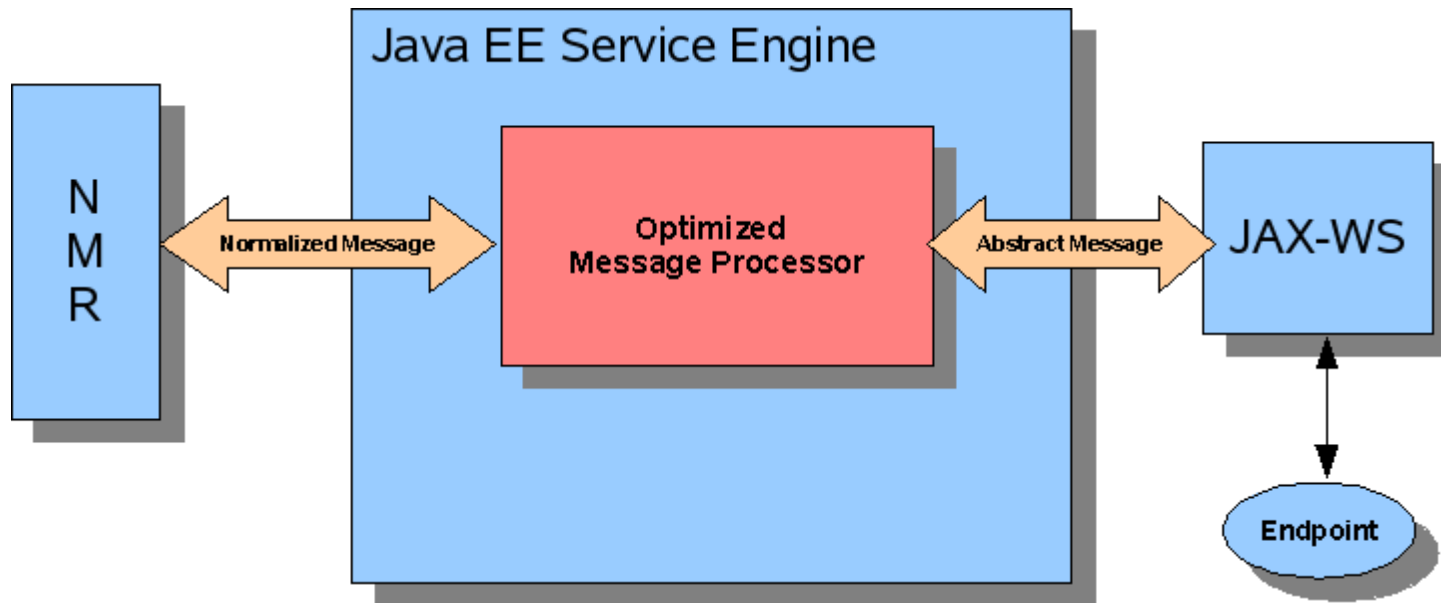
- > Handling of the outbound traffic in the old design



New Features continued...

Direct invocation of Endpoints

> THE NEW DESIGN



Resources

[JavaEE Service Engine one pager for GlassFish v2](#)

[JavaEE service engine project page](#)

[Open-ESB project page](#)

[Writeups on JavaEE Service Engine and JBI](#)

http://weblogs.java.net/blog/binod/archive/2006/07/java_ee_service_1.html

<http://java.sun.com/developer/technicalArticles/WebServices/soa3/index.html>

Q & A

GlassFish v2

JavaEE Service Engine Features

Vikas Awasthi
Bhavanishankar