

SPARC T4-2 Server

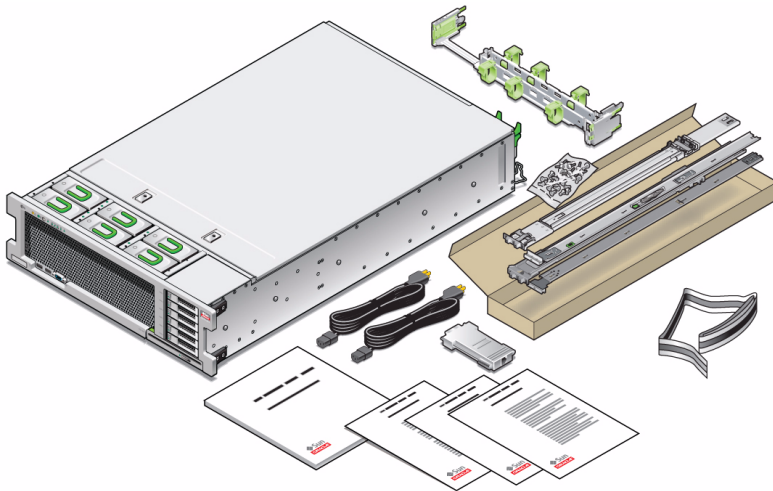
Getting Started Guide

This guide describes how to quickly power on and boot Oracle's SPARC T4-2 server for the first time using the preinstalled Oracle Solaris Operating System (Oracle Solaris OS).

Detailed installation information can be found in the *SPARC T4-2 Server Installation Guide*, which is available at the Oracle documentation web site:

http://download.oracle.com/docs/cd/E23075_01

Shipping Contents



Quantity	Item
1	Server
2	AC power cords
1	RJ-45 to DB-9 crossover adapter
1	Antistatic wrist strap
1	Rail rackmounting kit
1	Cable management arm
	Various documents

Safety and Compliance Information

Before performing an installation, refer to the following documents for safety information regarding the SPARC T4-2 server:

- *Important Safety Information for Sun Hardware Systems* - Printed document included in the shipping kit.
- *SPARC T4-2 Server Safety and Compliance Manual* - Available online at the Oracle documentation web site.

▼ Install Optional Components

Before installing the server into the rack, you must first install any optional components that you ordered with the server, such as DIMMs and PCIe cards. Refer to the *SPARC T4-2 Server Service Manual* for instructions on installing optional components.

▼ Prepare to Install the Server

Setting up the server for the first time takes about 45 to 75 minutes. Plan for additional time if you are also installing optional hardware and rackmounting kits.



Caution – Do not apply power until instructed to do so. – This system includes a service processor (SP) that is used to configure and boot the host server. To properly configure the host server and view SP messages, do not apply AC power to the server until the SP and host networking connections are made, as described in this guide.

1. Choose the best way to set up the server for your environment.

The instructions in this guide work for any networking environment and require a terminal device for connecting to a serial port. If you have a networking environment running DHCP, you can configure your system using the Ethernet management port by following the instructions in the installation guide.

2. Obtain a terminal device.

You configure the server through the SP using the built-in serial and network management ports, not through a graphical interface and keyboard. To communicate with the SP, you need a terminal device, which can be a terminal, a terminal server, or a laptop running terminal emulation software.

3. Gather your configuration information.

Refer to the installation guide for a checklist.

▼ Install the Server

For quick installation and configuration, follow these steps. For more detailed information, refer to the complete online product documentation set.

1. Confirm that you received all the parts needed for setting up the server.

See [“Shipping Contents”](#) for details.

2. Place the server in its intended location.

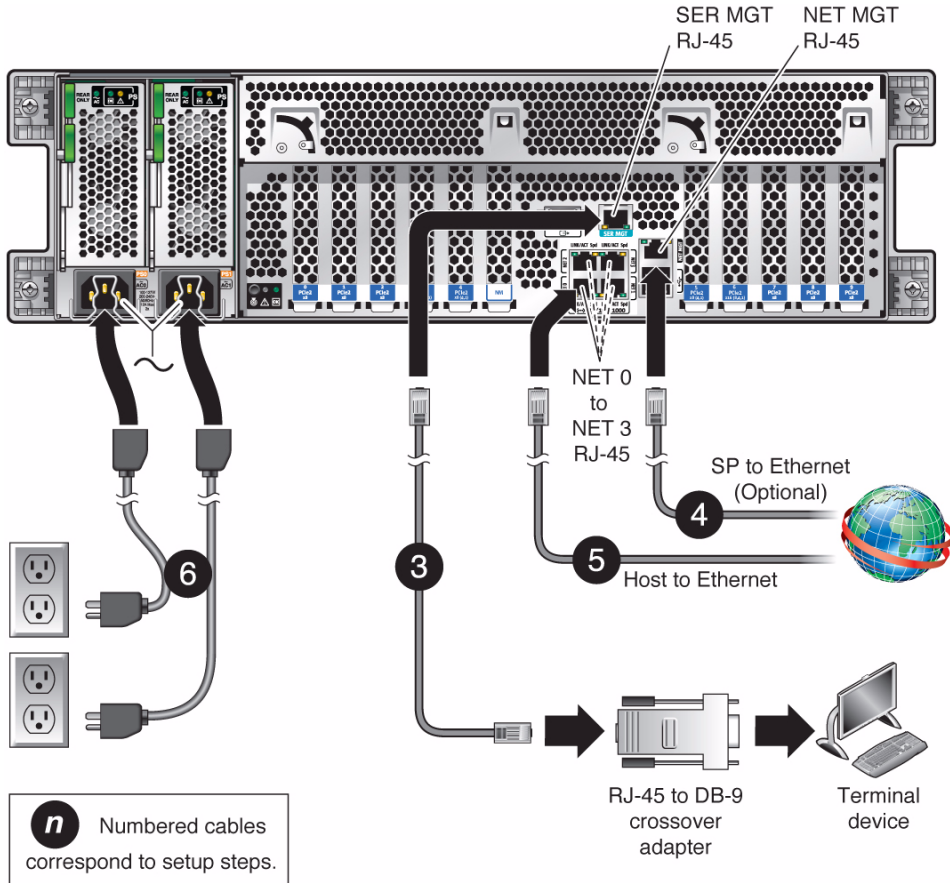
For rackmounting instructions, refer to the installation guide.

3. Connect a serial cable between the server’s SER MGT port and a terminal device.

This connection provides the initial communication with the SP.

Set up the server to communicate using 9600 baud, 8 bit, no parity, 1 stop bit. For DTE-to-DTE communication, use the supplied RJ-45 crossover adapters with a standard RJ-45 cable to set up a null modem configuration so that the transmit and receive signals are crossed over.

FIGURE 1 Server Connections



- 4. (Optional) Connect an Ethernet cable between the server's NET MGT port and the network to which future connections to the SP and host will be made.**

Configure the system for the first time through the SER MGT port. After the initial configuration, you can set up communication between the SP and host through this Ethernet interface.
- 5. Connect an Ethernet cable between one of the server's NET ports and the network to which the server will communicate.**
- 6. Connect the power cords to the power supplies and to separate power sources.**

If your server is equipped with two power supplies, connect them to separate power sources to provide power redundancy. The system can operate with one power connection, but having only one power source reduces the redundancy.

When the power cords are connected, the SP initializes and the power supply LEDs illuminate. After a few minutes, the SP login prompt displays on the terminal device. At this time, the host is not initialized or powered on.

7. **At the terminal device, log in to the SP as root with a password of changeme.**

```
SUNSP00144FAC732F login: root
Password: changeme
. . .
->
```

After a brief delay, the Oracle Integrated Lights Out Manager (Oracle ILOM) prompt (->) is displayed. For optimal security, change the root password. Refer to the Oracle ILOM documentation for more information about administration tasks such as changing passwords, adding accounts, and setting account privileges.

Note – By default, the SP is configured to use DHCP to obtain an IP address. If instead you plan to assign a static IP address to the SP, refer to the installation guide for instructions.

8. **Power on the server and redirect the host output to display on the serial terminal device.**

```
-> start /SYS
Are you sure you want to start /SYS (y/n)? y
-> start /HOST/console
Are you sure you want to start /HOST/CONSOLE (y/n)? y
Serial console started.
. . .
```

The server initialization takes approximately 20 minutes to complete.

9. **When prompted, follow the onscreen instructions and type the configuration information for your system.**

If you are not sure how to respond, accept the default and make changes later when the Oracle Solaris OS is running.

After you confirm the configuration information, the server reboots and displays the Oracle Solaris login prompt.

10. **Log in to the server.**

Use the following commands to display information about the system:

- `showrev` – Displays the host name and system architecture information. Use the `-a` option to display the patches that are installed.
- `psrinfo` – Displays information about the number and status of the processors and cores in the host.

Refer to the Oracle Solaris OS man pages and documentation for more details about these commands.

▼ Check for Latest Patches and Firmware

Later versions of OS patches and server firmware might be available for your server. Some server features are enabled only when certain versions of patches or firmware are installed. Refer to the *SPARC T4-2 Server Product Notes* for details about required versions and patches.

For updates, go to the My Oracle Support web site: <https://support.oracle.com>

Related Documentation

Documentation	Links
All Oracle products	http://www.oracle.com/documentation
SPARC T4-2 server	http://download.oracle.com/docs/cd/E23075_01
Oracle ILOM	http://download.oracle.com/docs/cd/E19860-01
Oracle Solaris and other system software	http://www.oracle.com/technetwork/indexes/documentation/#sys_sw

Feedback

Provide feedback on this document at: <http://www.oracle.com/goto/docfeedback>

Support and Accessibility

Description	Links
Access electronic support through My Oracle Support.	https://support.oracle.com For hearing impaired: http://www.oracle.com/accessibility/support.html
Learn about Oracle's commitment to accessibility.	http://www.oracle.com/us/corporate/accessibility

Copyright © 2011, Oracle and/or its affiliates. All rights reserved.
Copyright © 2011, Oracle et/ou ses affiliés. Tous droits réservés.



Part Number: E23081-02
Mfg. Number: 7015567
November 2011