

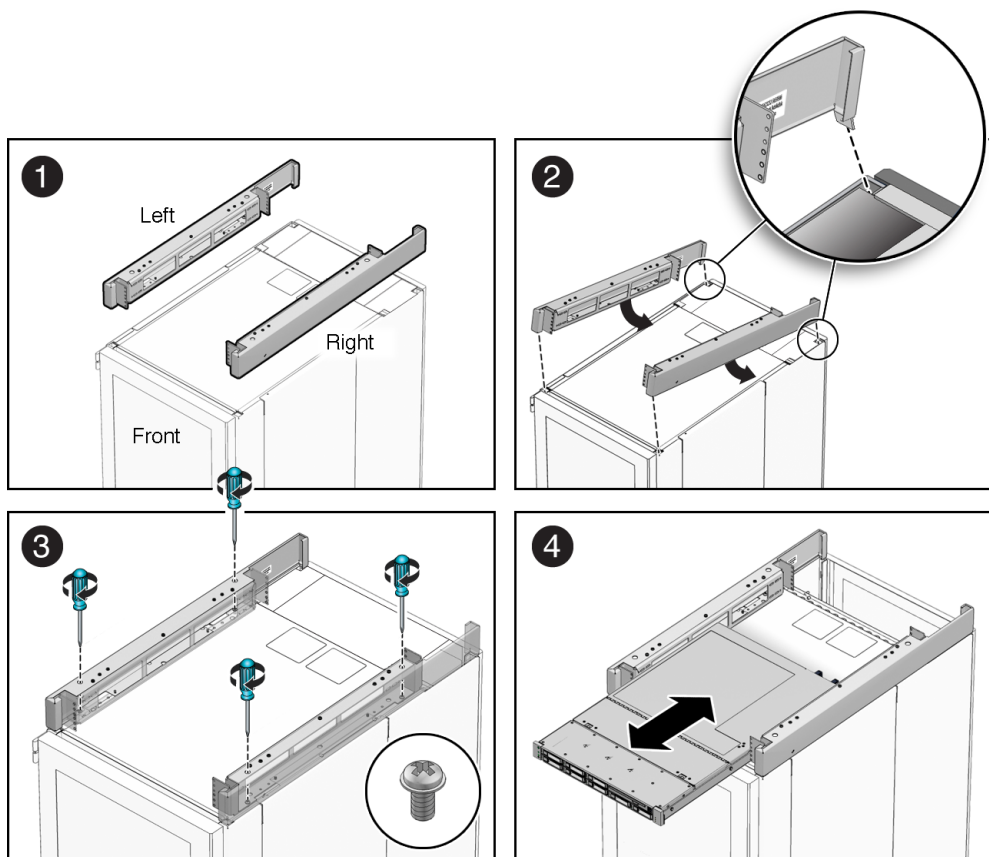
Installing the Sun Blade™ 6048 Modular System 2U Expansion Module

The 2U expansion module enables the installation of one or two 1 rack unit (RU) systems or one 2 RU system on the top of the Sun Blade 6048 modular system.

Note the following prerequisites before beginning the installation:

- Make sure that you have 12 in (304.80 mm) clearance on top of the Sun Blade 6048 cabinet.
- You will need a ladder or stool to reach the top of the Sun Blade 6048 cabinet. The cabinet is 81.7 in (2075 mm) tall.
- A 5 in (127 mm) minimum length Phillips screw driver with a magnetic tip is recommended.
- It is recommended that the procedure be performed by two people.
- The expansion module can be installed with the system chassis powered on or off.

The following illustrations show the procedure for installing the 2U expansion module on a Sun Blade 6048 cabinet. The procedure for installation follows the illustration.



1. Unpack the contents of the expansion module kit.

The expansion module kit contains two expansion module mounting brackets and four M6 screws.

2. Place the brackets on the top of the Sun Blade 6048 cabinet (see panels 1 and 2). Note the following.

- The open part of the bracket should correspond with the opening in the back of the cabinet.
- The part number label should be right side up when the brackets are placed correctly.
- The back of each bracket has a tab, which engages the rim at the top of the Sun Blade 6048 modular system.

3. Use two of the M6 screws for each bracket to fasten the expansion module brackets (see panel 3).

- a. Place two M6 screws in the two outermost screw holes of the right bracket.
- b. Insert a screwdriver into the hole on top of the bracket that is directly above the screw, and tighten the screw.
- c. Repeat steps a and b for the left bracket.

4. Mount a system onto the expansion module, using the rack rails and instructions included with the system (see panel 4).

Accessing Sun Documentation

You can view, print, or purchase a broad selection of Sun documentation, including localized versions, at:

<http://www.sun.com/documentation>

Contacting Sun Technical Support

If you have technical questions about this product that are not answered in this document, go to:

<http://www.sun.com/service/contacting>

Sun Welcomes Your Comments

Sun is interested in improving its documentation and welcomes your comments and suggestions. You can submit your comments by going to:

<http://www.sun.com/hwdocs/feedback>

Please include the title and part number of your document with your feedback:

Installing the Sun Blade 6048 Modular System 2U Expansion Module, part number 820-6636-11.

Copyright 2009 Sun Microsystems, Inc. All rights reserved.
Copyright 2009 Sun Microsystems, Inc. Tous droits réservés.systems



Sun Microsystems, Inc.
www.sun.com