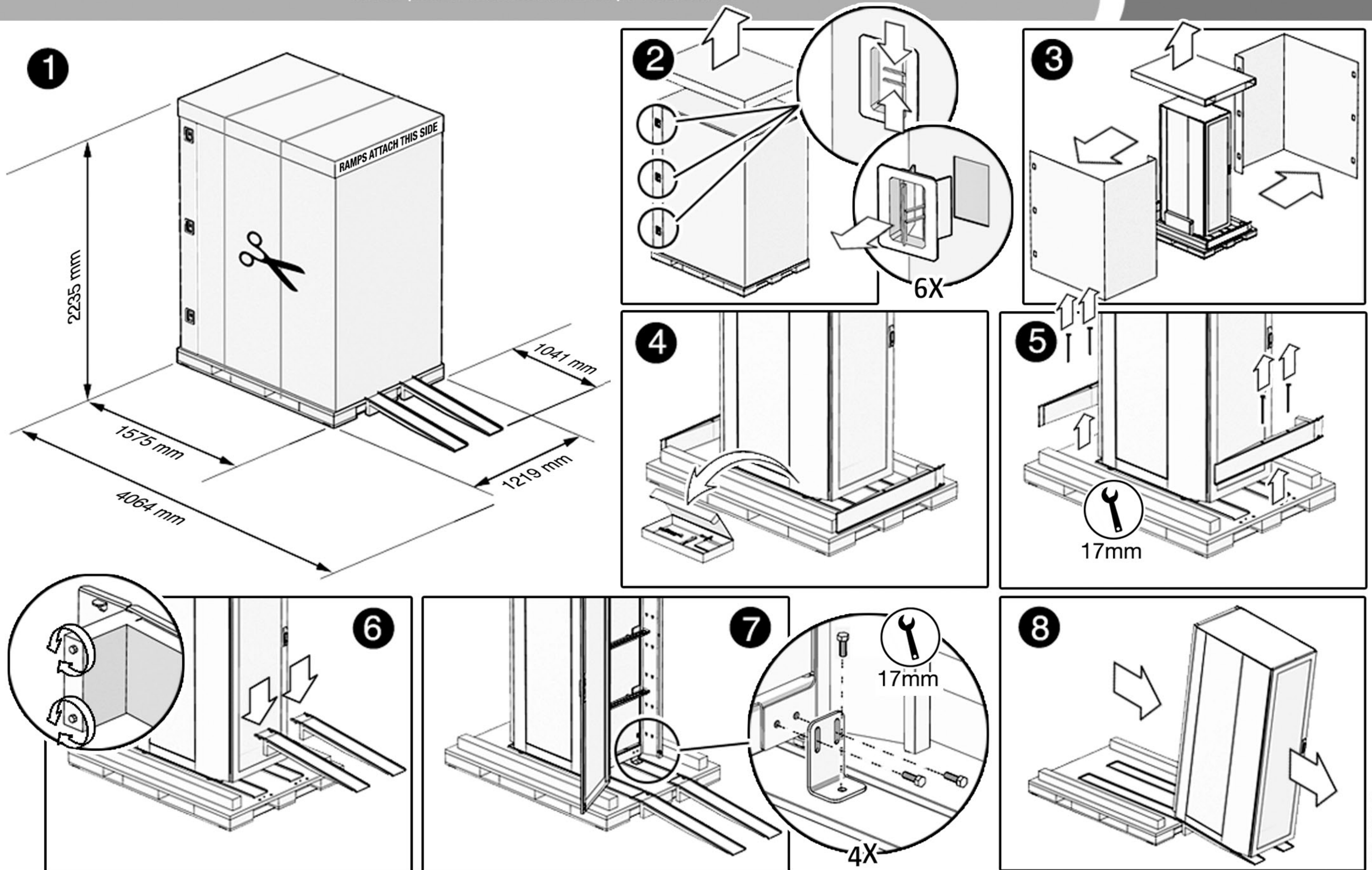


Sun Blade™ 6048 System Unpacking Guide

Access product documentation at: <http://docs.sun.com>



820-2987-10