

StorageTek T9840 Tape Drive

User's Reference Manual



Part Number: 95739
May 2010, Revision YC

Submit comments about this document by clicking the Feedback [+] link at: <http://docs.sun.com>

Copyright © 1998, 2010, Oracle and/or its affiliates. All rights reserved.

This software and related documentation are provided under a license agreement containing restrictions on use and disclosure and are protected by intellectual property laws. Except as expressly permitted in your license agreement or allowed by law, you may not use, copy, reproduce, translate, broadcast, modify, license, transmit, distribute, exhibit, perform, publish, or display any part, in any form, or by any means. Reverse engineering, disassembly, or decompilation of this software, unless required by law for interoperability, is prohibited.

The information contained herein is subject to change without notice and is not warranted to be error-free. If you find any errors, please report them to us in writing.

If this is software or related software documentation that is delivered to the U.S. Government or anyone licensing it on behalf of the U.S. Government, the following notice is applicable:

U.S. GOVERNMENT RIGHTS Programs, software, databases, and related documentation and technical data delivered to U.S. Government customers are "commercial computer software" or "commercial technical data" pursuant to the applicable Federal Acquisition Regulation and agency-specific supplemental regulations. As such, the use, duplication, disclosure, modification, and adaptation shall be subject to the restrictions and license terms set forth in the applicable Government contract, and, to the extent applicable by the terms of the Government contract, the additional rights set forth in FAR 52.227-19, Commercial Computer Software License (December 2007). Oracle USA, Inc., 500 Oracle Parkway, Redwood City, CA 94065.

This software or hardware is developed for general use in a variety of information management applications. It is not developed or intended for use in any inherently dangerous applications, including applications which may create a risk of personal injury. If you use this software or hardware in dangerous applications, then you shall be responsible to take all appropriate fail-safe, backup, redundancy, and other measures to ensure the safe use. Oracle Corporation and its affiliates disclaim any liability for any damages caused by use of this software or hardware in dangerous applications.

Oracle is a registered trademark of Oracle Corporation and/or its affiliates. Oracle and Java are registered trademarks of Oracle and/or its affiliates. Other names may be trademarks of their respective owners.

AMD, Opteron, the AMD logo, and the AMD Opteron logo are trademarks or registered trademarks of Advanced Micro Devices. Intel and Intel Xeon are trademarks or registered trademarks of Intel Corporation. All SPARC trademarks are used under license and are trademarks or registered trademarks of SPARC International, Inc. UNIX is a registered trademark licensed through X/Open Company, Ltd.

This software or hardware and documentation may provide access to or information on content, products, and services from third parties. Oracle Corporation and its affiliates are not responsible for and expressly disclaim all warranties of any kind with respect to third-party content, products, and services. Oracle Corporation and its affiliates will not be responsible for any loss, costs, or damages incurred due to your access to or use of third-party content, products, or services.

Revision History

EC	Date	Revision	Description
112188	October 1998	A	Initial release
113499	February 1999	B	See this edition for a description of changes.
112275	April 1999	C	See this edition for a description of changes.
112388	September 1999	D	See this edition for a description of changes.
112350	November 1999	E	See this edition for a description of changes.
111457	March 2000	F	See this edition for a description of changes.
111488	May 2000	G	See this edition for a description of changes.
111523	August 2000	H	See this edition for a description of changes.
111542	August 2000	J	See this edition for a description of changes.
111643	May 2001	K	See this edition for a description of changes.
111692	November 2001	L	See this edition for a description of changes.
111768	November 2002	M	See this edition for a description of changes.
111823	March 2003	N	See this edition for a description of changes.
111841	May 2003	P	See this edition for a description of changes.
111850	July 2003	R	See this edition for a description of changes.
111864	September 2003	T	See this edition for a description of changes.
111872	September 2003	U	See this edition for a description of changes.
111895	May 2004	V	See this edition for a description of changes.
111407	May 2005	W	See this edition for a description of changes.
EC000238	January 2008	Y	See this edition for a description of changes.
EC000690	September 2008	YA	See this edition for a description of changes.
EC001139	April 2009	YB	Added IPv6 information. Added FIPS level 1 information Corrected a page numbering error.
EC001706	May 2010	YC	Removed Sun branding. Removed the Notices section. Added alternate text to figures/illustrations.

Contents

Revision History	3
Contents	5
Figures	9
Tables	11
Preface	13
Related Documentation	13
Documentation, Support, and Training	14
Oracle Welcomes Your Comments	14
Customer-Initiated Maintenance	15
1. Overview	17
Tape Drive	17
Encryption	18
Encryption Resources	18
Encryption Status LED	19
Configurations	20
Desktop and Rack-mountable Drive Units	20
Cartridge Scratch Loader Drive Units	21
Library Attached Configurations	22
Interfaces	23
Cartridges	24
Mixed Media Management	25

Media Information Region	26
Normal MIR Processing	27
Cross-Density MIR Processing	27
T9840D Tape Drive Loaded With a Lower-Density Cartridge	27
T9840C tape Drive Loaded With a T9840D Data Cartridge	28
T9840C Tape Drive Loaded With a T9840A/B Data Cartridge	28
T9840A/B Tape Drives	29
Exceptional MIR Processing	30
Invalid MIR Correction	30
2. Operator Controls	33
Front Panel	34
Load/Unload Slot	34
Indicators	35
Manual Unload Device	35
Display	36
Tape Bar	36
Write Bar	36
Read Bar	36
Switches	38
Virtual Operator Panel	39
Library Controls/Indicators	40
SL8500/T9x40 Drive Tray	40
StorageTek Library Console	41
Drive Folder Top Level Display	41
Drive Specific Displays	42
Status	42
Properties	43
Display	44
3. Menus	45
Menu Structure Overview	45
Online Menu Operation	47
View Configuration Menu	47
View TCP/IP Menu	47
Fibre Channel View Configuration Menu Tree (T9840A/B/C)	49

Fibre Channel View Configuration Menu Tree (T9840D)	50
SCSI View Configuration Menu Tree	51
ESCON View Configuration Menu Tree	52
FICON View Configuration Menu Tree (T9840B/C)	53
FICON View Configuration Menu Tree (T9840D)	54
TCP/IP View Configuration Menu	55
Offline Menus	56
Configuration Changes	57
Drive Operations Menu	58
4. Operator Tasks	59
Power-on the Drive	60
Power-off the Drive	60
IPL the Drive	61
Write-protect/Enable a Data Cartridge	62
Load a Data Cartridge	63
Unload a Data Cartridge	64
Clean the Drive	65
Menu System Tasks	66
Place the Drive Online	66
View Drive Configuration	66
View Firmware Release Level	67
Place the Drive Offline	67
Reformat a Cartridge	68
Build MIR	69
Exit the Menu System	70
5. Indicators and Messages	71
Indicators	71
Messages	72
Potential Operator Recovery Scenarios	76
Translated Messages	77
A. Specifications	79
Physical Specifications	79

Tape Drive Only	79
Desktop Configuration	80
Rack-Mount Configuration	80
Library-attached Configuration	80
Power Specifications	81
Environmental Requirements	82
Tape Drive and Power Supply	82
Tape Cartridge	83
Performance Specifications	84
Tape Drive	84
Tape Cartridge	85
B. Cartridge Care	87
Handling	87
Storing	87
Identify a Damaged Cartridge	87
Cleaning	88
Shipping	88
Glossary	89
Index	97

Figures

FIGURE 1-1	T9840 Tape Drive Front Panel	17
FIGURE 1-2	Encryption Status LED (SL8500 Library Drive Tray)	19
FIGURE 1-3	T9840 Desktop and Rack-mount Units	21
FIGURE 1-4	CSL Desktop and Rack-mount (T9840A)	21
FIGURE 1-5	T9840 Tape Drive Library Attached Configurations	22
FIGURE 1-6	9840 Tape Cartridge	24
FIGURE 2-1	T9840 Operator Panel	34
FIGURE 2-2	Tape Bar	37
FIGURE 2-3	Virtual Operator Panel	39
FIGURE 2-4	SL8500/T9840 Drive Tray Rear Panel	40
FIGURE 2-5	SL8500 SLC Drive Folder Display	41
FIGURE 2-6	SL8500 SLC Drive Status Tab	42
FIGURE 2-7	SL8500 SLC Drive Properties Tab	43
FIGURE 2-8	SL8500 SLC Drive Display Tab	44
FIGURE 3-1	Online Menus	48
FIGURE 3-2	Offline Menus/Interface Menu Tree	56
FIGURE 3-3	Drive Operations Menu Tree	58
FIGURE 4-1	T9840 Data Cartridge Write Protect Switch	62

Tables

TABLE 1-1	Encryption Status LED State Descriptions	20
TABLE 1-2	Cartridge Read/Write Compatibility	25
TABLE 2-1	Operator Panel Indicators	35
TABLE 2-2	Operator Panel Switches	38
TABLE 5-1	Operator Panel Indicators	71
TABLE 5-2	Operator Panel Display Messages	72
TABLE 5-3	Selected Check Message Meanings	76
TABLE 5-4	Translated Display Messages	77
TABLE A-1	T9840 Tape Drive Physical Specifications	79
TABLE A-2	T9840 Tape Drive Desktop Physical Specifications	80
TABLE A-3	T9840 Tape Drive Rack-mount Physical Specifications	80
TABLE A-4	T9840 Tape Drive Weights (Library-attached)	80
TABLE A-5	T9840 Tape Drive Power Specifications	81
TABLE A-6	T9840 Tape Drive and Power Supply Environmental Requirements	82
TABLE A-7	T9840 Tape Cartridge Environmental Requirements	83
TABLE A-8	T9840 Tape Drive Performance Specifications	84
TABLE A-9	StorageTek 9840 Data Cartridge Physical and Performance Specifications	85

Preface

This manual contains information about the T9840 tape drive family. It is a guide for operating the drive and responding to operator panel messages that might occur while using the drive. The term **T9840** is used in this publication to represent all models of the T9840 tape drive series. The specific model suffix will be used only as required for differentiation.

Related Documentation

The following list contains the names and order numbers of publications associated with the tape drives:

Document Title	Part Number
T9x40 Support Documents	
<i>T9x40 Tape Drive Service Reference Manual</i>	95740
<i>Virtual Operator Panel User's Guide</i>	96179
Related Product Documents	
<i>4410/11/20/30 and 9310/11/20 Automated Cartridge System Hardware Operator's Guide</i>	9206
<i>Crypto Key Management System, Installation and Service Manual</i>	3161949xx
<i>Crypto Key Management System, System Administrator Guide</i>	3161951xx
<i>Crypto Key Management System Version 2.0 Systems Assurance Guide</i>	316194803
<i>L700x/L1400x Tape Libraries and Pass-Thru Port Ordering and Configuration Guide</i>	MT9112
<i>L700x/L1400x Tape Libraries and Pass-Thru Port Operator Guide</i>	95845
<i>L5500 Automated Cartridge System Operator's Guide</i>	96063
<i>StorageTek SL3000 Modular Library System, Systems Assurance Guide</i>	3161941xx
<i>StorageTek SL3000 Modular Library System, User's Guide</i>	3161944xx
<i>StorageTek SL8500 Modular Library System, Systems Assurance Guide</i>	MT9229
<i>StorageTek SL8500 Modular Library System, User's Guide</i>	96154
<i>TimberWolf 9740 Library Storage Module Hardware Operator's Guide</i>	95693

Most of the documentation listed in the previous table can be found online at the following URL: <http://docs.sun.com/app/docs/prod/tape.storage#hic>

Publications regarding tape device software products:

Software Products

A list of tape device software products is online at:
<http://docs.sun.com/app/docs/prod/tape.device#hic>

Documentation, Support, and Training

Function	URL
Web site	■ http://www.oracle.com/index.html
Documentation	
■ Customer:	■ http://docs.sun.com
■ Employee:	■ http://docs.sfbay.sun.com/
■ Partner:	■ https://spe.sun.com/spx/control/Login
Downloads	
■ Customer:	■ http://www.sun.com/download/index.jsp
■ Employee:	■ https://dlrequest-zn-dlapps1.sfbay.sun.com/usr/login
Support	■ http://www.sun.com/support/
Training	■ http://www.oracle.com/global/us/education/sun_select_country.html
Sun Online Account	■ https://reg.sun.com/register

Oracle Welcomes Your Comments

Oracle is interested in improving its documentation and welcomes your comments and suggestions. Submit your comments by clicking the Feedback[+] link at:

<http://docs.sun.com>

Please include the title and part number of your document with your feedback:

StorageTek T9840 User's Reference Manual, 95739

Customer-Initiated Maintenance

Customer-initiated maintenance begins with a telephone call from you to StorageTek Support. You receive immediate attention from qualified personnel, who record problem information and respond with the appropriate level of support.

This section describes what to do if problems occur with the tape drive. In some cases, you might be able to correct the problem. In other cases, you must contact your service representative as described in this chapter.

If you have as much of the following information as possible when you place a service call, the process is much easier:

- Account name: _____
- Site location number: _____
- Contact name: _____
- Telephone number: _____
- Equipment model number: _____
- Tape drive address: _____
- Tape drive code level: _____
- Tape drive serial number: _____
- Urgency of the problem: _____
- Fault Symptom Code (FSC) from the tape drive's front panel display screen (rack mount) or as displayed on the host system display screen: _____
- Problem description: _____
- Is the tape drive in a library? ___ If so, which library? _____
- If the tape drive was running properly before this incident:
 - What changes has the site made recently? _____
 - What software application was running at the time of the failure? _____
 - Were any hardware configuration changes made recently? _____
 - Were any software configuration or upgrades done recently? _____
 - Were any additions or deletions to the hardware or software done at the site? _____
- If the drive was *not* running properly before this incident, what was the last problem? _____

Overview

This chapter provides an overview of the T9840 Tape Drive family.

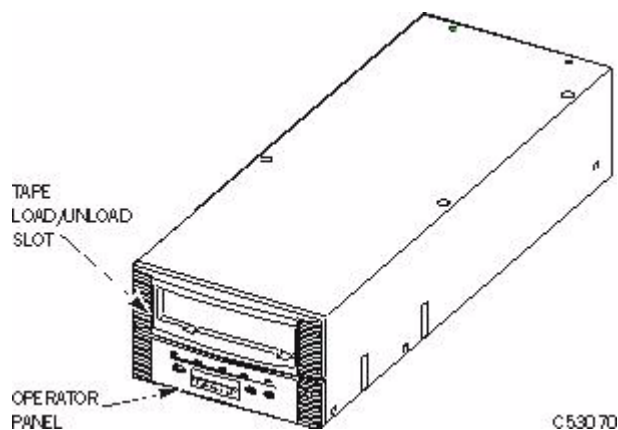
Tape Drive

The T9840 Tape Drive is designed for fast-access to data stored on a midpoint loading tape cartridge. Four drive models are available for the enterprise and client-server environments. The T9840A and T9840B have a 20 GB, uncompressed cartridge capacity. The T9840C has a cartridge capacity of 40 GB, uncompressed. Oracle's StorageTek T9840D encryption-capable tape drive has a cartridge capacity of 75 GB, uncompressed. For more information about the tape cartridge, see ["Cartridges" on page 24](#).

The drive front panel ([FIGURE 1-1](#)) has a tape load/unload slot and an operator panel for manual control. See [Chapter 2, "Operator Controls"](#) for detailed information on operator panel controls and indicators.

The drive rear panel has connectors for power, host interface, library interface, and maintenance (not available on the T9840A). An encryption status LED is present on the rear panel of the T9840D.

FIGURE 1-1 T9840 Tape Drive Front Panel



Use of the RJ45 maintenance port on a non-encryption drive is restricted to company service personnel only.

Note – Customer attachment to the maintenance port of a non-encrypting drive has caused problems. Oracle neither supports nor assumes any responsibility for unauthorized use of the maintenance port by unauthorized personnel.

Starting with drive code 1.44.x04, you can use IPv6 addressing. An IPv6 address is a 128-bit value written as eight groups of four hexadecimal characters separated by colons (for example, 2001:0db8:85a3:0000:0000:8a2e:0370:7334).

Encryption

Encryption is based on the science of cryptography and is one of today's most effective ways to achieve data security. To read an encrypted file, you must have access to the key that enables the drive to decipher the data.

The T9840D tape drive employs a device-based (or data-at-rest) encryption solution. The drive is shipped from the factory encryption-capable, but not encryption-enabled. You must explicitly enable the drive for encryption.

Note – A tape drive that has not been enabled for encryption can neither read nor append to any encrypted data cartridge.

An encryption-enabled drive can:

- Write to the data cartridge in encrypted mode only (by using its assigned write key)
- Read an encrypted data cartridge, if it has the proper read key
- Read non-encrypted data cartridges
- Format tape cartridges

An encryption-enabled drive cannot:

- Append (write) to a non-encrypted data cartridge
- Mix encrypted and non-encrypted data on the same cartridge

With drive code level 1.44.xxx and Key Management System (2.1), the T9840D Fibre Channel and FICON drives comply with FIPS Level 1 which is the lowest classification (production-grade requirements).

Encryption Resources

For additional information on the encryption capabilities and features, refer to:

- *Crypto Key Management System, Installation and Service Manual*, PN 3161949xx
- *Crypto Key Management System, System Administrator Guide*, PN 3161951xx

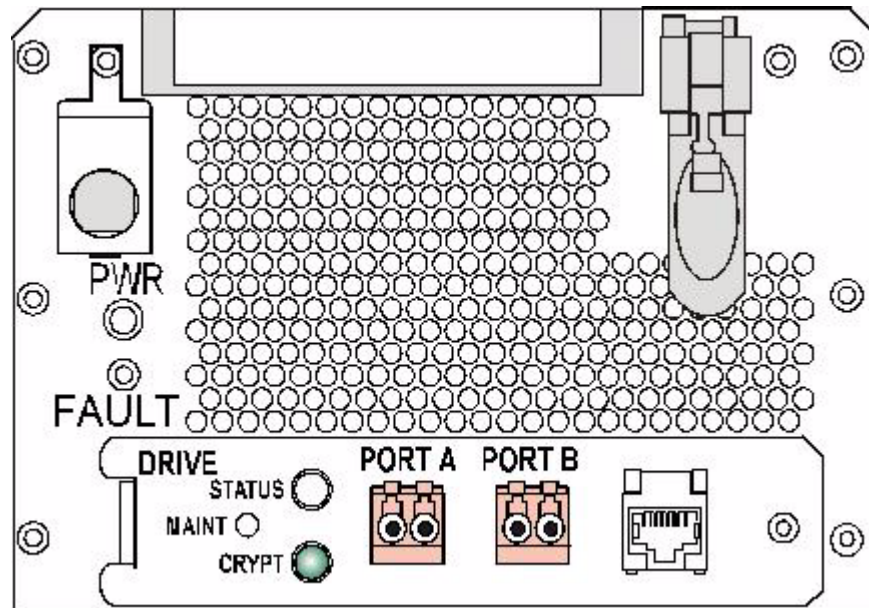
Encryption Status LED

Encryption-capable drives have a tri-color, encryption-status LED on the rear panel, see [TABLE 1-1 on page 20](#) for an explanation of the status indications. Drive trays that fully enclose the drive use a light pipe to transfer the LED indication to the rear of the tray (see the **CRYPT** label in the figure below).

If the encryption status LED is green, it indicates that the drive is encryption capable, but not encryption enabled. In this state, the drive functions only in a non-encryption *safe* mode, and cannot read/write encrypted data cartridges. However, the drive can function normally for non-encryption tasks.

Once the drive is encryption enabled, the LED turns red to indicate that the drive is *armed* and functioning in the encryption mode. In this state, the drive can read/write encrypted data cartridges. The drive can also read non-encrypted data cartridges, but cannot write to non-encrypted data cartridges.

FIGURE 1-2 Encryption Status LED (SL8500 Library Drive Tray)



C54103

The following table interprets the various states of the encryption status LED. Refer to the Crypto Key Management documentation for additional information.

TABLE 1-1 Encryption Status LED State Descriptions

LED State	Mode	Description
Green	Safe	Encryption capable, but not enabled. Normal-unencrypted drive write/read cartridge operations.
Red	Armed	Encryption enabled/active. Ready to encrypt.
Slow flashing Green ¹	Reset ²	Encryption previously enabled, but requires keys. Drive is capable read-only, unencrypted cartridge operations.
Slow flashing Red ¹		Encryption read/write cartridge operation in progress.
Amber		Requires media key.
Slow flashing Amber ¹		Requires device key.
Cycling ³	Zeroed	Media, device, and enabling keys missing. The drive is unusable, and must be returned to manufacturing.

1. Slow flash (1 cycle per second)

2. Drive is no longer capable of unencrypted write operation once encryption has been enabled.

3. The LED continuously cycles through all three colors at the slow flash rate.

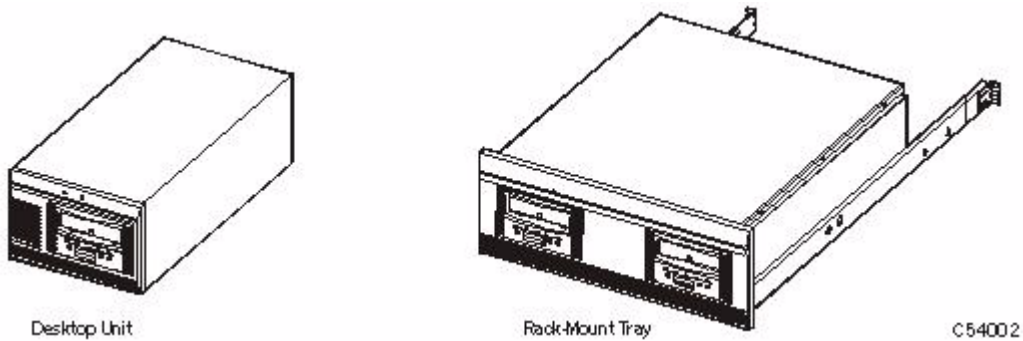
Configurations

T9840 Tape Drives are available in desktop, rack-mountable, and library-attached configurations.

Desktop and Rack-mountable Drive Units

Both the desktop and rack-mount configurations, shown in [FIGURE 1-3 on page 21](#), feature manual tape cartridge loading. The desktop version (T9840A/B *only*) comprises a single drive and a power supply mounted within a cabinet with rubber feet. The rack-mount version includes a single drive or dual drives plus power supplies in a chassis (tray).

FIGURE 1-3 T9840 Desktop and Rack-mount Units

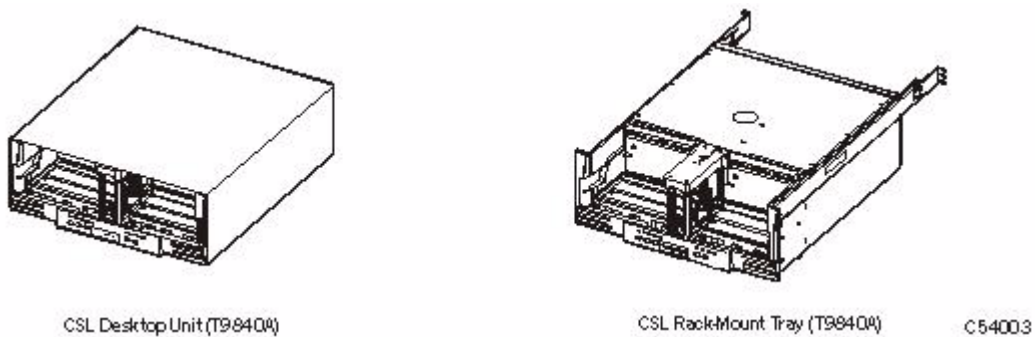


Up to six single-drive and/or dual-drive trays may coexist in a single cabinet, such as the stand-alone CBNT42U rack. The tray fits in a standard 483-mm (19 in.) rack with a depth of at least 780 mm (30.75 in.).

Cartridge Scratch Loader Drive Units

The cartridge scratch loader (CSL) configuration (T9840A only) features manual/automatic/system sequencing of up to six tape cartridges. Both the CSL desktop and rack-mountable units are shown in the following figure.

FIGURE 1-4 CSL Desktop and Rack-mount (T9840A)



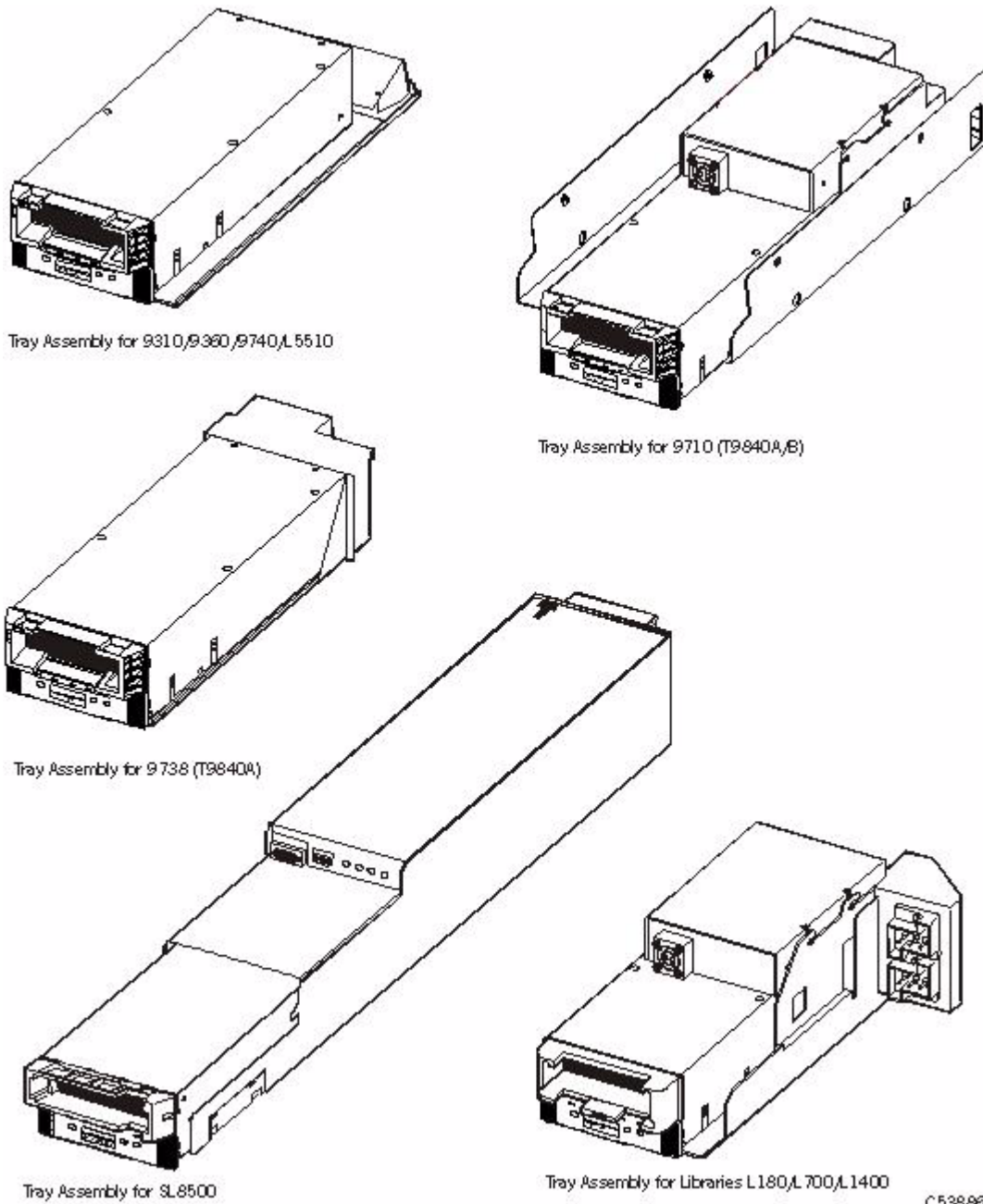
The desktop version comprises a single drive, power supply, and loader mechanism contained in a cabinet with rubber feet. The rack-mountable version differs only in the cover, and the addition of rail assemblies for rack mounting. A rack, such as the CBNT42U, can hold up to six CSLs or combinations of CSLs and manual load drive units.

Library Attached Configurations

The drive is available in configurations for various libraries; several are shown in the following figure.

Refer to the appropriate library documentation for additional information.

FIGURE 1-5 T9840 Tape Drive Library Attached Configurations



Interfaces

Host interfaces for the T9840 Tape Drive include:

- Enterprise Systems Connection (ESCON) [single port connector]
- Fibre Channel (FC)
- Fibre Connection (FICON)
- Small computer system interface (SCSI) - T9840A/B only [single port connector]

Note – Not all interfaces are available for all configurations, see [TABLE A-8 on page 84](#).

The T9x40 tape drives support connection of both ports in accordance with ANSI Fibre Channel specifications. Refer to the InterNational Committee on Information Technology Standards [INCITS] documents:

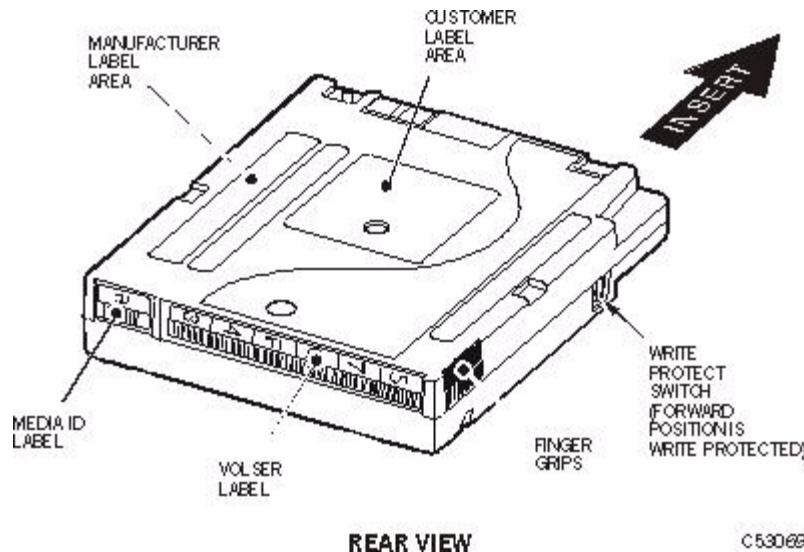
- SCSI Primary Commands -3, Section 5.6
- Fibre Channel Protocol -3

Note – The drive will support two hosts, provided that they honor the “reserve/release” or the “persistent reserve/release” specifications.

Cartridges

The StorageTek 9840 tape cartridge shown in the figure below has the supply and takeup reels inside the cartridge which permits midpoint loading and fast access to data files.

FIGURE 1-6 9840 Tape Cartridge



The 9840 data cartridge has a typical capacity of:

- 20 GB, uncompressed when written by a T9840A or T9840B drive
- 40 GB when written by a T9840C drive (PRML data format)
- 75 GB when written by a T9840D drive (PRML data format)

See [TABLE 1-2 on page 25](#) for information regarding read and write compatibility.

The 9840 cleaning cartridge is capable of 100 cleaning operations. The media identification labels for 9840 Tape Cartridges have unique letters:

- R - 9840 standard and VolSafe data tape cartridges
- U - cleaning cartridge used with T9840A, T9840B, and T9840C drives
- Y - cleaning cartridge used with the StorageTek T9840D tape drive only

A variation of the data cartridge is available for VolSafe (append-only) use.

- The manufacturer and media identification labels are yellow (9840A/B), green (9840C), or purple (T9840D).
- The write-protect switch is yellow (9840A/B), green (9840C), or purple (T9840D).
- A model-unique dimple pattern exists on the bottom of the cartridge case.

To place orders electronically, send an e-mail to: us.mediaorders@sun.com, EMEA.mediaorders@sun.com, or LA.mediaorders@sun.com

Mixed Media Management

Since T9840A, T9840B, T9840C, and T9840D drives use the same 9840 standard data cartridge, you should take extra media management measures when:

- T9840C drives co-exist in the same library system with T9840A/B drives
- T9840D drives co-exist in the same library system with T9840A/B/C drives

The extra measures essentially involve creation and management of separate media pools/sub-pools for:

- T9840A/B formatted/written data cartridges
- T9840C formatted/written data cartridges
- T9840D formatted/written data cartridges

Guidelines for creation and maintenance of media pools/sub-pools are located in ACSLS, HSC, and independent software vender (ISV) documentation sets.

TABLE 1-2 Cartridge Read/Write Compatibility

Compatibility	Drive Model			
	T9840A	T9840B	T9840C	T9840D
Read a cartridge formatted by:	T9840A and T9840B	T9840A and T9840B	T9840A, T9840B, and T9840C	T9840A, T9840B, T9840C, and T9840D
Write or append data to a cartridge formatted by:	T9840A and T9840B	T9840A and T9840B	T9840C	T9840D

T9840A/B tape drives cannot read from a data cartridge written by either T9840C or T9840D tape drive because of the higher-density formats, and must have an appropriate drive firmware level to even identify the higher-density data cartridges:

- T9840A:
 - R1.33.103, or higher, to identify a T9840C written cartridge
 - R1.41.105, or higher, to identify a T9840D written cartridge
- T9840B:
 - R1.33.303, or higher, to identify a T9840C written cartridge
 - R1.41.305, or higher, to identify a T9840D written cartridge
- T9840C - R1.41.505, or higher, to identify a T9840D written cartridge

Without the appropriate drive firmware level, a T9840A/B drive would consider a higher-density formatted cartridge blank and available for scratch. T9840A/B drive attempts to read the data from an identified higher-density data cartridge will fail.

The T9840C or T9840D tape drive can read data from a tape cartridge written by a T9840A/B tape drive in the low-density format, but does not append data to that cartridge. An attempt to append a low-density data cartridge on a T9840C or T9840D drive will fail, and sense byte data indicates an error (similar to that of a file-protected data cartridge).

Note – For additional information about mixed-media management see [“Cross-Density MIR Processing”](#).

Media Information Region

The T9840 tape drives use information recorded on each tape cartridge to access and manage that tape cartridge while it is loaded in the drive. This information is recorded at the beginning of the tape in an area known as the Media Information Region (MIR). The information contained in the MIR falls into two major categories:

- **Statistical Counters**

Statistical counters include read/write activity, error activity, cumulative mounts and other information that reflects tape cartridge usage.

- **Data Pointers**

The data pointer information is basically a directory (map) used to locate the data on the physical tape media. Since user data is compressed and written in drive controlled blocks on the tape, a map is needed to efficiently locate the data after it is written. This map provides an index between user block ID's and the physical block on the tape media. Once the data is written, the drive accesses this map to optimize access to the user data.

A read to a user block ID is translated to the physical location on the tape media, and the drive determines the quickest method to read the block. If the block is some physical distance from the current location, a calculation results in a high-speed locate to the block location and is followed by a normal speed read.

The existence of the MIR is usually transparent to the user unless the MIR has a problem. This could occur if the MIR update fails during a dismount. The impact of an invalid MIR occurs in several areas. Since the MIR enables high speed positioning, an invalid MIR forces all operations to a slow speed mode. This has no impact on a sequential read from the beginning of the tape. However, an operation that could use high-speed locate defaults to a sequential slow speed read to the requested block, which can result in a longer processing time.

An invalid MIR might be suspected if you observe poor performance on a specific tape cartridge. The T9x40 drive also posts a 36B2 informational FSC whenever a tape cartridge with an invalid MIR is loaded.

The following sections describe MIR processing and some potential implications of MIR problems.

Normal MIR Processing

Every time a tape cartridge is loaded, the MIR is read from the tape media and saved in the drive memory. When the MIR is loaded in drive memory, an invalid flag is written in the tape-resident MIR. The tape-resident MIR is marked invalid because it does not reflect results of activity in the current mount session. All subsequent MIR accesses during the current mount session are saved in the memory-resident MIR.

When the tape cartridge is unloaded, as part of the unload routine, the memory-resident MIR information is written to the tape-resident MIR and the MIR invalid flag is turned off. A copy of the memory-resident MIR is stored in the drive's persistent memory (EEPROM) and used should the MIR fail to be written because of a power failure or firmware problem (SNO or should not occur).

Cross-Density MIR Processing

Whenever a data cartridge is loaded that was written in a data density format that is different from the one used when the drive writes, model-specific MIR processing occurs. The following explanations cover:

- T9840D tape drive loaded with a lower-density cartridge
- T9840C tape drive loaded with a T9840D-written data cartridge
- T9840C tape drive loaded with a T9840A/B-written data cartridge
- T9840A/B drive loaded with a high-density tape cartridge

T9840D Tape Drive Loaded With a Lower-Density Cartridge

When the T9840D drive detects that a data cartridge is loaded, the drive first looks in the designated location for a T9840D MIR. If a T9840D MIR is not found, the drive then checks for a T9840C MIR and, if its not found, it then checks for a T9840A/B MIR. The processing for these operations is described in the sections below. If the MIR cannot be read, the T9840D drive attempts to recover its contents using any portions of the MIR that can be read and the contents of the Format Identity Burst (FIB).

Note – The FIB is written in a format that can be read by T9840C and T9840A/B drives if they have an appropriate level of firmware.

The T9840D uses a memory-resident copy of the MIR to access user data pointers for read-only functions. Statistical counters are continuously updated in the memory-resident MIR with any drive activity.

When the data cartridge is unloaded, the T9840D drives writes the FIB to the high-density MIR location.

Notes:

- When the T9840D drive identifies the data cartridge as a low-density data format, i.e., written by a T9840C or T9840A/B, it displays Ready L on its operator panel.
- The T9840D tape drive cannot correct or cause an invalid MIR on a T9840C written data cartridge. A T9840C MIR can only become invalid during a mount on a T9840C drive.

- The T9840D tape drive cannot correct or cause an invalid MIR on a T9840A/B written data cartridge. A T9840A/B MIR can only become invalid during a mount on a T9840A/B drive.
- If a T9840C or T9840A/B written data cartridge has an invalid MIR, its contents cannot be read into the T9840D drive's memory and the user data pointer information will be unavailable. This causes a performance degradation.

T9840C tape Drive Loaded With a T9840D Data Cartridge

The T9840C drive will not be able to read the MIR written by a T9840D drive. Because it was written by a T9840D there will be no T9840A/B MIR. The T9840C drive will read the Format Identity Burst (FIB) written by the T9840D tape drive.

Note – The T9840C drive identifies the tape cartridge as high-density data format, and Ready H (high-density) appears in the T9840C operator panel display.

Since the T9840D written data cannot be read by the T9840C tape drive, the only actions available to the drive are:

- Unload the data cartridge
- Reclaim the data cartridge

If the data cartridge is reclaimed, the T9840C drive will include the statistical information from the T9840D FIB when it writes the T9840C MIR and FIB.

T9840C Tape Drive Loaded With a T9840A/B Data Cartridge

When a data cartridge is loaded into a T9840C, the drive first looks for a MIR at the high-density MIR designated location; and will not find a MIR if the data cartridge is in low-density data format. The high-density MIR location will be blank if it is the first time the low-density data cartridge is loaded into a T9840C drive. This causes the drive to look at the low-density MIR designated location, where it finds a MIR and reads it into drive memory (invalid flag is not set).

The T9840C drive uses the memory-resident MIR for user data pointers for read-only functions. During the first mount session, the drive captures statistical counters from the MIR into a memory area called the Format Identity Burst (FIB), and continues to build it with drive activity.

Note – The FIB is written in a special format which can also be read by T9840A/B drives with the appropriate drive firmware level.

During the unload routine, the T9840C drive writes the FIB to the high-density MIR designated tape location. The tape-resident, low density MIR remains intact and valid.

Notes:

- The T9840C drive identifies the tape cartridge as low-density data format, which results in the display of Ready L (low-density) on the T9840C operator panel.
- The T9840C tape drive cannot cause nor correct an invalid MIR on a low-density data cartridge. A low-density MIR can only become invalid during a mount on a T9840A/B tape drive.

- If a low-density data cartridge MIR is invalid, it is not read into the T9840C drive memory, and not available for user data pointer information. Therefore, T9840C performance for a low-density data cartridge with an invalid MIR is degraded.
- Since a T9840C tape drive cannot correct nor rebuild a low-density data cartridge invalid MIR, the only options for increasing performance are:
 - i. Migrate the data to a high-density format cartridge, using a copy utility with a second T9840C drive
 - ii. Rebuild the MIR with a T9840A/B tape drive
 - iii. Operate with degraded performance

On subsequent mounts, the T9840C drive first sees the tape-resident FIB, identifies the tape cartridge as low-density, and reads the low-density MIR into drive memory. At dismount, the T9840C updates the tape-resident FIB with cumulative data, including newer statistical data from the MIR, if the cartridge had been loaded into a T9840A/B drive since the last mount in a T9840C drive.

T9840A/B Tape Drives

When a high-density data cartridge is loaded into a T9840A/B drive with appropriate level firmware, the drive looks for a low-density MIR at the default location but finds a Format Identity Burst (FIB), which identifies the cartridge as formatted in a high-density. Since the T9840A/B drive cannot read nor write higher-density data, subsequent normal read/write attempts will fail unless the cartridge is being reclaimed.

A T9840A/B drive cannot update statistical data, such as the mount/dismount count in the FIB. Therefore, cumulative statistical data will not include mounts into a T9840A/B drive as long as the tape cartridge is in high-density format.

The tape cartridge could be deliberately over-written in low-density data format from the beginning-of-tape point, or reformatted to low-density data format by the offline Drive Operation, Make Data Tape submenu. Either case over-writes the FIB with a low-density MIR, and erases the high-density MIR. Such a reformatted data cartridge is no longer identifiable as a high-density data cartridge, but does include the statistical data read from the FIB.

When a low-density data cartridge with a tape-resident FIB (created by a T9840C or T9840D drive) is loaded into a T9840A/B drive with appropriate level firmware, the MIR is read into drive memory and an invalid flag is written to the tape-resident MIR. During the unload routine, the T9840A/B drive compares statistical data in the tape-resident MIR with statistical data in the tape-resident FIB, and uses the latest data to calculate the statistical data update into the new tape-resident MIR.

Notes:

- The T9840A/B drive shows Ready H on the operator panel when a cartridge written by a T9840C or T9840D drive is loaded.
- If the last load was into a T9840A/B drive, the tape-resident MIR will contain the latest statistical data; whereas, if the last load was into a T9840C or T9840D drive, the tape-resident FIB contains the latest data.
- In order to recognize a high-density data cartridge written by a T9840C or T9840D drive, and to properly handle a low-density data cartridge that has been previously loaded into a T9840C or T9840D drive, T9840A/B drives must have the appropriate drive firmware level, see [“Mixed Media Management” on page 25](#).

- If a T9840A/B drive has down level drive firmware, a high-density data cartridge would be considered as a blank tape cartridge; and, a low-density data cartridge would lose statistical data stored in the FIB during a previous mount into a T9840C drive.

Exceptional MIR Processing

There are instances when the MIR process departs from the normal.

- Write Protect

When the tape cartridge is write protected, neither the MIR nor FIB is rewritten and statistical information for that mount is not captured. If the tape cartridge is in a library that logically write protects the tape cartridge, the MIR is updated as normal on each dismount.

- Major Error/Power Off

If a tape cartridge is mounted and the drive SNO's (should not occur error) or loses power, the drive memory-resident MIR is not written to the tape media. Instead after IPL (initial program load), the drive will read the existing MIR on tape. Special data is saved in EEPROM that will allow the existing MIR to be updated and rewritten to the media with the valid flag set. Therefore, the MIR will contain all positioning information up to the last mount and this tape will operate with mixed performance until EOD is found. T9840A/B/C drives must have the appropriate drive firmware level to update the MIR after a SNO or power loss, see [“Mixed Media Management” on page 25](#).

Invalid MIR Correction

Once a tape cartridge has an invalid MIR, some action is required to correct it. An invalid MIR can be corrected in several ways using the drive model that created the cartridge (for example: a T9840A/B formatted cartridge in a T9840A/B drive or a T9840C formatted cartridge in a T9840C drive).

1. Reading to the end of existing data (EOD) creates a complete and valid MIR. This is done at normal read speeds and could take up to 45 minutes, for a full 9840 tape cartridge.
2. Appending to the tape cartridge will also create a valid MIR, although a slow speed read must first be done to the end of existing user data.
3. The Drive Operation Menu (offline) “Rebuild MIR” utility will sequentially read from block ID 0 to the EOD. The MIR will be complete and valid when the tape cartridge is unloaded (see [“Build MIR” on page 69](#)).
4. The Drive Operation Menu (offline) “Make Data Tape” utility will reformat the tape cartridge with a valid MIR. However, all previous data will be lost (see [“Reformat a Cartridge” on page 68](#)).

The memory-resident MIR is always rebuilt to the last block read, on-the-fly, during normal read/write functions. When the partially rebuilt memory-resident MIR is written to the tape during the download process, the invalid flag is reset because the MIR is now partially valid. This can result in seemingly conflicting performance from a single tape.

Notes:

- If a tape cartridge with a partially valid MIR is mounted for long periods of time with locates to different locations, locate times will be inconsistent depending on whether the locate is to a record already in the rebuilt MIR, or if some low speed locate is required.
- The longer the tape cartridge is mounted and the more activity occurs, the more rebuilt the memory-resident MIR becomes. Once the EOD is reached, the MIR is complete and valid.

Operator Controls

Several methods are available that enable you to determine the state of the tape drive, perform operator tasks, or view and alter drive configuration settings.

All T9840 drives have a physical operator panel. You can use this panel to access the drive menu system, to view drive indicators, to access front panel switches, and to load a tape cartridge. In the rack-mounted drive, you should always have clear access to the panel.

For a library attached drive, you must open the library door to access the drive operator panel. Several library models provide the capability to obtain information about the drive from the library or a software application. The library console for the SL8500 and SL3000 libraries is introduced in this chapter.

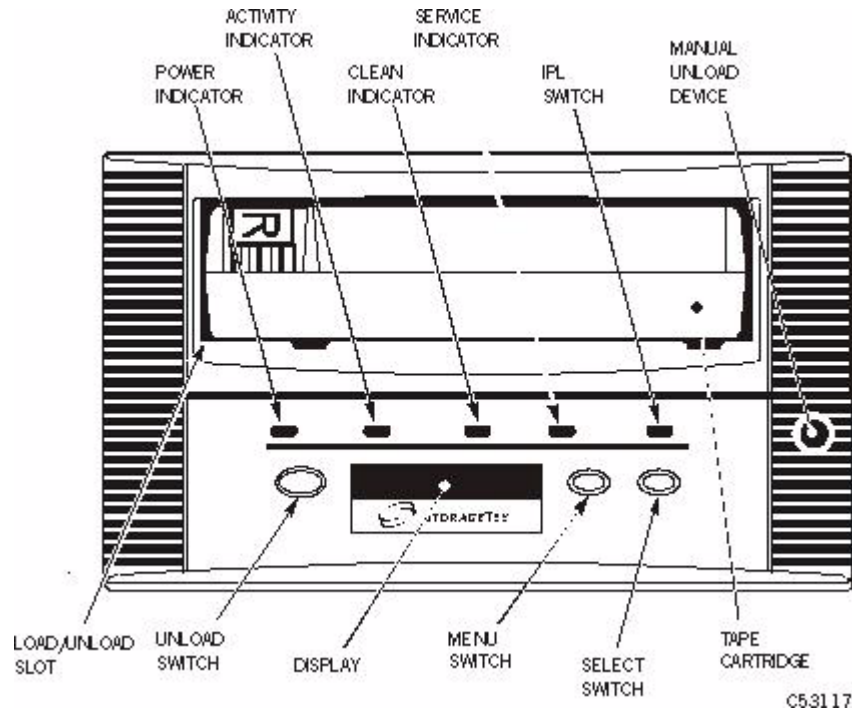
The T9840D tape drive is supported by the Virtual Operator Panel application (release 1.0.12 or higher). The VOP application is introduced in this chapter.

Information in chapters 3 and 4 of this document rely on use of the physical operator panel.

Front Panel

The T9840 tape drive front panel is the operator's interface with the drive. The panel features: a cartridge load/unload slot, four indicator lights, four switches, a manual unload device, and an alphanumeric display with an optional tape bar (FIGURE 2-1).

FIGURE 2-1 T9840 Operator Panel



Chapter 4, "Operator Tasks" describes how to use the switches to perform operations. Chapter 5, "Indicators and Messages" describes how to interpret the indicators and display messages.

Load/Unload Slot

The load/unload slot is the opening in the front panel that accepts 9840 Tape Cartridges that you load by hand, that a T9840A CSL loads, or that a library robotic hand loads. After a tape cartridge is inserted, the loader mechanism raises to engage the tape cartridge and draw it into the loaded position. After an unload command, the loader mechanism rewinds the tape to the mid-point and ejects the cartridge into the slot for removal.

Indicators

TABLE 2-1 describes T9840 Tape Drive operator panel indicators.

TABLE 2-1 Operator Panel Indicators

Indicator	Indication	Explanation
<i>power</i> (green)	Off: Flashing: Flashing does not stop: On (steady):	Power is not applied. Unit is powering up, performing IPL, or collecting dump data. IPL failed. Power applied and IPL complete.
<i>activity</i> (green)	Off: Flashing: On (steady):	Tape cartridge is not loaded. Tape cartridge is loaded and the tape is moving. Tape cartridge is loaded and the tape is stopped.
<i>clean</i> (amber)	On (steady):	Drive requires cleaning because: 1. A firmware-defined length of tape has passed over the R/W heads. 2. A read/write perm (permanent error) is detected, and at least one-half the firmware-defined length of tape has passed over the R/W heads. See “Clean the Drive” on page 65 for use of cleaning cartridges.
<i>service</i> (red)	Off: Flashing: On (steady):	Error(s) have not been detected. Error(s) detected and dump data has been saved to the EEPROM. The message <code>DumpAgain?</code> displays if the drive detects the same Fault Symptom Code (FSC) within one minute. Manually initiate IPL. If the IPL does not eliminate the problem, contact authorized service personnel. A hardware error is detected and the drive is not functional. If a manually initiated IPL does not eliminate the problem, contact authorized service personnel

Manual Unload Device

The manual unload device (MUD) is a mechanism to manually remove a tape cartridge from the drive when:

- The Unload switch action fails
- Power is not available for the drive

You use a screwdriver to engage the MUD and position the cartridge to be manually pulled out of the load/unload slot.

Note – Only qualified service personnel should operate the MUD.

Display

The operator panel has a 10 segment, alphanumeric display that indicates:

- Drive status
- Menu selections and configuration choices
- Error messages and fault symptom codes
- Host-generated messages
- Tape bar, if activated

The display is formed by a horizontal array of 10 segments. Each segment is formed by an array of 35 dots—five wide and seven high (FIGURE 2-2 on page 37). Each array can form an uppercase or lowercase alpha character, a numerical digit, or a special character, such as an asterisk (*). When the tape bar is not activated, the lighted segments and dots form text messages. The text messages may display steadily, flashing, or alternating with other messages.

Tape Bar

The tape bar uses the operator panel display to show the amount of tape that has been written and read. The tape bar is a configuration option that must be activated by authorized service personnel. Once activated, it appears on the operator panel display when the drive is reading or writing.

When the tape bar is activated, the segments and dots simultaneously show the percentage of the total tape length that has been written and read. Each dot represents 2% of the tape length; each segment represents 10%.

Note – The tape bar gets its information from the media information region (MIR) on the tape. The MIR is written to the tape when the tape is unloaded. If the MIR is bad, the tape bar does not display. To rewrite the MIR, see “Build MIR” on page 69.

Write Bar

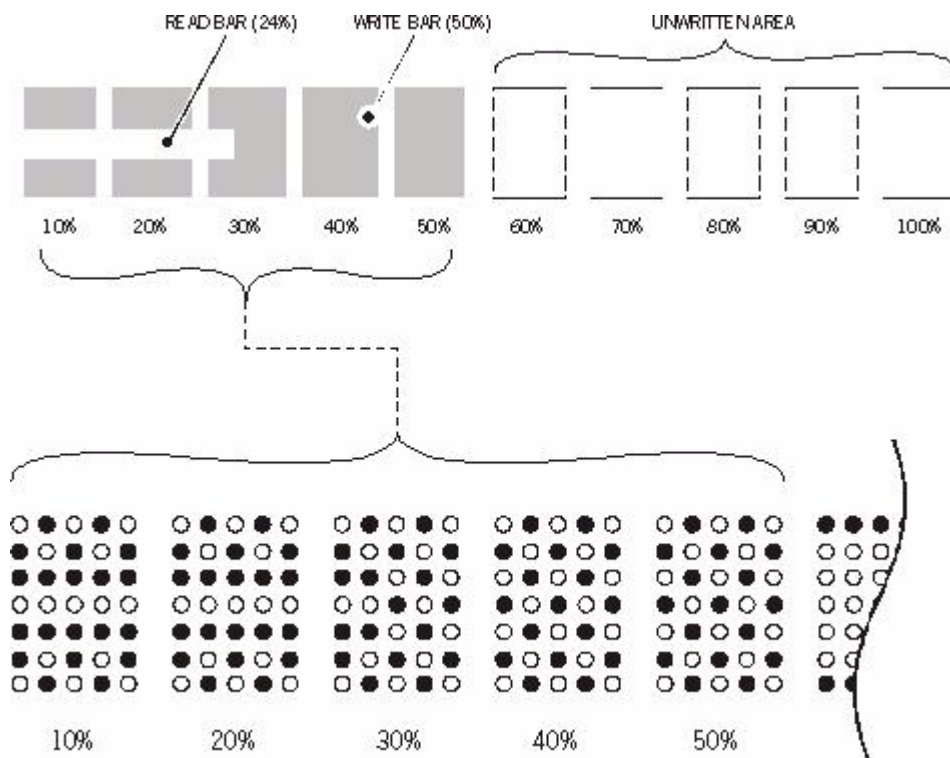
As data is written to tape, the lighted dots forming the write bar appear at the left side of the display and advance to the right. The write bar uses the full height of the display. As the dots fill the display, note that only every other dot is lighted. The point where the write bar ends is the percentage of tape written.

Read Bar

As data is read from the tape, the read bar appears in the center of the write bar as a single row of unlighted dots. This row is bordered above and below by single rows of lighted dots. The read bar also begins at the left side of the display and advances to the right. The point where the read bar ends is the percentage of tape that has been read.

FIGURE 2-2 on page 37 is a simplified and an actual view of a tape bar that shows a tape that is 50% written and 34% read.

FIGURE 2-2 Tape Bar



C53412

Switches

TABLE 2-2 describes T9840 operator panel switch functions.

TABLE 2-2 Operator Panel Switches

Switch	Description
Menu	Pressing the Menu switch accesses the menu system, steps through a series of submenus, or answers No to a displayed question. Pressing the Menu switch the first time causes the Online/Offline selection to display. See Chapter 3, "Menus" for information/guidance with the menu system.
Select	Pressing the Select switch accesses a displayed submenu, steps through possible options of a submenu, or answers Yes to a displayed question. When the drive is Online and in a view only submenu, pressing Select is the same as pressing Menu.
IPL	Pressing the IPL switch causes the drive to execute an initial program load (IPL) sequence. During IPL, the drive firmware loads from non-volatile memory in an EEPROM, to RAM. The same process occurs at power-on.
Unload	Pressing the Unload switch causes the tape cartridge to rewind, unthread, and unload; ending with the tape cartridge ejected and retrievable. If this switch is pressed during a write operation, the drive attempts to write the remaining data before it unloads. A display of UnWr xxxx (meaning Unwritten Data, where xxxx is a fault symptom code) means that the attempt failed and some data remains unwritten to tape. <hr/> Note – Pressing Unload a second time causes the unwritten data to be lost. Before you press Unload again, see UnWr xxxx on page 75 . <hr/>

Front panel switches are color coded by drive model:

- T9840A - Yellow
- T9840B - Purple
- T9840C - Green
- T9840D - Deep Purple

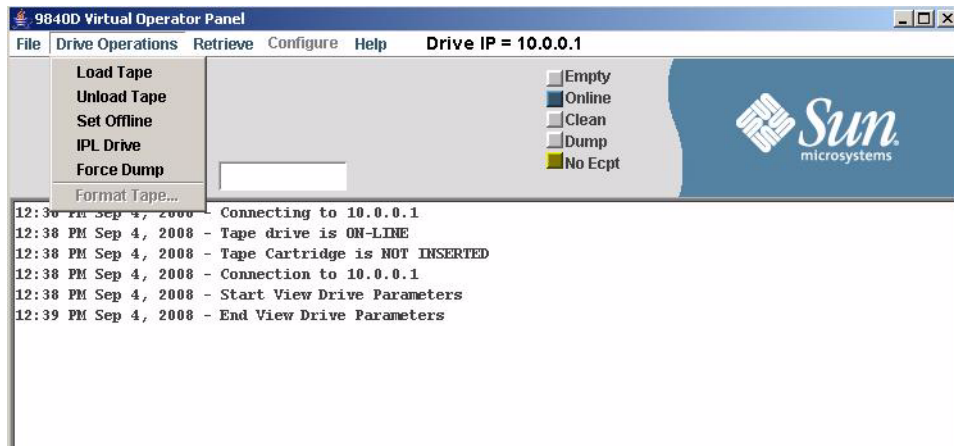
Virtual Operator Panel

The Virtual Operator Panel provides a graphical user interface to the T9840D tape drive. The interface contains several menus, a set of indicators, two small display areas, and a text pane (see [FIGURE 2-3](#)).

The Drive Operations menu provides commands to perform actions that are similar to the physical operator panel switches.

The Retrieve and Configure menus provide commands to allow you to access functions that are equivalent to the online and offline drive menu system.

FIGURE 2-3 Virtual Operator Panel



See the *Virtual Operator Panel User's Guide* (P/N 96179) for a full description of the application.

Note – VOP version 1.0.13 in conjunction with the appropriate drive code level supports the use of an IPv6 address.

Library Controls/Indicators

When a T9840 Tape Drive is attached to the SL3000 or SL8500 Modular Library System, you cannot access the drive operator panel on the front of the drive without opening the library door. The drive tray rear panel does provide some indicators and an Ethernet port.

SL8500/T9x40 Drive Tray

FIGURE 2-4 illustrates the power switch and indicators on the rear panel of the SL8500/T9x40 drive tray.

- The power (PWR) switch is a momentary push-switch that manually changes the state of the internal power supply PWA.
- The green PWR LED indicates the power state of the tray:

Not lit: Power is not on, nor is 48 Vdc input power applied to the tray

Blinking: Power is not on, but 48 Vdc input power is applied to the tray

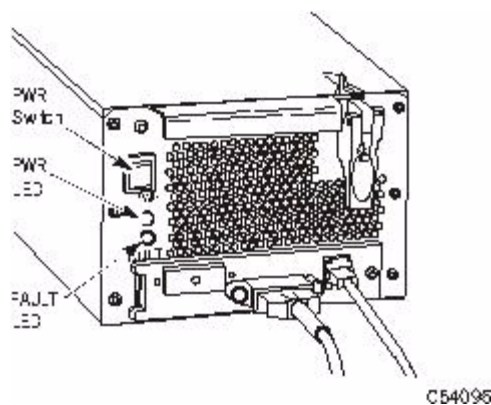
Steady: Power is on, and power supply output voltages are normal

- The red FAULT LED indicates anomalies within either the internal power supply PWA or with the drive tray fan assembly.

Notes:

- Library firmware controls the drive tray power and indicators.
- The red FAULT LED *does not* indicate drive-related anomalies.
- Pressing the SL8500 drive tray PWR switch while the tray is powered *does not* cause an interrupt signal to the library firmware. Wait at least 10-seconds before you press the PWR switch to manually power-on the drive. Otherwise, the library's drive audit will be corrupted. When the red FAULT LED comes on (after power-off), it is safe to re-push the PWR switch to reapply power to the drive tray.

FIGURE 2-4 SL8500/T9840 Drive Tray Rear Panel



StorageTek Library Console

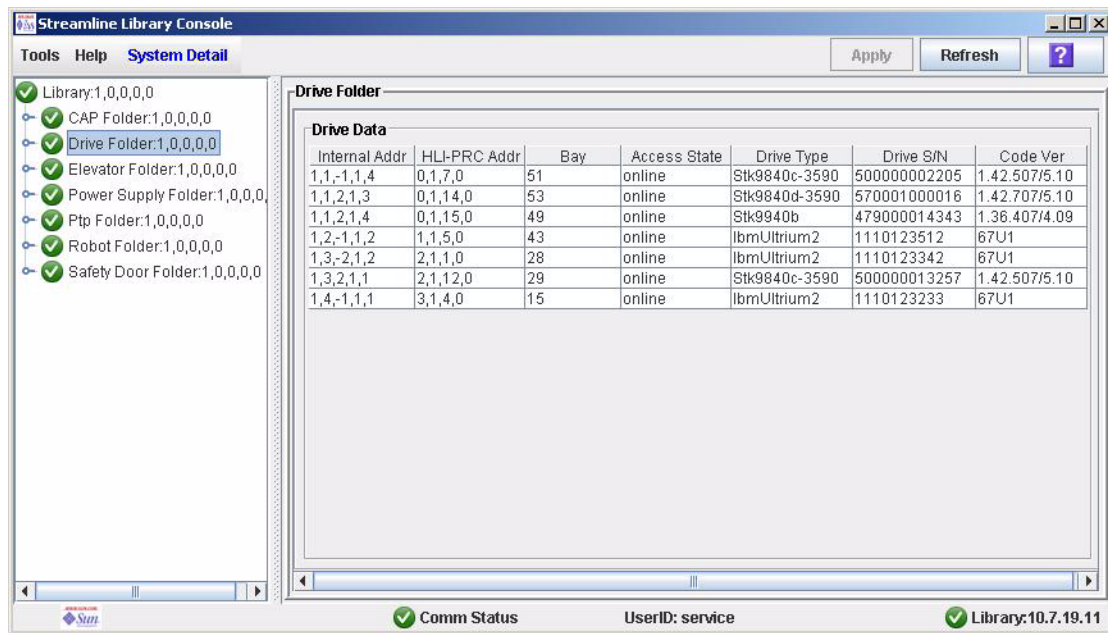
Although you cannot access the T9840 Tape Drive Operator Panel to view menu items, you can use the StorageTek Library Console (SLC), local or remote, to display data pertinent to the attached drives.

Note – General guidance on using the SLC application is available within the SLC “Help” function (click the ? button).

Drive Folder Top Level Display

FIGURE 2-5 shows an overall summary of the Drive Folder. The left window pane displays library folders in a tree format, which you can expand or collapse.

FIGURE 2-5 SL8500 SLC Drive Folder Display



The right window pane summarizes drive data in a tabular format, whether you expand or collapse the drive folder tree view. You can customize how the data is displayed, by sorting the rows, relative to a selected column, and/or reordering/resizing the columns.

Notes:

The “HLI-PRC Addr” column displays the host software logical address for the drive, relative to the specific host software.

The “Access State” column is online/offline relative to the library drive controller, and not relative to the drive, menu-driven online/offline.

The “Code Ver” column displays the drive’s current firmware level, including the drive interface sub-module level. Interface level 4.06, or higher is required for proper SL8500 operation.

Drive Specific Displays

When you select an individual drive in the tree pane, the right pane changes to display drive-specific data instead of the drive folder summary data.

You can view and use the SLC drive displays to develop reports to assist with the analysis of drive-related problems.

In SLC 4.10, the Status, Properties, and Display tabs are available.

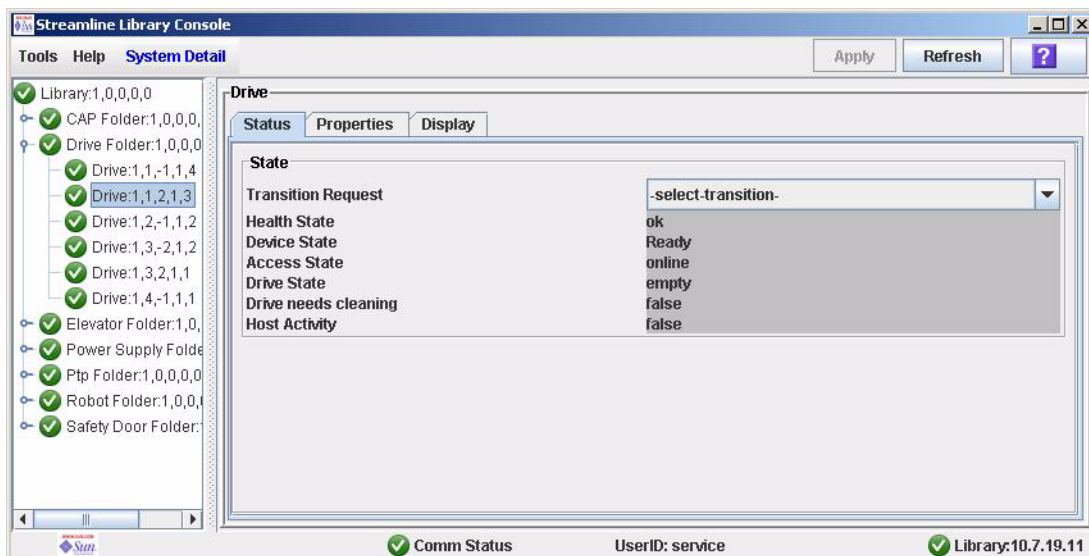
Note – The drive displays are evolving. New releases might contain an additional tab or expanded information elements. Therefore, what is presented here is for illustrative purposes only. No attempt will be made to keep the examples current.

Status

The tab shown in [FIGURE 2-6](#) displays key drive status data: Health State, Device State, Access State, Drive State, Drive needs cleaning, and Host activity.

Note – The list of states is variable based upon the drive, library, and SLC firmware.

FIGURE 2-6 SL8500 SLC Drive Status Tab

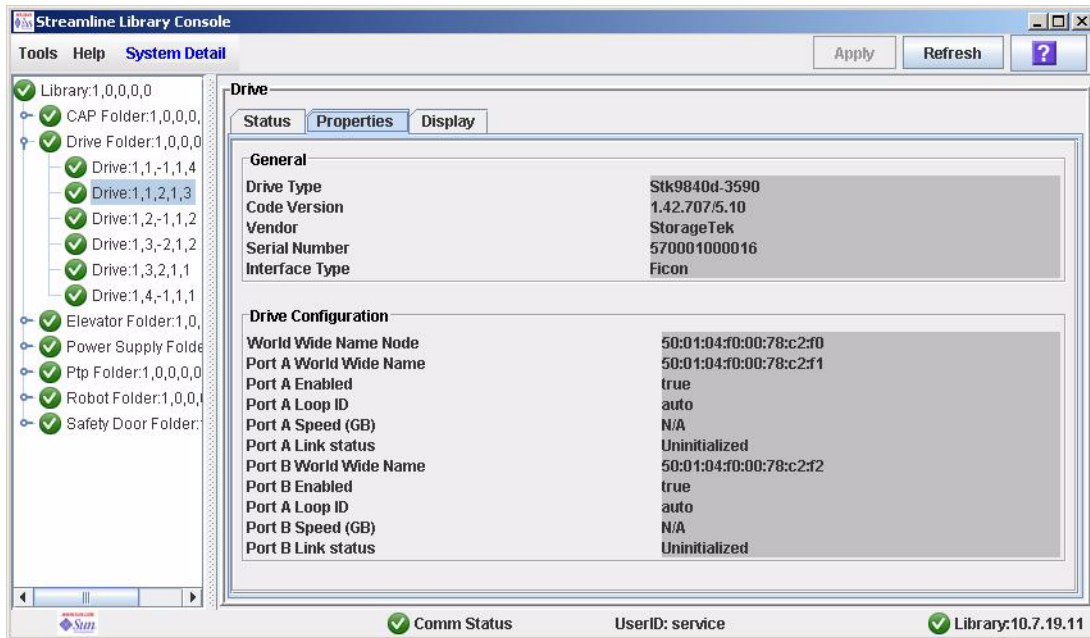


Properties

The General block in the Properties tab, [FIGURE 2-7](#), displays some of the data from the drive folder summary plus the drive interface type (not displayed in the summary).

The Drive Configuration block displays selected configuration items, such as World-Wide-Name (this is a dynamic value, dWWN, that is auto-set by the library relative to the drive bay number).

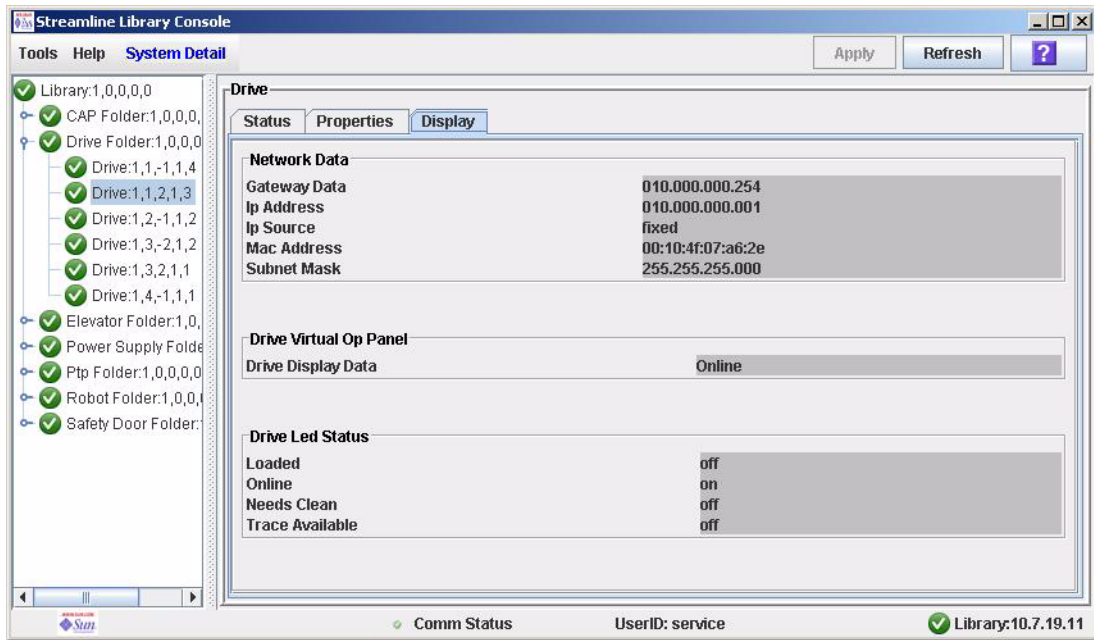
FIGURE 2-7 SL8500 SLC Drive Properties Tab



Display

The Display tab, [FIGURE 2-8](#), contains three sections: Network Data, Drive Virtual Op Panel, and Drive LED Status.

FIGURE 2-8 SL8500 SLC Drive Display Tab



Menus

The menu system provides the operator and service representative a means to determine drive configuration settings, access drive utilities, and display the drive firmware level at the drive operator panel. The menu system consists of information or values, submenus, and options that appear in the display section of the operator panel (see [“Display” on page 36](#)). You navigate through the menu system by pressing the Menu and Select switches on the operator panel (see [“Switches” on page 38](#)).

The menu system information and guidelines are provided in the following order:

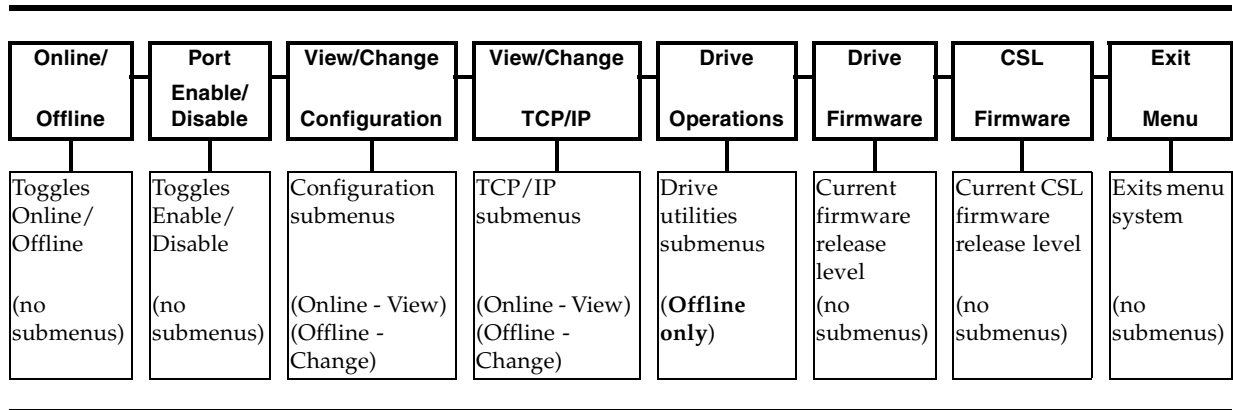
1. [“Menu Structure Overview”](#)
2. [“Online Menu Operation” on page 47](#)
3. [“Offline Menu” on page 56](#)

Menu Structure Overview

The drive has two main menus:

- When the drive is online, you will use the main menu primarily for viewing the drive configuration settings.
- When the drive is offline, you will use the main menu primarily for changing the drive configuration settings or for performing drive operations.

The illustration below is a high-level depiction of the common elements comprising the main menu system. The left column shows the first item in the menu while the right column shows the last item in the menu system.



The drive is available with several data path interfaces. The main menu items do have some variation based upon the particular interface, and those variations are presented in later sections of this chapter.

Note – The Port Enable/Disable item does not appear as a main menu item for all drive interfaces.

Although the illustration menu titles contain full words, the actual presentation on the display is an abbreviation because the display is limited to ten characters. The Configuration, TCP/IP, and Drive main menu items contain a ? as the last character in the display. The ? signifies that a submenu is available.

You will use the Menu and Select switches to navigate through the menu system.

- Press Menu (No) to bypass and advance to the next menu.
- Press Select (Yes) to enter the submenus.

When you press the Menu switch on the operator panel, the first menu provides selection of Online (default) or Offline menus.

- Press the Select switch to toggle between online mode and offline mode as desired, then press the Menu switch to advance to the second menu item.

Note – If you press the Menu switch again, you will bypass the second menu item and advance to the third menu item.

View/Change Configuration menus display drive configuration settings (view only) when online, or allow drive configuration changes when offline. Press Menu to advance the display to the next menu. Press Select to enter the submenu.

View/Change TCP Configuration menus display the drive Transmission Control Protocol /Internet Protocol (TCP/IP) configuration settings (view only) when online, or allow TCP/IP configuration changes when offline. Press Menu to advance the display to the next menu. Press Select to enter the submenu.

Drive Operations menus (*offline only*) provide drive utilities. Press Menu to advance the display to the next menu. Press Select to enter the submenu.

The Drive Firmware menu (*view only*) displays the current drive firmware release level.

The Exit Menu allows you the choice to either return to the Online/Offline selection menu or to exit the menu system. The last character in the Exit menu is a ? that signifies that you must make a choice. Press Select to exit the menu or press Menu to repeat the main menu.

Note – The Virtual Operator Panel application provides the capability to view the configuration settings of a T9840D tape drive. You might prefer to use this method instead of the physical drive panel. See the *Virtual Operator Panel User's Guide* (P/N 96179) for pertinent information.

Online Menu Operation

When the drive is Online, the menus shown in [FIGURE 3-1 on page 48](#) are available. Press Menu to advance to the View Configuration menu.

- View the drive configuration
- View the TCP/IP configuration (N/A for the T9840A)
- View the drive firmware level
- View the ASIC firmware level (FICON drives only)
- View the CSL firmware level

Note – Individual submenu items in the illustration are based upon the T9840A/B/C drives using a code level prior to 1.42.x07.

The content of the figure was created before the T9840D tape drive was available. The note on the TCP/IP menu does not apply to the T9840D drive because the drive Ethernet port can be used with the Crypto Key Management System 2.0.

View Configuration Menu

The View Configuration menu is presented in more detail in the following sections:

- [“Fibre Channel View Configuration Menu Tree \(T9840A/B/C\)” on page 49](#)
- [“Fibre Channel View Configuration Menu Tree \(T9840D\)” on page 50](#)
- [“SCSI View Configuration Menu Tree” on page 51](#)
- [“ESCON View Configuration Menu Tree” on page 52](#)
- [“FICON View Configuration Menu Tree \(T9840B/C\)” on page 53](#)
- [“FICON View Configuration Menu Tree \(T9840D\)” on page 54](#)

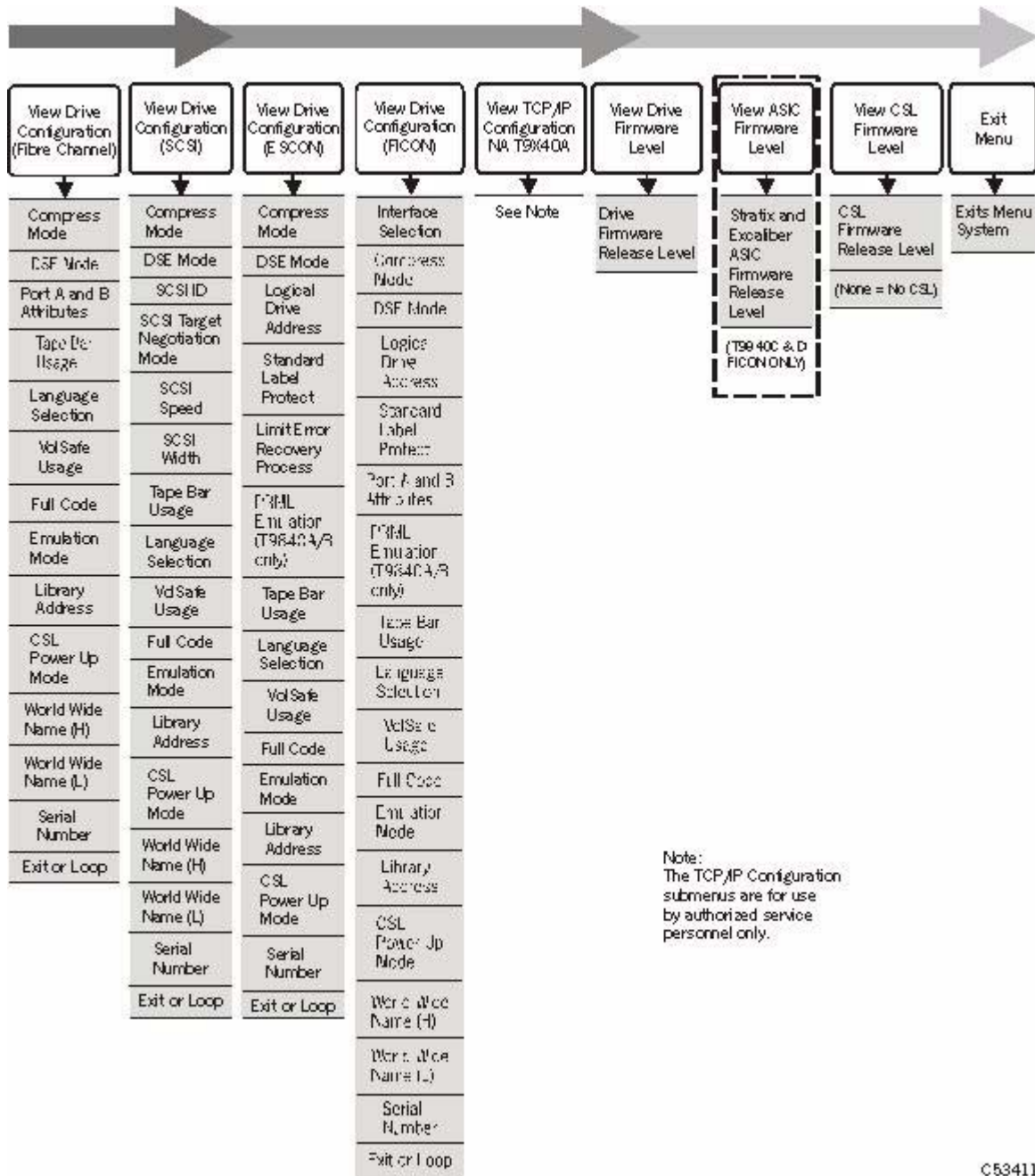
The basic format is a text-based representation of the menu structure with indentation levels to indicate second and third levels (submenus). There is also a listing of options and other pertinent information.

Note – Code level 1.42.x07 was used as the basis for documenting the View Configuration menu. Specific menu item order and options might differ if your drive is using an older or newer code level.

View TCP/IP Menu

The online (view) TCP/IP menu is presented on [page 55](#).

FIGURE 3-1 Online Menus



C53411

Fibre Channel View Configuration Menu Tree (T9840A/B/C)

Use the online view configuration menu tree as a brief guide.

Online/Offline [Press **Sel**ect to toggle, then press **Menu** to set.]

Port X YYY {A/B and ENA/DIS}

View CFG ? (View Configuration) [Press **Sel**ect to enter, press **Menu** to bypass.]

Cmprss xxx {Yes/Off/No} (compression mode)

Full DSE x {Y/N} (data security erase mode)

SL Prot x {Y/N} (standard label protection mode)

View PrtA? (view current port attributes)

Hard PA xx {Y/N} (Physical Address)

PA=xx,ddd {PA=hex, decimal index} (valid only when Hard PA is yes)

Soft PA xx {HI/LO} (only when Hard PA is no)

MaxSz xxxxx {2112/2048/1280/1024/768} (maximum data frame size)

A_I=xxxxxxx (24-bit address ID - when port login is complete)

H=xxxxxxx (first half, 64-bit port node world-wide-name)

L=xxxxxxx (second half, 64-bit port node world-wide-name)

WWN Custom (only when custom or dynamic WWN is set)

View PrtB? (current port B attributes) (same sub-menus as port A)

Tape Bar x {Y/N} (tape completion indication)

English/Espanol/Francais/Italiano/Deutsch (current language)

VolSafe x {Y/N} (determines the VolSafe capability of the drive)

FullCode x {Y/N} (determines whether a full code image is in drive memory)

Emul xxxxx {STD/3590/**/3490E/**/**/**/**/**/**/**} (displays the active emulation mode)

(* = special modes, used only when directed by Engineering or Tech Support)

Lib Adr xy {FF/00-13} (2-character hexadecimal library address) manufacturing setting is FF and it must be changed to a valid address when the drive is installed in a 9310 library.

CSL Xxxxxxx {System/Auto/Manual} (CSL power up mode)

H=xxxxxxx (first half, 64-bit drive node world-wide-name)

L=xxxxxxx (second half, 64-bit drive node world-wide-name)

WWN Custom (only when custom/dynamic WWN is set)

S/N=xxxxxxx {drive serial number} (last six-characters of drive DMOD)

Exit CFG ? (exit view configuration) [Press **Sel**ect to exit, press **Menu** to return to the **View CFG ?** submenu.]

Fibre Channel View Configuration Menu Tree (T9840D)

Use the online view configuration menu tree as a brief guide.

Online/Offline [Press **S**elect to toggle, then press **M**enu to set.]

View CFG ? (View Configuration) [Press **S**elect to enter, press **M**enu to bypass.]

Intf XXXXX (FICON/FCP)

View PrtA? (view current port attributes)

A=xxxxxxxxay (24-bit address ID - when port login is complete)

B=xxxxxxxxay (when viewing port B)

SFP module parameters {2G MM0300m/2G SM10.0k}

Hard PA x {Y/N} (Physical Address)

PA=xx,ddd (PA=hex, decimal index) (only when Hard PA is yes)

Soft PA XX {HI/LO} (only when Hard PA is no)

MaxSz xxxx {2112/2048} (maximum data frame size)

H=xxxxxxxx (first half, 64-bit port node world-wide-name)

L=xxxxxxxx (second half, 64-bit port node world-wide-name)

WWN Custom (only when custom or dynamic WWN is set)

View PrtB? (current port B attributes) (same sub-menus as port A)

Emul xxxxx {STD/3590/*/*/3490E/*/*/*/*/*/*/9940A} (displays the active emulation mode)

(* = special modes, used only when directed by Engineering/Tech Support)

Cmprss Xxx {Yes/Off/No} (compression mode)

Full DSE x {Y/N} (data security erase mode)

SL Prot x {Y/N} (standard label protection mode)

English/Espanol/Francais/Italiano/Deutsch (current language)

Tape Bar x {Y/N} (tape completion indication)

VolSafe x {Y/N} (enable VolSafe - write once read many)

Full Code x {Y/N} (drive memory contains full code load)

Lib Adr xy {FF/00-13} (2-character hexadecimal library address) manufacturing setting is FF and it must be changed to a valid address when the drive is installed in a 9310 library.

CSL Xxxxxx {Y/N} (CSL operating mode - System/Auto/Manual)

H=xxxxxxxx (first half, 64-bit drive node world-wide-name)

L=xxxxxxxx (second half, 64-bit drive node world-wide-name)

WWN Custom (only when custom/dynamic WWN is set)

S/N=xxxxxx (drive serial number) (last six-characters of drive DMOD)

Exit CFG ? (exit view configuration) [Press **S**elect to exit, press **M**enu to return to the **View CFG ?** submenu.]

SCSI View Configuration Menu Tree

Use the online view configuration menu tree as a brief guide.

Online/Offline [Press **Se**lect to toggle, then press **Me**nu to set.]

View CFG? (View Configuration) [Press **Se**lect to enter, press **Me**nu to bypass.]

Cmprss xxx {Yes/Off/No} (compression mode)

Full DSE x {Y/N} (data security erase mode)

SL Prot x {Y/N} (standard label protection mode)

SCSI ID x {0-7 or 0-F} (bus address of the drive for narrow or wide bus)

Tar Neg x {Y/N} (determines if the transmission speed is negotiable)

SCSI Xxxxx {Ultra/Slow/Fast} (sets the drive transmission speed)

SCSI xxBit {16/8} (selects the drive bus width)

Tape Bar x {Y/N} (tape completion indication)

English/Espanol/Francais/Italiano/Deutsch (current language)

VolSafe x {Y/N} (determines the VolSafe capability of the drive)

FullCode x {Y/N} (determines whether a full code image is in drive memory)

Emulation Mode: (displays current emulation, based on active interface)

Emul STD/* (standard/3590/*/*/*/*/*/*/3490E/*/*/*/*/*/*/*/*/*/*)

(* = special modes, used only when directed by Engineering/Tech Support)

Lib Adr xy (2-character hexadecimal library address)

CSL Xxxxxxx {System/Auto/Manual} (CSL power up mode)

H=xxxxxxxx (first half, 64-bit drive node world-wide-name)

L=xxxxxxxx (second half, 64-bit drive node world-wide-name)

WWN Custom (only when custom/dynamic WWN is set)

S/N=Xxxxxxx {Normal/Custom} [appears only when in 3590 or 3590s emulation mode]

S/N=xxxxxxx {drive serial number} (last six-characters of drive DMOD)

Exit CFG ? (exit view configuration) [Press **Se**lect to exit, press **Me**nu to return to the **View CFG ?** submenu.]

ESCON View Configuration Menu Tree

Use the online view configuration menu tree as a brief guide.

Online/Offline [Press **Select** to toggle, then press **Menu** to set.]

Port xxx {ENA/DIS} (enables or disables the ESCON port)

View CFG? (View Configuration) [Press **Select** to enter, press **Menu** to bypass.]

Cmprss Xxx {Yes/Off/No} (compression mode)

Full DSE X {Y/N} (data security erase mode)

Drv Adr xy (2-character hexadecimal logical drive address - usually 00)

SL Prot X {Y/N} (standard label protection mode)

Lmit ERP X {Y/N} (limit error recovery process to 10 minutes)

98x Yyyyyy {x/c} {Normal/Emul} (ID the drive as high-density during an MVS swap) [x=T9840A/B only in 3590 emulation modes]

Tape Bar X {Y/N} (tape completion indication)

English/Espanol/Francais/Italiano/Deutsch (current language)

VolSafe X {Y/N} (determines the VolSafe capability of the drive)

FullCode X {Y/N} (determines whether a full code image is in drive memory)

Emul xxxxx {3490/3590/*/*/*/*} (displays the active emulation mode)
 (*=special modes, used only when directed by Engineering or Tech Support)

Lib Adr xy {FF/00-13} (2-character hexadecimal library address) manufacturing setting is FF and it must be changed to a valid address when the drive is installed in a 9310 library.

CSL xxxxxx {System/Auto/Manual} (CSL power up mode)

S/N=xxxxxx {drive serial number} (last six-characters of drive DMOD)

Exit CFG ? (exit view configuration) [Press **Select** to exit, press **Menu** to return to the **View CFG ?** submenu.]

FICON View Configuration Menu Tree (T9840B/C)

Use the online view configuration menu tree as a brief guide.

Online/Offline [Press **Select** to toggle, then press **Menu** to set.]

View CFG ? (View Configuration) [Press **Select** to enter, press **Menu** to bypass.]

Intf FICON

View PrtA? (view current port attributes)

A=xxxxxxxay (24-bit address identifier, connection type, and port speed - when port log in is complete)

B=xxxxxxxay (when viewing port B)

SFP module parameters {2G MM0300m/2G SM10.0k}

Hard PA x {Y/N} (Physical Address)

PA=xx,ddd (PA=hex, decimal index) (only when Hard PA is yes)

Soft PA XX {HI/LO} (only when Hard PA is no)

Rate xxxx {Auto/fixed rate - 2Gb or 1Gb} (interface speed negotiation)

MaxSz xxxx {2112/2048} (maximum data frame size)

H=xxxxxxxx (first half, 64-bit port node world-wide-name)

L=xxxxxxxx (second half, 64-bit port node world-wide-name)

WWN Custom (only when custom or dynamic WWN is set)

View PrtB? (current port B attributes) (same sub-menus as port A)

Emul xxxxx {3490/3590/*/*/*/*} (displays current emulation mode)

(* = special modes, used only when directed by Engineering or Tech Support)

Cmprss Xxx {Yes/Off/No} (compression mode)

Full DSE x {Y/N} (data security erase mode)

Drv Adr xy (2-character hexadecimal logical drive address - usually 00)

SL Prot x {Y/N} (standard label protection mode)

English/Espanol/Francais/Italiano/Deutsch (current language)

Tape Bar x {Y/N} (tape completion indication)

VolSafe x {Y/N} (enable VolSafe - write once read many)

Full Code x {Y/N} (drive memory contains full code load)

CSL Xxxxxx {Y/N} (CSL operating mode - System/Auto/Manual)

98x Yyyyyy {x/c} {Normal/Emul} (ID the drive as high-density during an MVS swap) [x=T9840B only in 3590 emulation modes]

Lib Adr xy {FF/00-13} (2-character hexadecimal library address) manufacturing setting is FF and it must be changed to a valid address when the drive is installed in a 9310 library.

H=xxxxxxxx (first half, 64-bit drive node world-wide-name)

L=xxxxxxxx (second half, 64-bit drive node world-wide-name)

WWN Custom (only when custom/dynamic WWN is set)

S/N=xxxxxx (drive serial number) (last six-characters of drive DMOD)

Exit CFG ? (exit view configuration) [Press **Select** to exit, press **Menu** to return to the **View CFG?** submenu.]

FICON View Configuration Menu Tree (T9840D)

Use the online view configuration menu tree as a brief guide.

Online/Offline [Press **Select** to toggle, then press **Menu** to set.]

View CFG ? (View Configuration) [Press **Select** to enter, press **Menu** to bypass.]

Intf XXXXX (FICON/FCP)

View PrtA? (view current port attributes)

A=xxxxxxxxay (24-bit address identifier, connection type, and port speed - when port log in is complete)

B=xxxxxxxxay (when viewing port B)

SFP module parameters {2G MM0300m/2G SM10.0k}

Hard PA x {Y/N} (Physical Address)

PA=xx,ddd (PA=hex, decimal index) (only when Hard PA is yes)

Soft PA XX (HI/LO) (only when Hard PA is no)

Rate xxxx {Auto/fixed rate - 2Gb or 1Gb} (interface speed negotiation)

MaxSz xxxx {2112/2048} (maximum data frame size)

H=xxxxxxxx (first half, 64-bit port node world-wide-name)

L=xxxxxxxx (second half, 64-bit port node world-wide-name)

WWN Custom (only when custom or dynamic WWN is set)

View PrtB? (current port B attributes) (same sub-menus as port A)

Emul xxxxx {3490/3590/*/*/*/*} (displays current emulation mode)

(* = special modes, used only when directed by Engineering or Tech Support)

Comprss Xxx {Yes/Off/No} (compression mode)

Full DSE x {Y/N} (data security erase mode)

Drv Adr xy (2-character hexadecimal logical drive address - usually 00)

SL Prot x {Y/N} (standard label protection mode)

English/Espanol/Francais/Italiano/Deutsch (current language)

Tape Bar x {Y/N} (tape completion indication)

VolSafe x {Y/N} (enable VolSafe - write once read many)

Full Code x {Y/N} (drive memory contains full code load)

CSL Xxxxxx {Y/N} (CSL operating mode - System/Auto/Manual)

Lib Adr xy {FF/00-13} (2-character hexadecimal library address) manufacturing setting is FF and it must be changed to a valid address when the drive is installed in a 9310 library.

H=xxxxxxxx (first half, 64-bit drive node world-wide-name)

L=xxxxxxxx (second half, 64-bit drive node world-wide-name)

WWN Custom (only when custom/dynamic WWN is set)

S/N=xxxxxx (drive serial number) (last six-characters of drive DMOD)

Exit CFG ? (exit view configuration) [Press **Select** to exit, press **Menu** to return to the **View CFG?** submenu.]

TCP/IP View Configuration Menu

Use the following menu tree as a brief guide to view the TCP/IP settings of the T9840D tape drive.

Online/Offline [Press **Select** to toggle, then press **Menu** to set.]

View CFG ? [Press **Menu** to bypass.]

View TCP ? [Press **Select** to enter, press **Menu** to bypass.]

DHCP x {Y/N} (must be set to "N" to view/change the static settings)

IPhaaa.bbb {IP Address, high} (first half of static IP address)

IPlccc.ddd {IP Address, low} (second half of static IP address)

NMhaaa.bbb {Net Mask, high} (first half of sub-net mask)

NMlccc.ddd {Net Mask, low} (second half of sub-net mask)

GWhaaa.bbb {Gateway, high} (first half of gateway address)

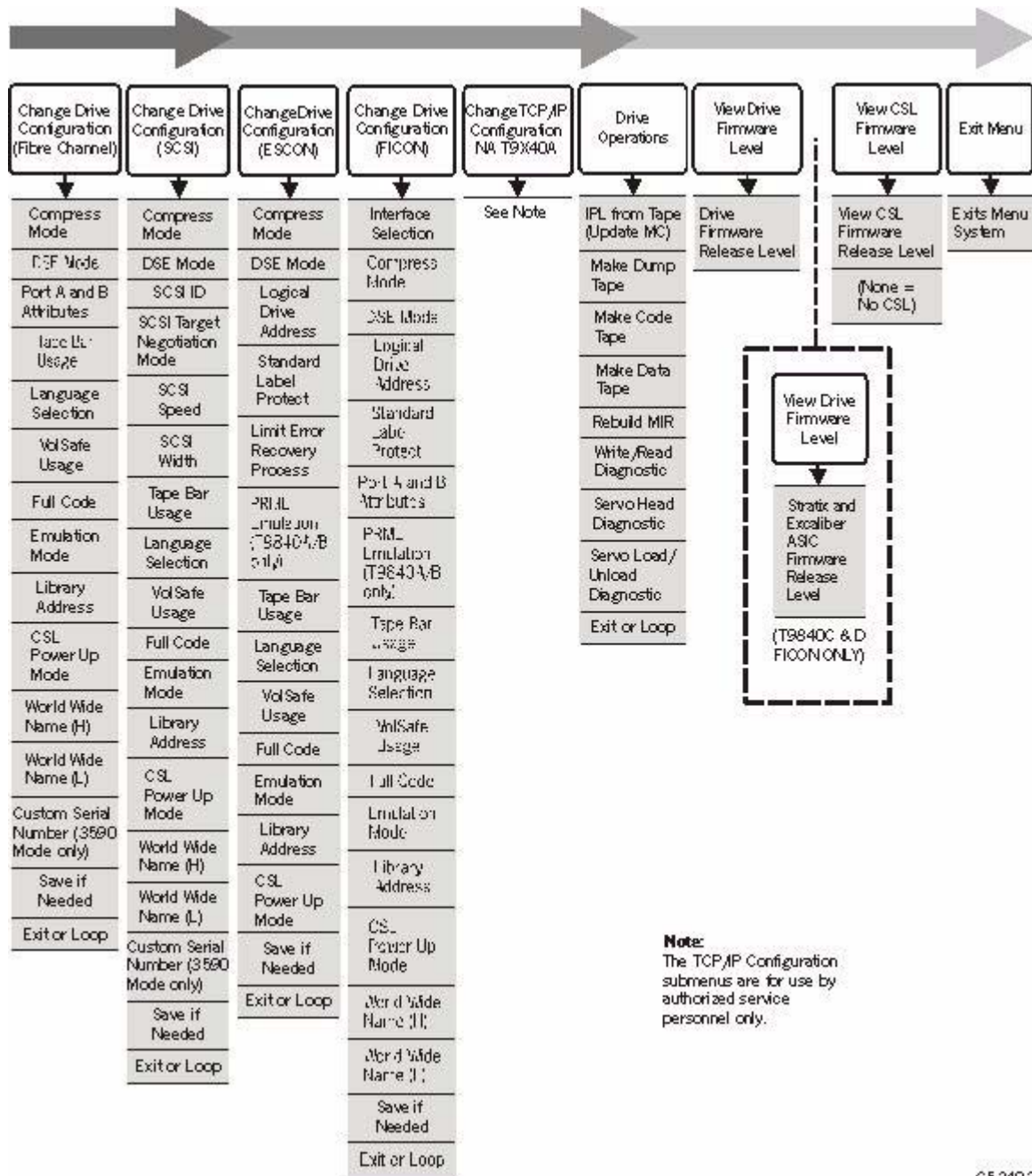
GWlccc.ddd {Gateway, low} (second half of gateway address)

Exit TCP ? [Press **Select** to exit, press **Menu** to return to the **View TCP ?** submenu.]

Offline Menu

With the offline menu, the operator can change configuration settings, reformat a data tape cartridge and build the media information region (MIR) on a tape cartridge.,

FIGURE 3-2 Offline Menu/Interface Menu Tree



C53493

Configuration Changes

You can change configuration settings from the drive offline menu system. You will continue to use the **Menu** and **Select** switches to navigate the offline menu system.

You enter the configuration or TCP/IP submenu when you press the **Select** switch while the main menu item appears in the display. The first option in the submenu appears in the display to confirm your selection.

There are three basic types of change mechanisms:

- Toggles
- Options
- Values

A **toggle** is a choice between two values. An example is the DSE mode option where you must choose between the choices of YES or NO. If YES appears in the display and you wish the selection to be NO:

1. **Press the Select switch - No appears in the display.**
2. **Press the Menu switch to advance to the next menu item.**

Options are similar to toggles, but you must choose among three or more values. An example is the Compression mode option that has the choices of Yes, No, or OFF.

1. **Press the Select switch until the desired choice appears in the display.**
2. **Press the Menu switch to advance to the next menu item.**

A **value** is typically a numeral or a hexadecimal character. Often you will change an address which consists of one or more characters.

1. **Press the Select switch - the left-most character of the value flashes.**
2. **Press the Select switch to increment the value.**
3. **Press the Menu switch when the desired value appears in the display - the character stops flashing.**

The adjacent character to the right flashes.

4. **Repeat steps 1 through 3 to set the proper value for the second or succeeding character. When you have set all characters, go to step 5.**
5. **Press the Menu switch to advance to the next menu item.**

Note – If you press the **Select** switch, the first character in the value sequence flashes, and you can increment the value.

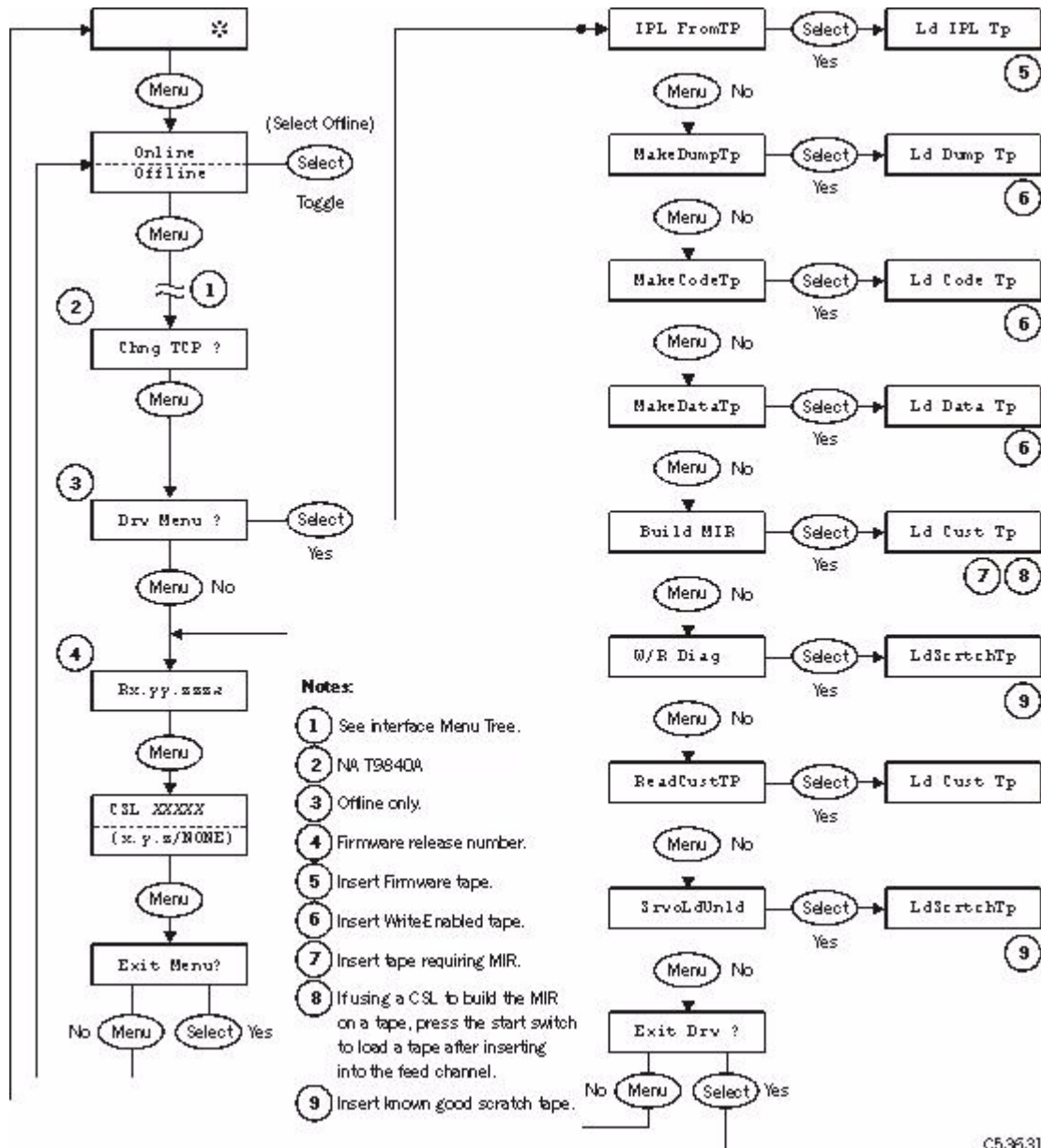
The last menu item after a change is typically **Save/IPL ?**. Press the **Select** switch to accept the change and start the drive IPL. However, if you press the **Menu** switch, the display will typically advance to **Exit Menu ?** - press **Select** to exit or **Menu** to return to the first item in the submenu.

Drive Operations Menu

The Drv Menu ? branch of the main menu is the same for Fibre Channel, SCSI, ESCON, and FICON interfaces. FIGURE 3-3 shows an expansion of the drive operations sub-menus.

Note that the menu items both preceding and following the Drv Menu ? branch vary with the type of data path interface (see FIGURE 3-2 on page 56 for specific menu items).

FIGURE 3-3 Drive Operations Menu Tree



C53631

Operator Tasks

This chapter discusses operator tasks primarily for desktop and rack-mounted tape drives. Most of these tasks rely on the physical operator panel switches, alphanumeric display, and the drive menu system.

Note – For operator tasks relating to drives within a library, consult the appropriate library operator guide.

- [Power-on the Drive](#)
- [Power-off the Drive](#)
- [IPL the Drive](#)
- [Write-protect/Enable a Data Cartridge](#)
- [Load a Data Cartridge](#)
- [Unload a Data Cartridge](#)
- [Clean the Drive](#)
- [Place the Drive Online](#)
- [View Drive Configuration](#)
- [View Firmware Release Level](#)
- [Place the Drive Offline](#)
- [Reformat a Cartridge](#)
- [Build MIR](#)
- [Exit the Menu System](#)

You can use the Virtual Operator Panel, version 1.0.12 (or higher), with Oracle's StorageTek T9840D tape drive to perform many of the operator tasks listed above. The Virtual Operator Panel provides a graphical user interface to accomplish task functions. See the *StorageTek Virtual Operator Panel Customer User's Guide* (part number 96179) for specific information.

Note – VOP version 1.0.13 in conjunction with the appropriate drive code level supports the use of an IPv6 address.

Power-on the Drive

To apply power to the desktop or rack-mount configuration:

1. **Make sure the power cord is connected from the receptacle on the chassis rear panel to an AC power outlet or power strip.**
2. **Make sure that all interface cables are fully seated.**
3. **Set the power switch on the back of the drive or the rear panel to on (I).**

The drive(s) will power-on and perform an initial program load (IPL).

- The drive power indicator flashes.
- Various messages relative to the IPL sequence appear in the operator panel display window. These messages do not require any action from you.

The drive successfully completes an IPL when:

- The drive power indicator is steady
- An asterisk (*) appears in the operator panel display window

Power-off the Drive

To remove power from the desktop and rack-mount configuration:

1. **Make sure the tape drive is not in use.**

Check for the following elements:

- a. There are no active jobs, applications, or programs using this drive.
- b. The operator panel activity indicator is steady and *not* flashing.
- c. The display window does not indicate any activity relative to tape movement, such as reading, writing, or locating.

2. **Make sure a data cartridge is *not loaded* in the tape drive (see [“Unload a Data Cartridge” on page 64](#), as necessary).**
3. **Set the power switch on the rear panel to off (O).**

IPL the Drive

To IPL (initial program load) a drive that is already powered on:

1. Make sure the tape drive is not in use.

Checking for the following elements:

- a. There are no active jobs, applications, or programs using this drive.
- b. The operator panel activity indicator is steady and *not* flashing.
- c. The display window does not indicate any activity relative to tape movement, such as reading, writing, or locating.

2. Make sure a data cartridge is *not* loaded in the tape drive (see [“Unload a Data Cartridge” on page 64](#), as necessary).

3. Press the operator panel IPL switch.

Once the IPL starts, the following things happen:

- The drive power indicator flashes.
- Various messages relative to the IPL sequence appear in the operator panel display window. These messages do not require any action from you.

When the drive successfully completes an IPL:

- The drive power indicator is steady.
- An asterisk (*) appears in the operator panel display window.

Note – If there is a dump present, the operator panel display window alternates between the asterisk and the dump message. The dump present indication will stop when a tape cartridge is loaded.

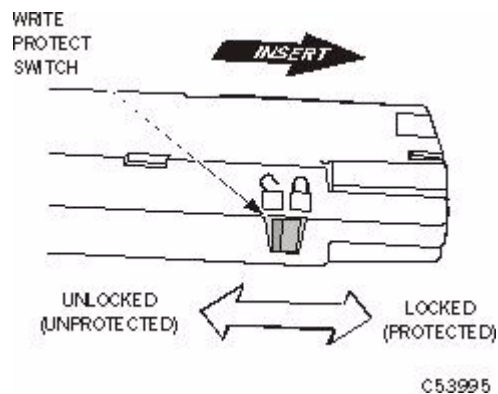
Write-protect/Enable a Data Cartridge

To write-protect or write-enable a data cartridge, move the write-protect switch on the cartridge to the desired setting.

The write-protect switch is located on the side of the cartridge as shown in [FIGURE 4-1](#). The switch points to a padlock symbol on the case to indicate the following status:

Locked	Write protected. Data can only be read from the data cartridge.
Unlocked	Write enabled (unprotected). Data can be read from and written to the standard data cartridge. With a VolSafe cartridge, data can be read from the cartridge; and, data can be appended if the drive VolSafe configuration option is enabled.

FIGURE 4-1 T9840 Data Cartridge Write Protect Switch



Load a Data Cartridge

To load a cartridge into a T9840 tape drive:

Note – A T9840 tape drive accepts only T9840 cartridges.

1. **Inspect the cartridge for damage** (see [“Identify a Damaged Cartridge” on page 87](#)).
2. **Look into the drive load/unload slot to make sure there are no obstructions.**
3. **Hold the cartridge by the finger grips with the hub side down, and insert the cartridge, carefully, into the tape drive loading slot.**

Note – For scratch data cartridges and other data cartridges on which the tape is written, make sure the write protect switch on the data cartridge is in the unlocked position (see [“Write-protect/Enable a Data Cartridge” on page 62](#)).

4. **Push the cartridge into the load slot**

Note – For desktop or rack-mounted tape drives, when a cartridge is loaded, the operator panel display window indicates one of the values in the following table.

Display	Meaning
Ready U	The cartridge is ready and not file protected (the drive can read, write, or append data).
Ready F	The cartridge is ready and file protected; or a VolSafe cartridge is loaded, but the drive VolSafe option is disabled.
Ready A	The VolSafe cartridge with the proper density is ready.
Ready H	The data cartridge density is higher than the drive is capable of reading or writing.
Ready L	The data cartridge is loaded into a drive that is capable of writing at a higher density - the drive can read a lower density cartridge, but cannot append data.
LOAD xxxx	The cartridge load was not successful.

Unload a Data Cartridge



Caution – Possible data loss: Do not push the Unload switch while a data cartridge is in use.

To remove cartridges from the drive:

1. Make sure the tape drive is not in use.

Check for the following elements:

- a. There are no active jobs, applications, or programs using this drive.
- b. The operator panel activity indicator is steady and *not* flashing.
- c. The display window does not indicate any activity relative to tape movement, such as reading, writing, or locating.

2. Press the operator panel Unload switch.

An asterisk (*) should appear in the display when the cartridge is unloaded.

Note – If the drive is offline, the asterisk will alternate with *Offline*.

3. Grasp the cartridge by the finger grips and extract it from the load/unload slot.

4. Set the write protect switch to the locked position, if applicable.

Clean the Drive

After the tape drive transports a predetermined length of tape or records a predetermined number of errors, the Clean indicator lights. It is time to clean the tape drive.

Note – Use the appropriate cleaning cartridge for the drive model (see [“Cartridges” on page 24](#)).

To clean the tape drive:

Caution – Equipment damage: Do not wet-clean the tape drive. Do not clean the tape drive unless the Clean indicator lights.



1. **Make sure the tape drive is not in use before proceeding to Step 2.**

Note – If there is a tape loaded in the tape drive, make sure the application or job that was using that tape drive is no longer running.

2. **Unload any data cartridge in the tape drive** ([“Unload a Data Cartridge” on page 64](#)).
3. **Insert a cleaning cartridge in the tape drive.**

Once loaded, the *activity* light flashes. When the *activity* and *clean* indicators turn off, cleaning is complete and the tape drive unloads the cleaning cartridge.

Note – The tape drive might immediately eject the cleaning cartridge and show the message Exp ClCart in the front panel display. This indicates that the cleaning cartridge has been used its maximum number of cleaning cycles. *Discard* the worn cleaning cartridge and insert a new cleaning cartridge into the tape drive.

The cleaning cartridge can be used about 100 times before you must discard it.

If CHK xxxx appears in the tape drive’s front panel display, where xxxx is the fault symptom code (FSC), a cleaning cartridge failure occurred.

Try the procedure again with a different cleaning cartridge. If the problem persists, contact your service representative.

4. **Remove the cleaning cartridge from the tape drive.**

This completes the cleaning process and the tape drive is ready to resume normal operations.

Menu System Tasks

The remaining operator tasks are accomplished by using the drive menu system. Some tasks can be performed from the offline menu system only.

Place the Drive Online

To change the tape drive state from offline to online:

1. Press the operator panel Menu switch until `Offline` appears in the display window.

Note – If you are within a submenu, press the Menu switch until `Exit XXX ?` appears in the display window and press the Select switch to enter the main menu.

2. Press the operator panel Select switch to toggle the drive state.

`Online` appears in the display window.

3. Press the Menu switch until `Exit Menu?` appears in the display window.

4. Press the Select switch to exit the menu system.

5. Bring the tape drive back online to the host by using one of the following methods:

- **Enterprise:** Set the tape drive online for all host paths to the tape drive by using one of the following Vary commands:

MVS: V <address> online

VM: Vary on, <address>

- **Open Systems:** if there is a switch unit installed and the port to this tape drive is blocked, unblock (enable) that switch port.

View Drive Configuration

To view the current drive configuration settings:

1. Press the operator panel Menu switch to enter the menu system:

- If `Online` appears in the tape drive's front panel, go to Step 2.
- If `Offline` appears in the tape drive's front panel shows, press the Select switch to toggle the drive state.

Note – It is important that you view configuration settings in the *online* state, because you cannot accidentally change online settings. To change settings, you must first set the drive to the offline state.

2. Press the Menu switch until `View CFG ?` appears in the display window.

3. Press the operator panel Select switch (Yes) to enter the view configuration submenus.

The first configuration setting appears in the operator panel display window.

4. Press either the Menu or the Select switch to step through the configuration settings.

Note – In the drive online state, the Select switch has the same function as the Menu switch, except when answering a displayed question.

5. Press either the Menu or Select switch until `Exit CFG ?` appears in the display window.
6. Press either the Select switch (Yes) to exit the submenu or the Menu switch (No) to repeat the view configuration sequence.
7. Press the Menu switch until `Exit Menu?` appears in the display window.
8. Press either the Select switch (Yes) to exit the menu system or the Menu switch (No) to return to the online/offline selection menu.

View Firmware Release Level

To view the firmware release level:

1. Press the Menu switch to enter the menu system.
2. Press the Menu switch until a number in the form of `Rx.yy.zzzc` appears in the display.
Where:
x is the major revision level
yy is the minor revision level
zzz is the integration level
c is the channel type:
f is Fibre Channel
s is SCSI
e is ESCON/FICON (3490 image)
m is ESCON/FICON (3590 image)
3. Press the Menu switch repeatedly until `Exit Menu?` appears in the display window.
4. Press either the Select switch to exit the menu system or press the Menu switch to repeat the Online/Offline selection.

Place the Drive Offline

To change the drive state to offline:

1. Stop all I/O activity from the host.
In *mainframe* environments, set the tape drive offline for all host paths to the tape drive by using one of the following Vary commands:
 - **MVS:** V <address> offline
 - **VM:** Vary off, <address>In *open systems* environments, do one of the following:
 - Stop the job that is using that tape drive

- In a multi-host setting, stop any job that is using the tape drive and then, if there is a switch unit in use, block (disable) the port in that switch to that tape drive.
2. **Press the operator panel Menu switch.**
Online appears in the display window.
 3. **Press the operator panel Select switch to toggle the drive state.**
Offline appears in the display window to indicate a successful transition to the offline state.
 4. **Press the Menu switch until Exit Menu? appears in the display window.**
 5. **Press either the Select switch to exit the menu system or the Menu switch to return to the first main menu item (use the offline main menu as appropriate, see [“Offline Menus” on page 56](#)).**

Note – If you select Exit Menu? the display alternates between Offline and the normal message after a cartridge has been loaded as a reminder that the drive is still in the offline state.

Reformat a Cartridge

You can reformat a data cartridge for new data recording using the offline drive operations menu. Once a data cartridge is reformatted, old data is no longer accessible because the reformatting and new data recording overwrites previous data areas.

Note – You cannot reformat a VolSafe data cartridge with the offline drive operations submenu.

To reformat a cartridge:

1. **Press the Menu switch to access the menu system.**
 - a. **If the display shows Offline, go to step 2.**
 - b. **If the display shows Online, press the Select switch to place the drive offline.**
2. **Press the Menu switch until Drv Menu ? appears in the display.**
3. **Press the Select switch to enter the submenu.**
4. **Press the Menu switch until MakeDataTp appears in the display.**
5. **Press the Select switch (Ld Data Tp appears in the display).**
6. **Inspect the cartridge for damage (see [“Identify a Damaged Cartridge” on page 87](#)).**
7. **Load a write-enabled data cartridge in the drive load slot (see [“Load a Data Cartridge” on page 63](#)).**
The drive reformats and ejects the data cartridge.
8. **Remove the cartridge.**
9. **Press the Menu switch until Exit Drv ? appears in the display.**

10. Press either the Select switch to enter the main menu or the Menu switch to repeat the drive operations menu.
11. Press the Menu switch until `Exit Menu?` appears in the display
12. Press either the Select switch to exit the menu system or the Menu switch to repeat the Online/Offline selection.

Note – It is a best practice to return the drive to the online state. See [“Place the Drive Online” on page 66](#).

Build MIR

This process rebuilds an MIR from the operator panel.

1. Set the drive to the offline state.
2. Press the Menu switch until `Drv Menu?` appears in the display window.
3. Press the Select switch (Yes) once.
The first drive utilities submenu appears in the display window.
4. Press the Menu switch until `Build MIR` appears in the display window.
5. Press the Select switch to begin the MIR rebuilding process.
`Ld Cust Tp` appears in the display window.

Note – Any loaded cartridge unloads at this time. Remove any cartridge that may be present.

6. Inspect the cartridge for damage (see [“Identify a Damaged Cartridge” on page 87](#)).
7. Insert a write-enabled cartridge with a defective MIR (see [“Load a Data Cartridge” on page 63](#)).
The drive rebuilds the MIR and ejects the data cartridge.

Note – Rebuilding the MIR could take up to 40 minutes for a full data cartridge.

8. Remove the cartridge from the drive load/unload slot.
If there are other cartridges for MIR rebuilding, repeat Step 6 and Step 7 for each cartridge. When the drive has rebuilt all cartridges with defective MIRs, continue with Step 9.
9. Press the Menu switch once.
`Exit Drv?` appears in the display window.
10. Press either the Select switch (Yes) to exit the drive utilities submenus or the Menu switch (No) to repeat the utilities submenu sequence.
11. Press the Menu switch until `Exit Drv ?` appears in the display.
12. Press either the Select switch to enter the main menu or the Menu switch to repeat the drive operations menu.

13. Press the Menu switch until `Exit Menu?` appears in the display
14. Press either the Select switch to exit the menu system or the Menu switch to repeat the Online/Offline selection.

Note – It is a best practice to return the drive to the online state. See [“Place the Drive Online”](#) on page 66.

Exit the Menu System

To exit the menu system:

1. Press the Menu switch repeatedly until `Exit Menu?` appears in the display window.

Note – If you are within a submenu, press the Menu switch until `Exit XXX ?` appears in the display window and press the Select switch to enter the main menu.

2. Press the Menu switch to determine the current drive state (`Offline` or `Online` appears in the display).
3. If the present state is `offline`, press the Select switch (`Online` appears in the display)
4. Press the Menu switch repeatedly until `Exit Menu?` appears in the display.
5. Press the Select switch (an `*` or `Online` appears in the display).

Indicators and Messages

This chapter summarizes the operator panel indicator lights and display messages.

Indicators

TABLE 5-1 shows the meaning of the indicators located on the front panel and the recommended action.

TABLE 5-1 Operator Panel Indicators

Indicators				Meaning	Recommended Action
power	activity	clean	service		
Off				The drive is powered off.	Power on the drive as required.
Flashing			Off	The drive is in initial program load (IPL).	None.
Persistent Flashing			Off	The drive failed IPL and cannot exit the sequence.	Power the drive off and on again. If the problem persists, contact authorized service personnel.
On			Off	Normal operation.	None.
On	Off			No tape cartridge is loaded.	Load a tape cartridge as needed.
On	On			A tape cartridge is loaded.	None.
On	Flashing			The tape is moving.	None.
On		Off		No cleaning is required.	None.
On		On		Cleaning is required.	Load the appropriate cleaning cartridge in the drive.

TABLE 5-1 Operator Panel Indicators (Continued)

Indicators				Meaning	Recommended Action
power	activity	clean	service		
On	Flashing	On		Cleaning is proceeding.	None.
On			On	A drive error occurred.	Perform an IPL on the drive. If the problem persists, contact authorized service personnel.
On			Flashing	An error occurred and dump data was collected.	Observe the display message. See TABLE 5-2 for more information about the message.

Messages

[TABLE 5-2](#) lists operator panel display messages, meanings, and recommended actions.

TABLE 5-2 Operator Panel Display Messages

Display	Meaning	Recommended Action
* (asterisk)	The tape drive is online but a cartridge tape is not loaded.	Load a cartridge tape as required.
ASIA Diags	IPL diagnostics are running.	None
Bank n Bad	During boot, a section of memory was found bad.	IPL the tape drive. If the problem persists, contact authorized service personnel.
BldMIRFail	Rebuild of Media Information Region (MIR) unsuccessful. Note: Code level 1.30.109 and higher displays CHK XXXX.	
Boot Fail	The IPL failed.	IPL the tape drive again. If the problem persists, contact authorized service personnel.
BT Monitor	A sequence of switches accessed an engineering area.	IPL the tape drive. If the problem persists, contact authorized service personnel.
CC Diags	IPL diagnostics are running.	None
CHK xxxx, where xxxx is an FSC	An operational failure occurred; the tape drive might automatically perform an IPL depending on the operational mode of the drive and the specific failure.	Wait for the IPL to complete and retry the operation. If the problem persists, contact authorized service personnel. See TABLE 5-3 on page 76 for a list of codes that are most often caused by an operator error.
Cleaning (*Cleaning*)	A cleaning cartridge is in the tape drive and is now cleaning.	None

TABLE 5-2 Operator Panel Display Messages (Continued)

Display	Meaning	Recommended Action
<i>cnhndnsn</i> (Hardware revision level supported by the firmware in this drive)	The tape drive firmware level is insufficient to control the tape drive hardware.	Contact authorized service personnel.
CodCrFail1	The tape drive cannot write code onto the data cartridge tape, or the tape drive cannot position the data cartridge tape.	Ensure that the tape is write-enabled, or try another cartridge tape.
CodCrFail2	The tape drive cannot read code from the data cartridge tape.	Retry the operation, or try another cartridge tape. If the problem persists, contact authorized service personnel.
CodeUpdate	The firmware in the tape drive is being updated from the host; the operator panel switches are locked.	None
CodUpFail1	The tape drive cannot read the data cartridge tape, or the tape drive cannot position the data cartridge tape.	Try another cartridge tape.
CodUpFail2	The EEPROM failed.	Contact authorized service personnel.
CodUpFail3	The tape drive cannot read code from the data cartridge tape.	Retry the operation, or try another cartridge tape. If the problem persists, contact authorized service personnel.
CodUpFail4	The data cartridge tape is not a code update cartridge tape.	Try another code update cartridge tape. If the problem persists, contact authorized service personnel.
DatCrFail1	The tape drive cannot create (reformat or reclaim) a cartridge tape.	Ensure that the data cartridge tape is write-enabled, or try to reformat the tape on another drive. If the problem persists, contact authorized service personnel.
DmpCrFail1	The tape drive cannot create (reformat or reclaim) a diagnostic dump tape.	Ensure that the data cartridge tape is write-enabled. If the problem persists, contact authorized service personnel.
DmpCrFail2	The tape drive cannot read the format of the data cartridge tape.	Retry the operation, or try another cartridge tape. If the problem persists, contact authorized service personnel.
DmpWrFail1	The tape drive cannot write diagnostic data onto the data cartridge tape, or the tape drive cannot position the data cartridge tape.	Contact authorized service personnel.
DmpWrFail2	There is no diagnostic dump data to process.	Contact authorized service personnel.
<i>xxxx:Dmp y</i>	Alternates with * (an asterisk) after completion of IPL, where <i>xxxx</i> =the FSC of last dump data collected and <i>Y</i> = number of uncollected dumps in non-volatile memory.	Contact authorized service personnel who accesses the diagnostic data and collects it to tape or to the host.

TABLE 5-2 Operator Panel Display Messages (Continued)

Display	Meaning	Recommended Action
DumpAgain? alternating with CHK xxxx, where xxxx is an FSC.	The tape drive detected the same error within a minute. Note: The Service indicator is flashing.	IPL the tape drive. If the problem persists, contact authorized service personnel.
DumpToHost	The dump or event log is being transferred to the host; operator panel switches are locked.	None
Exp ClCart	The cleaning cartridge is used up.	Replace the cleaning cartridge.
Fix CfgErr	The checksum does not match after an IPL.	Contact authorized service personnel.
Init xxxx. where xxxx is an FSC	An initialization error occurred.	Contact authorized service personnel.
IPL Pend	The IPL switch has been pressed.	None
LOAD CC	The common controller code is loading; IPL is proceeding.	None
LOAD ESCON	ESCON firmware is loading; IPL is proceeding.	None
LOAD FIBRE	Fibre Channel firmware is loading; IPL is proceeding.	None
LOAD FICON	FICON firmware is loading; IPL is proceeding.	None
LOAD SERVO	The servo code is loading; IPL is proceeding.	None
LOAD SCSI	SCSI firmware is loading; IPL is proceeding.	None
LOAD xxxx, where xxxx is an FSC	The load or unload operation failed.	If the load failed, insert another cartridge tape. If it loads successfully, suspect the original tape. If another tape fails to load, IPL the tape drive. If the problem persists, contact your service representative.
Loading	A cartridge tape is loading.	None
Locating	The tape drive is doing a high-speed seek.	None
Memory Err	The IPL failed.	IPL the tape drive again. If the problem persists, contact authorized service personnel.
NTReady A	A write-enabled VolSafe data cartridge is in the process of a manual unload.	None
NTReady F	A write-protected tape is in the process of a manual unload.	None
NTReady U	A write-enabled tape is in the process of a manual unload.	None
Offline, alternating with *	The tape drive is offline.	Perform offline menu operations or exit the menu system.

TABLE 5-2 Operator Panel Display Messages (Continued)

Display	Meaning	Recommended Action
Online	The tape drive is online.	None
OnLn Pend	The online state is pending completion of IPL diagnostics.	None
Power Fail	The power supply failed.	Contact authorized service personnel.
Reading	The tape drive is reading data.	None
Ready A	The loaded cartridge tape is a VolSafe cartridge.	None
Ready F	The loaded cartridge tape is write-protected.	None
Ready H	A loaded high-density data cartridge is write-enabled by the cartridge write-protect switch in the unlocked position.	Reload with low-density cartridge or intentionally over-write from BOT. Note: High-density data cannot be read by a T9840A/B drive. T9840D data cannot be read by a T9840C drive.
Ready L	A loaded low-density data cartridge is write-enabled by the cartridge write-protect switch in the unlocked position.	Use for read-only jobs or intentionally over-write from BOT. Note: Low-density data files can be read, but not revised by a T9840C/D drive.
Ready U	The loaded cartridge tape is write-enabled (write-unprotected).	None
Rewinding	The tape drive is rewinding.	None
Save Fails	The new configuration cannot be saved because the read-access memory (RAM) may be defective.	This message is associated with changing the tape drive configuration, a task for authorized service personnel only.
SavingDump	A dump is being saved to non-volatile memory.	None
Start Init	Initialization has started.	None
Trapped	The IPL process is trapped in a loop.	IPL the tape drive again. If the problem persists, contact authorized service personnel.
Unloading	A cartridge tape is unloading.	None
UnWr xxxx, where xxxx is an FSC	The Unload switch was pressed during a write operation. Some data remains unwritten.	To write the unwritten data, issue the command: ESCON Swap in the VM/MVS environment Or, Press the Unload switch again; the unwritten data is lost.
Write Prot	The tape drive attempted to write to a write-protected cartridge tape.	Change the switch on the data cartridge tape to enable writing.
Writing	The tape drive is writing data.	None

Potential Operator Recovery Scenarios

The following table contains Fault Symptom Codes (FSCs) that commonly result from an operator error. The first column in the table lists an operator panel message at the time of the error event. The description column provides insight into the error condition from which you should be able to determine a recovery action.

TABLE 5-3 Selected Check Message Meanings

Message	Description
CHK 6109	This drive does not contain the key needed to decrypt this tape. The ID of the missing key can be viewed from this drive using the VOP program. The ID has also been written to the Operational Key Token (OKT). Connect the OKT to the Key Management Station (KMS) and view the error log for error 6109
CHK A33A	The user requested a motion operation that requires a tape to be installed, however, a tape has not been loaded.
CHK A34C	The user requested a write operation that requires a tape to be installed, however, a tape has not been loaded.
CHK A3FB	A format override tape write operation failed. The failure may not be serious. Error recovery was not invoked for the failure. Re-attempting the test may resolve this issue.
CHK A733	The operator or library inserted a write protected tape into the drive while in a menu selected create tape mode. If the write protect switch on the cartridge is moved to the unlocked position, operation will work.
CHK A749	A high density tape was attempted to be read on a drive only capable of reading lower density tapes. Retry with a low density tape.
CHK A74E	A high density tape was loaded on a low density drive, or a low density tape was loaded on a high density drive. In either case, the drive cannot write to the tape. The MIR cannot be written on the tape during the unload process so there is no point in running the build MIR function. If it is a high density tape, rebuild the MIR on a high density drive. If it is a low density tape, rebuild the MIR on a low density drive.

Translated Messages

TABLE 5-4 lists operator panel display messages that are translated when the drive configuration Language option is set to something other than English.

TABLE 5-4 Translated Display Messages

English	Espanol	Francais	Italiano	Deutsch
CLEANING	*LIMPIEZA*	*NETTOYAGE	*PULIZIA*	*REINIGEN*
CHK XXXX	ERR XXXX	ERR XXXX	ERR XXXX	PRUEF XXXX
ERASING	*BORRANDO*	EFFACEMENT	*CANCELLA*	*LOESCHEN*
Locating	Localizar	Recherche	Ricerca	Suchen
LOAD XXXX	CARGA XXXX	CHARG XXXX	CARIC XXXX	LADEN XXXX
Loading	Cargando	Chargement	Carico	Laden
NT Ready A	No Listo A	NPret A	No Prnt A	N Bereit A
NT Ready F	No Listo F	NPret F	No Prnt F	N Bereit F
NT Ready U	No Listo U	NPret U	No Prnt U	N Bereit U
Overtemp	*Caliente*	*Overtemp*	*Temperat*	* Heiss *
Processing	Procesar	Traitement	Processo	Verarbeitn
Reading	Leer	Lecture	Lettura	Lesen
Ready A	Listo A	Pret A	Pronto A	Bereit A
Ready F	Listo F	Pret F	Pronto F	Bereit F
Ready H	Listo H	Pret H	Pronto H	Bereit H
Ready L	Listo L	Pret L	Pronto L	Bereit L
Ready U	Listo U	Pret U	Pronto U	Bereit U
Rewinding	Rebobinar	Rebobinage	Riavvolgi	Spulen
Unloading	Descarga	Dechargemt	Scarico	Entladen
Writing	Excritura	Ecriture	Scrittura	Schreiben

Specifications

This appendix lists the physical, power, and performance specifications for the T9840 tape drive plus the environmental requirements for the drive and data cartridges.

Physical Specifications

This section lists the physical specifications for T9840 tape drives in three configurations: desktop, rack mount, and library attached.

Tape Drive Only

[TABLE A-1](#) lists the T9840 tape drive physical specifications.

TABLE A-1 T9840 Tape Drive Physical Specifications

Measurement	Specification
Width	146 mm (5.75 in.)
Depth	381 mm (15 in.)
Height	82.5 mm (3.25 in.)

Desktop Configuration

The T9840 desktop configuration is a single enclosed assembly.

TABLE A-2 T9840 Tape Drive Desktop Physical Specifications

Characteristic	Manual-Load Drive	Cartridge Scratch Loader
Chassis dimensions	230 mm (9.1 in.) wide 160 mm (6.5 in.) high 483 mm (19 in.) deep ¹	483 mm (19 in.) wide 197 mm (7.7 in.) high 630 mm (24.8 in.) deep ¹
Weight:	9.3 kg (20.5 lb)	23 kg (50 lb)

1. Plus 76 mm (3 in.) for cables

Rack-Mount Configuration

[TABLE A-3](#) lists the physical specifications for the T9840 rack-mount configuration.

TABLE A-3 T9840 Tape Drive Rack-mount Physical Specifications

Characteristic	Value
Chassis dimensions	483 mm (19 in.) wide 177 mm (7.0 in.) high 630 mm (24.8 in.) deep plus 76 mm (3 in.) for cables
Weight:	
single drive	14.1 kg (32 lb)
dual drive	20.4 kg (45 lb)
Cartridge Scratch Loader	18 kg (39 lb)

Library-attached Configuration

[TABLE A-4](#) lists the weights of the library tape drives and accessories (including trays, power supplies, and cables).

TABLE A-4 T9840 Tape Drive Weights (Library-attached)

Library	Drive and Accessory Weights
9310/9740/L5500	7.30 kg (16.1 lb)
L180/L700/L1400	7.39 kg (16.3 lb)
SL3000	9.53 kg (21 lb)
SL8500	8.85 kg (19.5 lb)

The T9840 Tape Drive library-attached configuration trays fit inside the:

- StorageTek L180/L700/L1400 libraries
- StorageTek SL3000 Modular Library System

- StorageTek SL8500 Modular Library System
- 9741 drive cabinet that attaches to StorageTek 9310 and 9740 libraries
- 9741E drive cabinet that attaches to StorageTek 9310, 9740, and L5500 libraries

Refer to the appropriate library System Assurance Guide for the physical dimensions and weights of the library and frame.

Power Specifications

The power specifications for the T9840 tape drive are listed in the following table.

TABLE A-5 T9840 Tape Drive Power Specifications

Characteristic	Value	
Input voltage	100 to 240 VAC	
Input frequency	50 to 60 Hz	
Power consumption	T9840D ■ 61.7 W - write ■ 43 W - Idle with tape loaded ■ 35 W - Idle no tape loaded	T9840C ■ 65 W - write ■ 45 W - Idle with tape loaded ■ 38 W - Idle no tape loaded
SL8500 Power dissipation	345 Btu/hr	

Environmental Requirements

This section lists the environmental requirements for the tape drive, power supply, and tape cartridge.

Tape Drive and Power Supply

This section lists the environmental requirements for the tape drive and the power supply.

TABLE A-6 T9840 Tape Drive and Power Supply Environmental Requirements

Description	Range
Temperature	
Operating	15° to 32°C (59° to 90°F)
Shipping	-40° to 60°C (-40° to 140°F)
Storing	10° to 40°C (50° to 104°F)
Relative Humidity, (non-condensing)	
Operating	20% to 80%
Shipping	10% to 95%
Storing	10% to 95%
Wet Bulb Maximum	
Operating	29°C (84°F)
Shipping	35°C (95°F)
Storing	35°C (95°F)
Altitude	
Operating	26°C (79°F) 3.05 km (10,000 feet)
Shipping	26°C (79°F) 15.2 km (50,000 feet)
Storing	26°C (79°F) 3.05 km (10,000 feet)
Air Flow Requirement (Operating Heat Output)	
Drive and power supply operating	73.2 Calories/hr (290.2 Btu/hr)

Tape Cartridge

TABLE A-7 lists the T9840 tape cartridge environmental requirements.

TABLE A-7 T9840 Tape Cartridge Environmental Requirements

Temperature	
Operating ¹	15° to 32°C (59° to 90°F)
Storage (up to four weeks)	5° to 32°C (41° to 90°F)
Storage (archival)	18° to 26°C (65° to 79°F)
Shipping (unrecorded) ²	-23° to 49°C (-10° to 120°F)
Shipping (recorded) ²	4° to 40°C (40° to 104°F)
Relative Humidity, Non-condensing	
Operating ¹	20% to 80%
Storage (up to four weeks)	5% to 80%
Storage (archival)	40% to 60%
Shipping (unrecorded) ²	5% to 80%
Shipping (recorded) ²	5% to 80%
Wet Bulb Maximum	
Operating ¹	26°C (79°F)
Storage (nonarchive)	26°C (79°F)
Storage (archival)	26°C (79°F)
Shipping (unrecorded) ²	26°C (79°F)
Shipping (recorded) ²	26°C (79°F)

1. The acclimation time before use is 24 hours.
 2. The shipping environment must not exceed the limit of the storage environment, archive or nonarchive, for longer than 10 days.



Performance Specifications

This section describes the T9840 Tape Drive and Tape Cartridge performance.

Tape Drive

TABLE A-8 lists the performance specifications of the T9840 tape drive.

TABLE A-8 T9840 Tape Drive Performance Specifications

Characteristic	Value			
	T9840A	T9840B	T9840C	T9840D
Capacity and Performance				
Capacity, native	20 GB	20 GB	40 GB ¹	75 GB ¹
Data buffer size	8 MB	32 MB	64 MB 	64 MB 
tape speed, read/write	2 m/s	4 m/s	3.295 m/s	3.4 m/s
Performance, native (head-to-tape)				
uncompressed	10 MB/s	19 MB/s	30 MB/s	30 MB/s
compressed (maximum)	35 MB/s	60 MB/s	60 MB/s	60 MB/s ²
Burst (FC & FICON)	100 MB/s	200 MB/s	200 MB/s	200 MB/s
Burst (ESCON)	17 MB/s	17 MB/s	17 MB/s	17 MB/s
Interface data				
Fibre Channel	1 Gb	2 Gb	2 Gb	2 Gb
Ultra SCSI (HVD)	40 MB/s	40 MB/s	N/A	N/A
ESCON	17 MB/s	17 MB/s	17 MB/s	17 MB/s
FICON	N/A	2 Gb	2 Gb	2 Gb
Access times				
Tape load and thread to ready	7 sec	7 sec	6.5 sec	8.5 sec
File access, first (average)	8 sec	8 sec	8 sec	8 sec
Rewind (maximum/average)	16/8 sec	16/8 sec	16/8 sec	16/8 sec
Unload	8 sec	8 sec	11.5 sec	12.5 sec
Reliability				
Mean time between failure (MTBF)				
Power on @ 100% duty cycle	290,000 hr	290,000 hr	290,000 hr	290,000 hr
Tape load @ 10/day (100k loads)	240,000 hr	240,000 hr	240,000 hr	240,000 hr
Tape path motion (TPM) @ 70% duty cycle	216,000 hr	216,000 hr	216,000 hr	216,000 hr
Head life @ 70% TPM duty cycle	5 years	5 years	5 years	5 years
Uncorrected bit error rate	1 x 10 ⁻¹⁸	1 x 10 ⁻¹⁸	1 x 10 ⁻¹⁸	1 x 10 ⁻¹⁸
Undetected bit error rate	1 x 10 ⁻³³	1 x 10 ⁻³³	1 x 10 ⁻³³	1 x 10 ⁻³³

1. VR² is a trademark of Overland Storage.


VR² technology is used to achieve T9840C and T9840D capacity.

2. Fibre Channel (FC) write and 55 MB/s FICON write

Tape Cartridge

TABLE A-9 lists the physical and performance specifications for the StorageTek 9840 data cartridge. The cleaning cartridges have the same physical specifications.

TABLE A-9 StorageTek 9840 Data Cartridge Physical and Performance Specifications

Characteristic	Value
Cartridge physical data	
Drive compatibility	T9840A, T9840B, T9840C, T9840D
Form factor	1/2 in. cartridge, 3490/3490E
Width	10.9 cm (4.29 in.)
Length	12.5 cm (4.92 in.)
Height	2.54 cm (1.0 in.)
Weight	262 g (9.17 oz)
Drop strength	1.0 m (39.4 in.)
Tape media data	
Capacity, native (uncompressed)	20 GB (T9840A, T9840B) 40 GB ¹ (T9840C)
	
	75 GB ¹ (T9840D)
Tracks	288 (T9840A, T9840B, T9840C) 576 (T9840D)
Track following servo	Factory pre-recorded
Formulation	Advanced metal particle (AMP)
Physical thickness	9 microns
Physical length	271 m (889 ft)
Recordable length (including MIR)	251 m (823 ft)
Reliability	
Archival life	15-30 years
Short-length durability	80,000 write/read passes minimum
Long-life durability	6,500 write/read passes minimum
Load/unloads	10,000 minimum
Uncorrected bit error rate	1×10^{-18}
Permanent errors	Zero
1. VR ² is a trademark of Overland Storage. VR ² technology is used to achieve T9840C and T9840D capacity.	

Cartridge Care

StorageTek 9840 tape cartridges require care to ensure proper operation and longevity.

Handling



Caution – *Tape cartridge damage or data loss*: Handle tape cartridges properly.

Follow these guidelines to handle tape cartridges properly:

- Never open a data cartridge or touch the tape.
- Never carry data cartridges loosely in a container.
- Never expose the tape or cartridges to direct sunlight or moisture.
- Never expose a recorded data cartridge to magnetic fields.
- Always maintain a clean operating, working, and storage environment.

Storing

Always store tape cartridges in an environment with the specified range of temperature and humidity found in [“Tape Cartridge” on page 83](#). When storing tape cartridges, follow these recommendations:

- Never take data cartridges out of their protective wrapping until they are needed. Always use the tear string, not a sharp instrument, to remove the wrapping.
- Store data cartridges in a dirt-free environment that, if possible, duplicates the conditions of the data processing center.
- Before using data cartridges that have been in tape storage, *acclimate* the cartridges to the operating environment for at least 24 hours.

Identify a Damaged Cartridge



Caution – *Equipment damage*: Do not load a damaged cartridge.

Before loading a cartridge into a drive, look for the following problems:

- A cracked or broken case
- A dirty case (see [“Cleaning” on page 88](#))

- A missing or broken access door
- A damaged file-protect switch
- Liquid in the cartridge
- A loose label (replace or remove the label)
- Any other obvious damage

Cleaning

Wipe all dust, dirt, and moisture from the cartridge case with a lint-free cloth.

Shipping



Caution – Data cartridge damage: Ship data cartridges properly.

If you must ship tape cartridges, especially if they are for remote system backup, remote database duplication, or disaster recovery, follow these guidelines:

- Save the original factory packaging. Use it, or the equivalent, to package tape cartridges.
- Wrap the tape cartridges in plastic to block moisture and contamination from entering the tape cartridges.
- Pad the tape cartridges on all sides.
- Fill voids in the packaging with padding equivalent to the original padding, if you are using factory packaging to ship fewer tape cartridges than the packaging originally held, or if you are using other packaging.
- Label the outside of the shipping carton clearly with text or accepted symbols that indicate:
 - Do not expose to magnetic fields
 - Do not expose to moisture
 - This end up
 - Fragile

Glossary

This glossary defines terms and abbreviations in this publication.

Some of the definitions are taken from other glossaries. The letters in the parentheses that follow some definitions indicate the source of the definition:

(A) *The American National Standard Dictionary for Information Systems*, ANSI X3.172-1990, copyright 1990 by the American National Standards Institute (ANSI).

(E) The ANSI/Electronic Industries Association (EIA) Standard-440-A, *Fiber Optic Terminology*.

(I) *The Information Technology Vocabulary*, developed by Subcommittee 1, Joint Technical Committee 1, of the International Organization for Standardization and International Electro-technical Commission (ISO/IEC/JTC1/SC1).

(IBM) *The IBM Dictionary of Computing*, copyright 1994 by IBM.

(T) Draft international standards committee drafts, and working papers being developed by the ISO/IEC/JTC1/SC1.

A

access time The time interval between the instant at which a call for data is initialized and the instant at which the delivery of data is completed. (T)

address A character or group of characters that identifies a register, a particular part of storage, or some other data source or destination. (A)

alphanumeric Pertaining to data that consist of letters, digits, and usually other characters, such as punctuation marks. (T), (A).

B

beginning-of-tape (BOT) The location on a tape where written data begins.

- block** A collection of contiguous records recorded as a unit. Interblock gaps separate blocks, and each block can contain one or more records.
- buffer** A routine or storage that compensates for a difference in the rate of data flow, or the time of occurrence of events when transferring data from one device to another.
- burst** In data communication, a sequence of signals counted as one unit in accordance with a specific criterion or measure. (A)

C

- capacity** Total amount of User Data stored on one data cartridge in 8-bit bytes. *Synonymous with "User Capacity" or "Native Capacity"*. This is the capacity that the user sees after the ECC/Format/ERP and other overhead has been assessed (no compression).
- capacity, raw** Total amount of data stored on one data cartridge in 8-bit bytes before any ECC/Format/ERP and other overhead has been assessed (no compression).
- capacity, user** Total amount of data stored on one data cartridge in 8-bit bytes that is sent by the host computer. This is the capacity that the user sees after the ECC/Format/ERP and other overhead has been assessed (no compression).
- cartridge** A storage device that consists of magnetic tape on a supply reel in a protective housing.
- cartridge scratch loader** A device that attaches to a tape drive to automatically load and unload tape cartridges into and out of the drive.
- cleaning cartridge** A data cartridge that contains special material to clean the tape path in a transport or drive.
- compress** To save space by eliminating gaps, empty fields, redundancy, or unnecessary data to shorten the length of records or files. (IBM)
- condition** One of a set of specified values that a data item can assume. (IBM)
- conditioning time** The amount of time to prepare a tape cartridge for use in a T9840 Tape Drive.
- configuration** The manner in which the hardware and software of an information processing system is organized and interconnected. (T)
- connector** An electrical or optical part that joins two or more other parts.

D

- data error rate** The number of errors that occur per a measurable amount of data on a tape.
- data rate** The speed of a data transfer process, usually expressed in bits per second or bytes per second. (IBM)
- Data Security Erase (DSE)** A random binary pattern, over-writing existing data, from the point of an "Erase" command to the End of Tape point.

- data tape** A data cartridge formatted for use as a regular data tape for the system in which it is used.
 - data tracks** The regions of recorded tape containing user data formed as discreet longitudinal “tracks” (similar to railroad tracks).
 - diagnostics** Pertaining to the detection and isolation of errors in programs and faults in equipment.
 - drive** A drive controls the movement of the tape and records or reads the data on the tape as desired by the customer.
 - dump** To copy the contents of all or part of storage to collect error information.
 - dynamic host configuration protocol (DHCP)** An IP protocol that a host uses to obtain all necessary configuration information, including an IP address.
-

E

- emulation** The use of programming techniques and special machine features to permit a computing system to execute programs written for another system. (IBM)
- encryption** The translation of data into a secret code. Encryption is one of the most effective ways to achieve data security. To read an encrypted file, you must have access to a special key or password that enables you to decipher it.
- enterprise** A representation of the goals, organizational structure, business processes, and information resources and requirements of an enterprise. (IBM)
- Enterprise Systems Connection (ESCON)** A set of IBM products and services that provide a dynamically-connected environment within an enterprise. (IBM)
- environmental requirement** Any of the physical conditions required for the protection and proper operation of a functional unit; the requirement is usually specified as a nominal value and a tolerance range. For a device, there may be more than one set of environmental requirements; for example, one set for transport, another for storage, and another for operation. (T) (A)
- EOT** End of tape.
- error** A discrepancy between a computed, observed, or measured value or condition and the true, specified, or theoretically correct value or condition. (I) (A)
- ESCON** *See* Enterprise Systems Connection.
- ESCON channel** A channel having an Enterprise Systems Connection channel-to-control-unit I/O interface that uses optical cables as a transmission medium.
- ESD** Electrostatic Discharge.

F

fault symptom code

(FSC) A four-character hexadecimal code generated in response to an error to help isolate failures within the device. Some FSCs are for information purposes only.

FC *See* Fibre Channel.

fiber optics The branch of optical technology concerned with the transmission of radiant power through fibers made of transparent materials such as glass, fused silica, and plastic. (E)

fiber-optic cable A cable made of ultrathin glass or silica fibers which can transmit data using pulses of laser light. Fiber-optic cables have several advantages over copper cables: they have much less signal loss; they allow information to be transmitted at higher speeds and over longer distances; they are not affected by external electrical noise; and they are better for transmissions which require security.

Fibre Channel The National Committee for Information Technology Standards standard that defines an ultrahigh-speed, content-independent, multilevel data transmission interface that supports multiple protocols simultaneously. Fibre Channel supports connectivity to millions of devices over copper and/or fiber-optic physical media and provides the best characteristics of both networks and channels over diverse topologies.

fibres connection

(FICON) An ESA/390 and zSeries computer peripheral interface. The I/O interface uses ESA/390 and zSeries FICON protocols (FC-FS and FC-SB-2) over a Fibre Channel serial interface that configures units attached to a FICON-supported Fibre Channel communications fabric.

FICON channel A channel having a Fibre Channel connection (FICON) channel-to-control-unit I/O interface that uses optical cables as a transmission medium. May operate in either FC or FCV mode.

file-protect To prevent the erasure or overwriting of data stored on data cartridges. *See also* write-protect switch.

firmware An ordered set of instructions and data stored in a way that is functionally independent of main storage; for example, microprograms stored in ROM. (T)

FRU Field replaceable unit.

FSC Fault symptom code.

FTP File Transfer Protocol.

G

Gb Gigabit, equal to 10^9 bits.

Gbps Gigabits per second.

gigabyte (GB) One $\times 2^{30}$ bytes (binary), or 1×10^9 (decimal).

H

- hardware** All or part of the physical components of an information processing system, such as computers or peripheral devices. (T) (A)
- host** The primary computer on a network, with which other computers interact.
- host interface** An interface between a network and host computer. (T)
- hub** A Fibre Channel Arbitrated Loop switching device that allows multiple servers and targets, such as storage systems, to connect at a central point. A single hub configuration appears as a single loop.

I

- indicator** A device that provides a visual or other indication of the existence of a defined state. (T)
- Initial Program Load (IPL)** The initialization procedure that causes an operating system to commence operation.
- initialization** The operations required for setting a device to a starting state, before the use of a data medium, or before implementation of a process. (T)
- input/output (I/O)** Pertaining to a device, process, or channel involved in data input, data output, or both. (IBM)
- internet protocol (IP)** A protocol used to route data from its source to its destination in an Internet environment. (IBM)
- internet protocol (IP) v4 address** A four-byte value that identifies a device and makes it accessible through a network. The format of an IP address is a 32-bit numeric address written as four numbers separated by periods. Each number can be from 0 to 255. For example, 129.80.145.23 could be an IP address.
- internet protocol (IP) v6 address** The next generation internet protocol. It provides a much larger address space than IPv4. This is based upon the definition of a 128-bit address - IPv4 used a 32-bit address. The IPv6 address format is eight fields of four hexadecimal characters separated by colons (such as, 2001:0db8:85a3:0000:0000:8a2e:0370:7334).
- IP** See internet protocol.

L

- library** A robotic system that stores, moves, mounts, and dismounts data cartridges that are used in data read or write operations.

- link** A physical connection (electrical or optical) between two nodes of a network.
- loader** The device that physically loads data cartridges for use.

M

- magnetic tape** A tape with a magnetizable layer on which data can be stored. (T)
- manual operation** Processing of data in a system by direct manual techniques. (IBM)
- MB** Megabytes, or 1,048,576 bytes.
- menu** A list of options displayed to the user by a data processing system, from which the user can select an action to be initiated. (T)
- Multiple Virtual Storage (MVS)** IBM's Multiple Virtual Storage, consisting of MVS/System Product Version 1 and the MVS/370 Data Facility Product operating on a System/370 processor. (IBM).
- Multiple Virtual Storage/Enterprise Systems Architecture (MVS/ESA)** An extended version of IBM's MVS.
- MVS** *See* Multiple Virtual Storage
- MVS/ESA** *See* Multiple Virtual Storage/Enterprise Systems Architecture

N

- network** An arrangement of nodes and branches that connects data processing devices to one another through software and hardware links to facilitate information interchange.

O

- offline** Neither controlled by, nor communicating with, a computer. (IBM)
- online** Pertaining to the operation of a functional unit when under the direct control of the computer. (T)
- operator control panel** A functional unit that contains switches used to control all or part of a computer and possibly the indicators giving information about its functioning. (T)

P

- performance** One of two major factors on which the total productivity of a system depends. Performance is largely determined by a combination of throughput, response time, and availability. (IBM)
- port** A specific communications end point within a host. A port is identified by a port number. (IBM)

R

- R/W** Read/write
- read/write head** The data sensing and recording unit of a tape drive. (IBM)
- reclaim** The act of overwriting a 9840 legacy data cartridge by a newer generation drive. For example, a cartridge written by a T9840A drive can be overwritten (reclaimed) by either a T9840C or T9840D drive while a cartridge written by a T9840C drive can be reclaimed by a T9840D drive.
- release** A distribution of a new product or new function and fixes for an existing product. (IBM)
- rewind** To move tape from the take-up hub to the supply hub. (IBM)
- ROM** Read-only memory.

S

- SCSI** *See* small computer system interface.
- SLC** *See* StorageTek Library Console.
- small computer system interface (SCSI)** An input and output bus that provides a standard interface between devices.
- StorageTek Library Console** The operator panel software application used for the SL8500 Modular Library System.
- submenu** A menu related to and reached from a main menu. (IBM)
- subsystem** A system that is part of some larger system.
- switch** In Fibre Channel technology, a device that connects Fibre Channel devices together in a fabric.
- system** A combination of functionally interrelated interacting mechanical and electrical elements designed to work as a coherent entity.

T

- tape** *See* magnetic tape.
- tape drive** A device for moving magnetic tape and controlling its movement. (T)
- TCP/IP** Transmission Control Protocol/Internet Protocol.
- transmission control protocol/internet protocol (TCP/IP)** A set of communication protocols that support peer-to-peer connectivity functions for both local and wide area networks. (IBM)

V

- vary offline** To change the status of a device from online to offline. When a device is offline, no data set may be opened on that device. (IBM)
- vary online** To restore a device to a state where it is available for use by the system. (IBM)
- VolSafe** VolSafe (volume safe) is a special StorageTek feature that provides write once, read many (WORM) technology to VolSafe-designated tape cartridges. VolSafe permits new data to only append the tape media, while it prevents erasure or overwrite of previously written data.
- VOLSER** 1. VOLume SERial Number. It is usually six characters long and is both the paper label stuck on the back edge of the cartridge and in the VOLID label that is recorded, particularly by MVS systems, at the beginning of the media.
2. An alphanumeric label that the host software uses to identify a volume. It attaches to the spine of a cartridge and is both human- and machine-readable.

W

- wrap** A single pass of tape from either BOT to EOT or EOT to BOT with the heads in a fixed transverse location.
- write-enabled** A setting on a data cartridge that allows data to be written on the tape.
- write operation** An output operation that sends a processed record to an output device or output file. (IBM)
- write-protected** A setting on a data cartridge that prevents data from being written on the tape. Reading data is still possible.

Index

Symbols

* (asterisk) message 72

A

activity indicator 35
address
 IPv6 18, 39, 59
ASIA Diags message 72

B

Bank n Bad message 72
Boot Fail message 72
BT Monitor message 72
build MIR 69
Build MIR command 58
button. See switches 38

C

cartridge
 care of 87
 description 24
 handling 87
 identify damage 87
 manual unload device 35
 media ID labels 24
 mixed media management 25
 read/write compatibility 25
 shipping 88
 storing of 87
 VolSafe 24
 write protect 62
cartridge case cleaning 88
cartridge scratch loader, description 21
CC Diags message 72
Chk xxxx message 72
clean indicator 35
clean the drive 65
cleaning cartridge overview 24
Cleaning message 72
CodCrFail1 message 73

CodCrFail2 message 73
CodeUpDate message 73
CodUpFail1 message 73
CodUpFail2 message 73
CodUpFail3 message 73
CodUpFail4 message 73
compatibility, read/write 25
configurations
 cartridge scratch loader 21
 library attached 22
 manual load units 20
Customer Initiated Maintenance (CIM) 15

D

damaged cartridge identification 87
data cartridge
 load 63
 make 68
 shipping 88
 unload 64
DatCrFail1 message 73
dimensions, tape drive 79, 80
display folder 44
display, tape drive 36
DmpCrFail1 message 73
DmpCrFail2 message 73
DmpWrFail1 message 73
DmpWrFail2 message 73
drive
 configurations
 cartridge scratch loader 21
 library attached 22
 manual load drive 20
 interfaces 23
 load/unload slot 34
 manual unload device 35
 operations menu 58
 read/write compatibility 25
DumpAgain? message 74
DumpToHost message 74

E

- encryption
 - description of 18
 - status LED 19
- Exp Cl Cart message 74

F

- fault LED 40
- FIPS Level 2 18
- firmware release level. determination 67
- Fix Cfg Err message 74
- folder
 - display 44
 - properties 43
 - SLC 41
 - status 42

G

- glossary 89

H

- handling cartridges 87

I

- indicator
 - activity 35
 - clean 35
 - encryption status 19
 - operator panel 34
 - power 35
 - service 35
 - user actions 71
- Init xxxx message 74
- interface of the drive 23
- IPL 61
 - switch 38
- IPL From Tp command 58
- IPL Pend message 74
- IPv6 address 18, 39, 59

L

- label
 - media ID 24
- LED
 - activity 35
 - clean 35
 - encryption status 19
 - fault 40
 - operator panel 34
 - power 35
 - PWR 40
 - service 35
- library attached drive, description 22
- load a data cartridge 63

- Load CC message 74
- Load ESCON message 74
- Load FIBRE message 74
- Load FICON message 74
- Load SCSI message 74
- Load xxxx message 74
- load/unload slot 34
- Loading message 74
- Locating message 74

M

- MakeCodeTp command 58
- MakeDataTp command 58
- MakeDumpTP command 58
- management of mixed media 25
- manual
 - containing related information 13
- manual load drive, description 20
- manual unload device 35
- media, cartridge management 25
- Memory Err message 74
- menu
 - operations
 - offline 56
 - online 47
 - overview 45
 - structure overview 45
 - switch 38
- messages
 - * (asterisk) 72
 - ASIA Diags 72
 - Bank n Bad 72
 - Boot Fail 72
 - BT Monitor 72
 - CC Diags 72
 - Chk xxxx 72
 - Cleaning 72
 - CodCrFail1 73
 - CodCrFail2 73
 - CodeUpDate 73
 - CodUpFail1 73
 - CodUpFail2 73
 - CodUpFail3 73
 - CodUpFail4 73
 - DatCrFail1 73
 - DmpCrFail1 73
 - DmpCrFail2 73
 - DmpWrFail1 73
 - DmpWrFail2 73
 - DumpAgain? 74
 - DumpToHost 74
 - Exp Cl Cart 74
 - Fix Cfg Err 74
 - Init xxxx 74

- IPL Pend 74
- Load CC 74
- Load ESCON 74
- Load FIBRE 74
- Load FICON 74
- Load SCSI 74
- Load xxxx 74
- Loading 74
- Locating 74
- Memory Err 74
- NTReady A 74
- NTReady F 74
- NTReady U 74
- Offline 68
- Offline alternating with * (asterisk) 74
- Online 75
- OnLn Pend 75
- operator panel display 72
- operator panel display, translated 77
- Power Fail 75
- Reading 75
- Ready A 75
- Ready F 75
- Ready H 75
- Ready L 75
- Ready U 75
- Rewinding 75
- Save Fails 75
- Saving Dump 75
- Start Init 75
- Trapped 75
- Unloading 75
- UnWr xxxx 75
- Write Prot 75
- Writing 75
- xxxx Dmp y 73
- messages, tape drive display 36
- MIR, build 69

N

- NTReady A message 74
- NTReady F message 74
- NTReady U message 74

O

- offline
 - menu system 56
 - setting the drive 67
- Offline alternating with * (asterisk) message 74
- Offline message 68
- online
 - menu 47
 - setting the drive 66
- Online message 75
- OnLn Pend message 75

- operator panel
 - display messages 72
 - menu system 45
 - switches 38
 - tape drive 34
- overview menus structure 45

P

- package a cartridge for shipping 88
- place the drive offline 67
- place the drive online 66
- Power Fail message 75
- power indicator 35
- power-off the drive 60
- power-on the drive 60
- properties folder 43
- publication
 - containing related information 13
- PWR, LED 40

R

- ReadCustTp command 58
- Reading message 75
- Ready A message 75
- Ready F message 75
- Ready H message 75
- Ready L message 75
- Ready U message 75
- related publications 13
- Rewinding message 75

S

- Save Fails message 75
- Saving Dump message 75
- select switch 38
- service indicator 35
- shipping a cartridge 88
- SL8500 drive tray LED 40
- SLC, folder 41
- slot, load/unload 34
- SrvoLdUnld command 58
- Start Init message 75
- status folder 42
- store a data cartridge 87
- structure of menus 45
- switches, operator panel 38

T

- tape bar 36
- tape drive
 - interfaces 23
- task, operator

- build MIR 69
- clean the drive 65
- IPL the drive 61
- load data cartridge 63
- make a data cartridge 68
- place the drive offline 67
- place the drive online 66
- power-off the drive 60
- power-on the drive 60
- unload data cartridge 64
- view drive configuration 66
- view firmware level 67
- write protect a cartridge 62

translated messages 77

Trapped message 75

U

- unload a data cartridge 64
- unload switch 38
- Unloading message 75
- UnWr xxxx message 75
- user response to indicators 71

V

- vary the tape drive offline 67
- vary the tape drive online 66
- view
 - drive configuration 66
 - firmware level 67
 - online main menu
 - drive 47
 - entry point 47
 - exit 47
 - fibre channel drives 47
 - FICON drives 47
 - firmware 47
- VolSafe cartridge 24

W

- W/R Diag command 58
- WORM, see VolSafe 24
- Write Prot message 75
- write protection, cartridge 62
- Writing message 75

X

- xxxx Dmp y message 73