



Sun Cluster 3.0-3.1 With Sun StorEdge 6120 Array Manual for Solaris OS

Sun Microsystems, Inc.
4150 Network Circle
Santa Clara, CA 95054
U.S.A.

Part No: 817-1701-14
January 2006, Revision A

Copyright 2006 Sun Microsystems, Inc. 4150 Network Circle, Santa Clara, CA 95054 U.S.A. All rights reserved.

Sun Microsystems, Inc. has intellectual property rights relating to technology embodied in the product that is described in this document. In particular, and without limitation, these intellectual property rights may include one or more U.S. patents or pending patent applications in the U.S. and in other countries.

U.S. Government Rights – Commercial software. Government users are subject to the Sun Microsystems, Inc. standard license agreement and applicable provisions of the FAR and its supplements.

This distribution may include materials developed by third parties.

Parts of the product may be derived from Berkeley BSD systems, licensed from the University of California. UNIX is a registered trademark in the U.S. and other countries, exclusively licensed through X/Open Company, Ltd.

Sun, Sun Microsystems, the Sun logo, the Solaris logo, the Java Coffee Cup logo, docs.sun.com, Java, and Solaris are trademarks or registered trademarks of Sun Microsystems, Inc. in the U.S. and other countries. All SPARC trademarks are used under license and are trademarks or registered trademarks of SPARC International, Inc. in the U.S. and other countries. Products bearing SPARC trademarks are based upon an architecture developed by Sun Microsystems, Inc.

The OPEN LOOK and Sun™ Graphical User Interface was developed by Sun Microsystems, Inc. for its users and licensees. Sun acknowledges the pioneering efforts of Xerox in researching and developing the concept of visual or graphical user interfaces for the computer industry. Sun holds a non-exclusive license from Xerox to the Xerox Graphical User Interface, which license also covers Sun's licensees who implement OPEN LOOK GUIs and otherwise comply with Sun's written license agreements.

Products covered by and information contained in this publication are controlled by U.S. Export Control laws and may be subject to the export or import laws in other countries. Nuclear, missile, chemical or biological weapons or nuclear maritime end uses or end users, whether direct or indirect, are strictly prohibited. Export or reexport to countries subject to U.S. embargo or to entities identified on U.S. export exclusion lists, including, but not limited to, the denied persons and specially designated nationals lists is strictly prohibited.

DOCUMENTATION IS PROVIDED "AS IS" AND ALL EXPRESS OR IMPLIED CONDITIONS, REPRESENTATIONS AND WARRANTIES, INCLUDING ANY IMPLIED WARRANTY OF MERCHANTABILITY, FITNESS FOR A PARTICULAR PURPOSE OR NON-INFRINGEMENT, ARE DISCLAIMED, EXCEPT TO THE EXTENT THAT SUCH DISCLAIMERS ARE HELD TO BE LEGALLY INVALID.

Copyright 2006 Sun Microsystems, Inc. 4150 Network Circle, Santa Clara, CA 95054 U.S.A. Tous droits réservés.

Sun Microsystems, Inc. détient les droits de propriété intellectuelle relatifs à la technologie incorporée dans le produit qui est décrit dans ce document. En particulier, et ce sans limitation, ces droits de propriété intellectuelle peuvent inclure un ou plusieurs brevets américains ou des applications de brevet en attente aux Etats-Unis et dans d'autres pays.

Cette distribution peut comprendre des composants développés par des tierces personnes.

Certaines composants de ce produit peuvent être dérivées du logiciel Berkeley BSD, licenciés par l'Université de Californie. UNIX est une marque déposée aux Etats-Unis et dans d'autres pays; elle est licenciée exclusivement par X/Open Company, Ltd.

Sun, Sun Microsystems, le logo Sun, le logo Solaris, le logo Java Coffee Cup, docs.sun.com, Java et Solaris sont des marques de fabrique ou des marques déposées de Sun Microsystems, Inc. aux Etats-Unis et dans d'autres pays. Toutes les marques SPARC sont utilisées sous licence et sont des marques de fabrique ou des marques déposées de SPARC International, Inc. aux Etats-Unis et dans d'autres pays. Les produits portant les marques SPARC sont basés sur une architecture développée par Sun Microsystems, Inc.

L'interface d'utilisation graphique OPEN LOOK et Sun™ a été développée par Sun Microsystems, Inc. pour ses utilisateurs et licenciés. Sun reconnaît les efforts de pionniers de Xerox pour la recherche et le développement du concept des interfaces d'utilisation visuelle ou graphique pour l'industrie de l'informatique. Sun détient une licence non exclusive de Xerox sur l'interface d'utilisation graphique Xerox, cette licence couvrant également les licenciés de Sun qui mettent en place l'interface d'utilisation graphique OPEN LOOK et qui, en outre, se conforment aux licences écrites de Sun.

Les produits qui font l'objet de cette publication et les informations qu'il contient sont régis par la législation américaine en matière de contrôle des exportations et peuvent être soumis au droit d'autres pays dans le domaine des exportations et importations. Les utilisations finales, ou utilisateurs finaux, pour des armes nucléaires, des missiles, des armes chimiques ou biologiques ou pour le nucléaire maritime, directement ou indirectement, sont strictement interdites. Les exportations ou réexportations vers des pays sous embargo des Etats-Unis, ou vers des entités figurant sur les listes d'exclusion d'exportation américaines, y compris, mais de manière non exclusive, la liste de personnes qui font objet d'un ordre de ne pas participer, d'une façon directe ou indirecte, aux exportations des produits ou des services qui sont régis par la législation américaine en matière de contrôle des exportations et la liste de ressortissants spécifiquement désignés, sont rigoureusement interdites.

LA DOCUMENTATION EST FOURNIE "EN L'ETAT" ET TOUTES AUTRES CONDITIONS, DECLARATIONS ET GARANTIES EXPRESSES OU TACITES SONT FORMELLEMENT EXCLUES, DANS LA MESURE AUTORISEE PAR LA LOI APPLICABLE, Y COMPRIS NOTAMMENT TOUTE GARANTIE IMPLICITE RELATIVE A LA QUALITE MARCHANDE, A L'APTITUDE A UNE UTILISATION PARTICULIERE OU A L'ABSENCE DE CONTREFAÇON.



060118@13215



Contents

Preface	5
1 Installing and Maintaining a Sun StorEdge 6120 Array	11
Installing Storage Arrays	11
Storage Array Cabling Configurations	12
▼ How to Install a Single-Controller Configuration in a New Cluster	17
▼ How to Install a Dual-Controller Configuration in a New Cluster	19
How to Add a Single-Controller Configuration to an Existing Cluster	22
▼ How to Perform Initial Configuration Tasks on the Storage Array	22
▼ How to Connect the Storage Array to FC Switches	23
▼ How to Connect the Node to the FC Switches or the Storage Array	24
How to Add a Dual-Controller Configuration to an Existing Cluster	26
▼ How to Perform Initial Configuration Tasks on the Storage Array	26
▼ How to Connect the Storage Array to FC Switches	27
▼ How to Connect the Node to the FC Switches or the Storage Array	28
Configuring Storage Arrays	31
▼ How to Create a Logical Volume	31
▼ How to Remove a Logical Volume	33
Maintaining Storage Arrays	35
StorEdge 6120 Array FRUs	36
▼ How to Upgrade Storage Array Firmware	37
▼ How to Remove a Single-Controller Configuration	37
▼ How to Remove a Dual-Controller Configuration	40
Replacing a Node-to-Switch Component	42
▼ How to Replace a Node-to-Switch Component in a Cluster That Uses Multipathing	42

- ▼ How to Replace a Node-to-Switch Component in a Cluster Without Multipathing 43
- ▼ How to Replace a Host Adapter 44

Index 47

Preface

The *Sun Cluster 3.0-3.1 With Sun StorEdge 6120 Array Manual for Solaris OS* provides procedures specific to Sun™ StorEdge™ 6120 arrays in dual-controller configurations and in single-controller configurations that are placed in a Sun™ Cluster environment.

Use this manual with any version of Sun Cluster 3.0 or 3.1 software on SPARC® based clusters and any supported version of Sun Cluster 3.1 software on x86 based clusters. Unless otherwise noted, procedures are the same for all supported Sun Cluster versions. See the [“Revision History”](#) on page 6 for a list of changes to this manual.

Note – In this document, the term “x86” refers to the Intel 32-bit family of microprocessor chips and compatible microprocessor chips made by AMD.

Sun Cluster software runs on two platforms, SPARC and x86. The information in this document pertains to both platforms unless otherwise specified in a special chapter, section, note, bulleted item, figure, table, or example.

Who Should Use This Book

This book is for Sun representatives who are performing the initial installation of a Sun Cluster configuration and for system administrators who are responsible for maintaining the system.

This document is intended for experienced system administrators with extensive knowledge of Sun software and hardware. Do not use this document as a planning or presales guide. You should have already determined your system requirements and purchased the appropriate equipment and software before reading this document.

How This Book Is Organized

This book contains one chapter with the following major sections.

Section 1 discusses how to install Sun StorEdge 6120 storage arrays.

Section 2 discusses how to configure logical units on Sun StorEdge 6120 storage arrays.

Section 3 describes how to maintain Sun StorEdge 6120 storage arrays in a running cluster.

Revision History

The following table lists the information that has been revised or added since the initial release of this documentation. The table also lists the revision date for these changes.

TABLE P-1 Sun Cluster 3.0-3.1 With Sun StorEdge 6120 Array Manual for Solaris OS

Revision Date	New Information
January 2006	Added information about single, dual-port HBA configurations.
November 2005	Extended support to x86 based clusters.

Related Documentation

The following books provide conceptual information or procedures to administer hardware and applications. If you plan to use this documentation in a hardcopy format, ensure that you have these books available for your reference.

The following Sun Cluster books support the Sun Cluster 3.1, 2004, and 2005 releases. If you are maintaining a different version of Sun Cluster software, refer to the appropriate documentation. All Sun Cluster documentation is available at <http://docs.sun.com>.

Documentation that is not available at <http://docs.sun.com> is listed with the appropriate URL.

TABLE P-2 Hardware Documentation

Title	Part Number
<i>Sun StorEdge Traffic Manager Software Release Notes: For the Solaris Operating System</i>	817-0385
<i>Sun StorEdge Traffic Manager Installation and Configuration Guide</i>	816-1420
<i>Sun StorEdge 6120 Array Release Notes</i>	817-0201
Available on http://www.sun.com/products-n-solutions/hardware/docs	
<i>Sun StorEdge 6020 and 6120 Array System Manual</i>	817-0200
Available on http://www.sun.com/products-n-solutions/hardware/docs	
<i>Sun StorEdge 6120 Array Installation Guide</i>	817-0199
Available on http://www.sun.com/products-n-solutions/hardware/docs	

TABLE P-3 Sun Cluster Documentation

Application	Title
Concepts	<i>Sun Cluster Concepts Guide for Solaris OS</i>
Overview	<i>Sun Cluster Overview for Solaris OS</i>
Hardware administration	<i>Sun Cluster 3.0-3.1 Hardware Administration Manual for Solaris OS</i> Individual hardware administration guides
Software installation	<i>Sun Cluster Software Installation Guide for Solaris OS</i>
Data service administration	<i>Sun Cluster Data Services Planning and Administration Guide for Solaris OS</i> Individual data service guides
Data service development	<i>Sun Cluster Data Services Developer's Guide for Solaris OS</i>
System administration	<i>Sun Cluster System Administration Guide for Solaris OS</i>
Error messages	<i>Sun Cluster Error Messages Guide for Solaris OS</i>
Command and function reference	<i>Sun Cluster Reference Manual for Solaris OS</i>
Release Notes	<i>Sun Cluster 3.1 8/05 Release Notes for Solaris OS</i> <i>Sun Cluster 3.0-3.1 Release Notes Supplement</i>

Using UNIX Commands

This document contains information about commands that are used to install, configure, or upgrade a Sun Cluster configuration. This document might not contain complete information about basic UNIX® commands and procedures such as shutting down the system, booting the system, and configuring devices.

See one or more of the following sources for this information:

- Online documentation for the Solaris™ Operating System (Solaris OS)
- Other software documentation that you received with your system
- Solaris Operating System man pages

Getting Help

If you have problems installing or using Sun Cluster, contact your service provider and provide the following information.

- Your name and email address (if available)
- Your company name, address, and phone number
- The model number and serial number of your systems
- The release number of the operating environment (for example, Solaris 9)
- The release number of Sun Cluster (for example, Sun Cluster 3.1 8/05)

Use the following commands to gather information about your system for your service provider.

Command	Function
<code>prtconf -v</code>	Displays the size of the system memory and reports information about peripheral devices
<code>psrinfo -v</code>	Displays information about processors
<code>showrev -p</code>	Reports which patches are installed
<code>prtdiag -v</code>	Displays system diagnostic information
<code>/usr/cluster/bin/scinstall -pv</code>	Displays Sun Cluster release and package version information

Also have available the contents of the `/var/adm/messages` file.

Documentation, Support, and Training

The Sun web site provides information about the following additional resources:

- Documentation (<http://www.sun.com/documentation/>)
 - Support (<http://www.sun.com/support/>)
 - Training (<http://www.sun.com/training/>)
-

Typographic Conventions

The following table describes the typographic conventions that are used in this book.

TABLE P-4 Typographic Conventions

Typeface	Meaning	Example
AaBbCc123	The names of commands, files, and directories, and onscreen computer output	Edit your <code>.login</code> file. Use <code>ls -a</code> to list all files. <code>machine_name% you have mail.</code>
AaBbCc123	What you type, contrasted with onscreen computer output	<code>machine_name% su</code> <code>Password:</code>
<i>aabbcc123</i>	Placeholder: replace with a real name or value	The command to remove a file is <code>rm filename</code> .
<i>AaBbCc123</i>	Book titles, new terms, and terms to be emphasized	Read Chapter 6 in the <i>User's Guide</i> . <i>A cache</i> is a copy that is stored locally. Do <i>not</i> save the file. Note: Some emphasized items appear bold online.

Shell Prompts in Command Examples

The following table shows the default UNIX[®] system prompt and superuser prompt for the C shell, Bourne shell, and Korn shell.

TABLE P-5 Shell Prompts

Shell	Prompt
C shell	machine_name%
C shell for superuser	machine_name#
Bourne shell and Korn shell	\$
Bourne shell and Korn shell for superuser	#

Product Training

Sun Microsystems offers training in many Sun technologies through a variety of instructor-led courses and self-paced courses. For information about the training courses that Sun offers and to enroll in a class, visit Sun Training at <http://training.sun.com/>.

Installing and Maintaining a Sun StorEdge 6120 Array

This chapter contains the procedures about how to install, configure, and maintain a Sun TMStorEdgeTM 6120 array in dual-controller configurations and in single-controller configurations. These procedures are specific to a Sun StorEdge 6120 array in a SunTM Cluster environment.

This chapter contains the following main topics:

- [“Installing Storage Arrays” on page 11](#)
- [“Configuring Storage Arrays” on page 31](#)
- [“Maintaining Storage Arrays” on page 35](#)

Installing Storage Arrays

This section contains the procedures for installing single-controller and dual-controller storage array configurations in new and existing Sun Cluster configurations. The following table lists these procedures.

TABLE 1-1 Task Map: Installing a Storage Array

Task	Information
Installing arrays in a new cluster, using a single-controller configuration	“How to Install a Single-Controller Configuration in a New Cluster” on page 17
Installing arrays in a new cluster, using a dual-controller configuration	“How to Install a Dual-Controller Configuration in a New Cluster” on page 19

TABLE 1-1 Task Map: Installing a Storage Array (Continued)

Task	Information
Adding arrays to an existing cluster, using a single-controller configuration.	“How to Add a Single-Controller Configuration to an Existing Cluster” on page 22
Adding arrays to an existing cluster, using a dual-controller configuration.	“How to Add a Dual-Controller Configuration to an Existing Cluster” on page 26

Storage Array Cabling Configurations

You can install your storage array in several different configurations. Use the *Sun StorEdge 6120 Array Installation Guide* to evaluate your needs and determine which configuration is best for your situation.

The following figures illustrate example configurations.

[Figure 1-1](#) shows two storage arrays, and two have controllers. The storage arrays connect to a 2-node cluster through two switches. Dual-controller configurations require software RAID-1 (host-based mirroring).

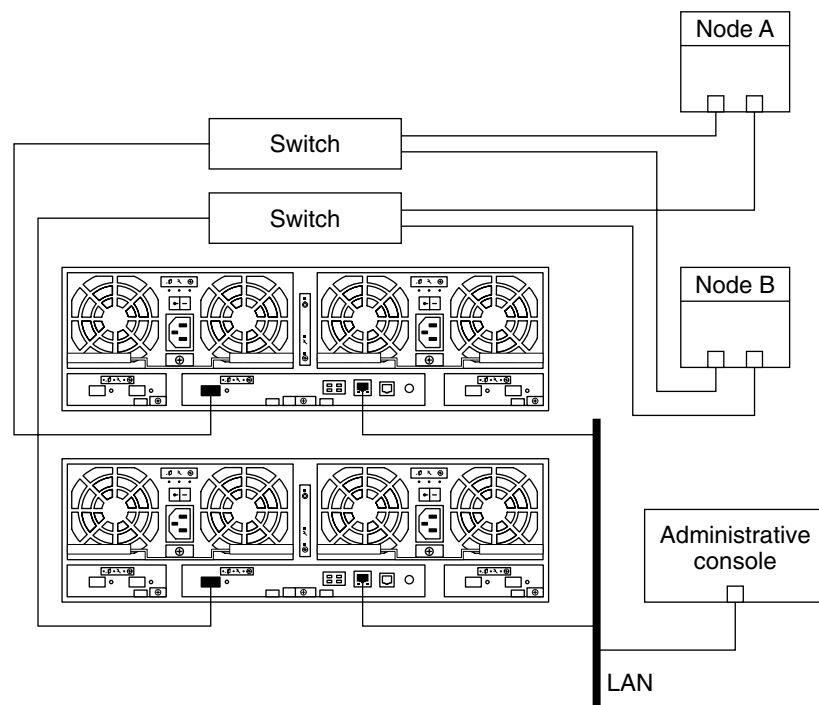


FIGURE 1-1 Installing a 1x1 Configuration With Software RAID-1

Figure 1-2 shows four storage arrays, and two have controllers. The first storage array without a controller connects to the second storage array, which has a controller. The third storage array without a controller connects to the fourth storage array, which has a controller. The two storage arrays with controllers connect to a 2-node cluster through two switches. Dual-controller configurations require software RAID-1 (host-based mirroring).

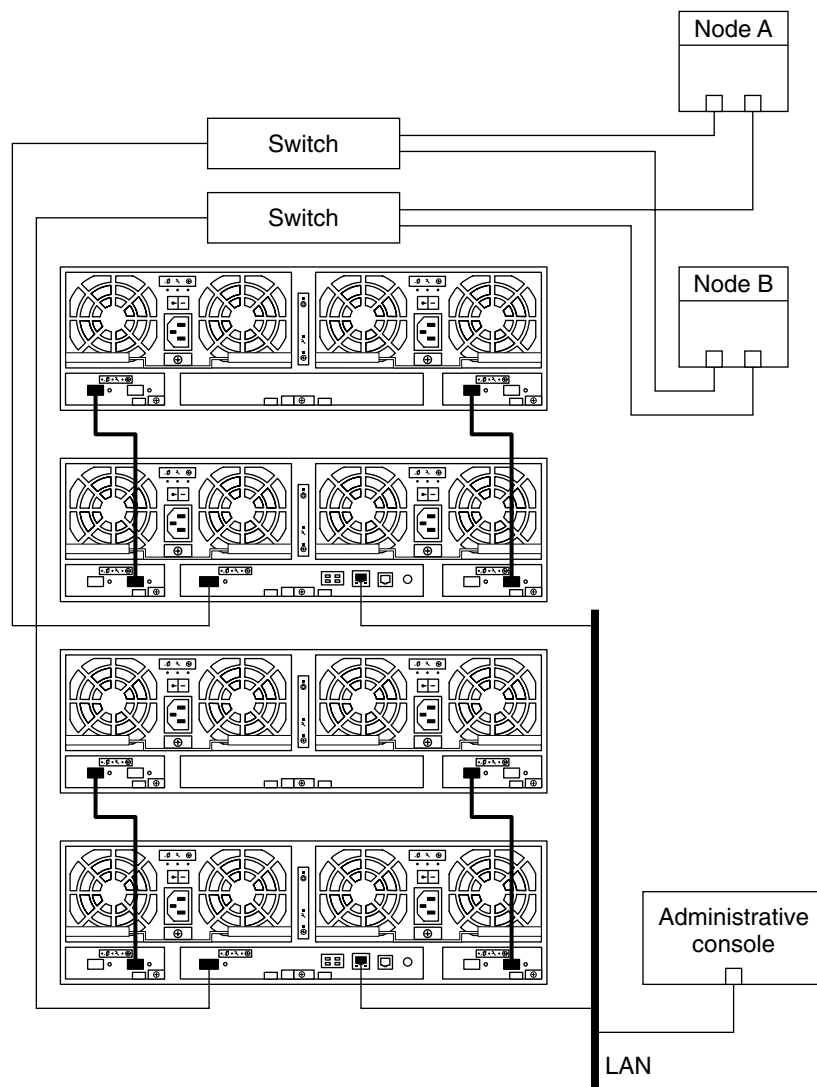


FIGURE 1-2 Installing a 1x2 Configuration With Software RAID-1

Figure 1-3 shows two storage arrays, and two have controllers. The two storage arrays are daisy-chained. The two storage arrays connect to a 2-node cluster through two switches.

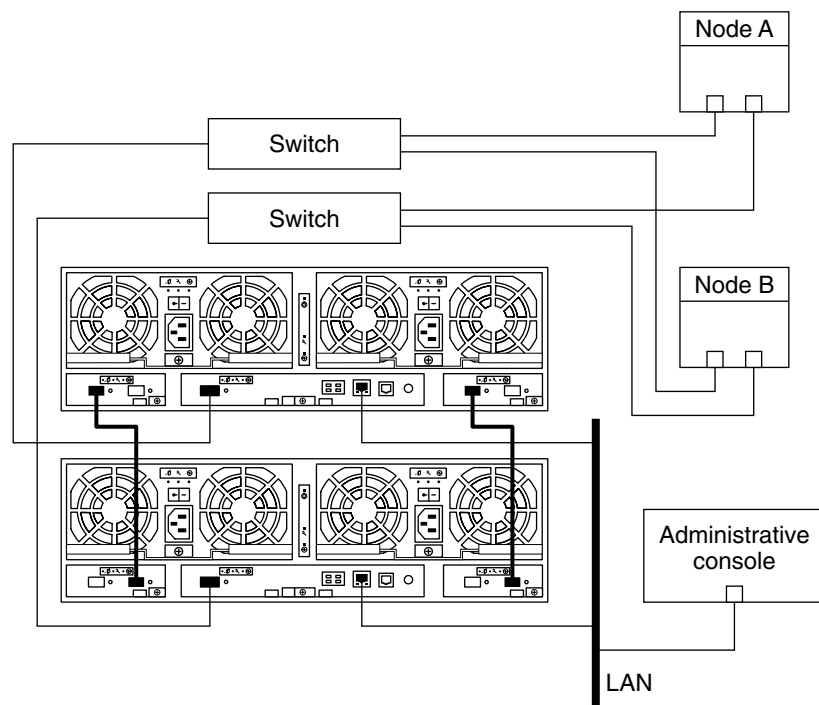


FIGURE 1-3 Installing a 2x2 Configuration

Figure 1-4 shows four storage arrays, and two have controllers. All storage array are daisy-chained in the following order: alternate master, master, alternate master, and master. The two storage arrays with controllers connect to a 2-node cluster through two switches.

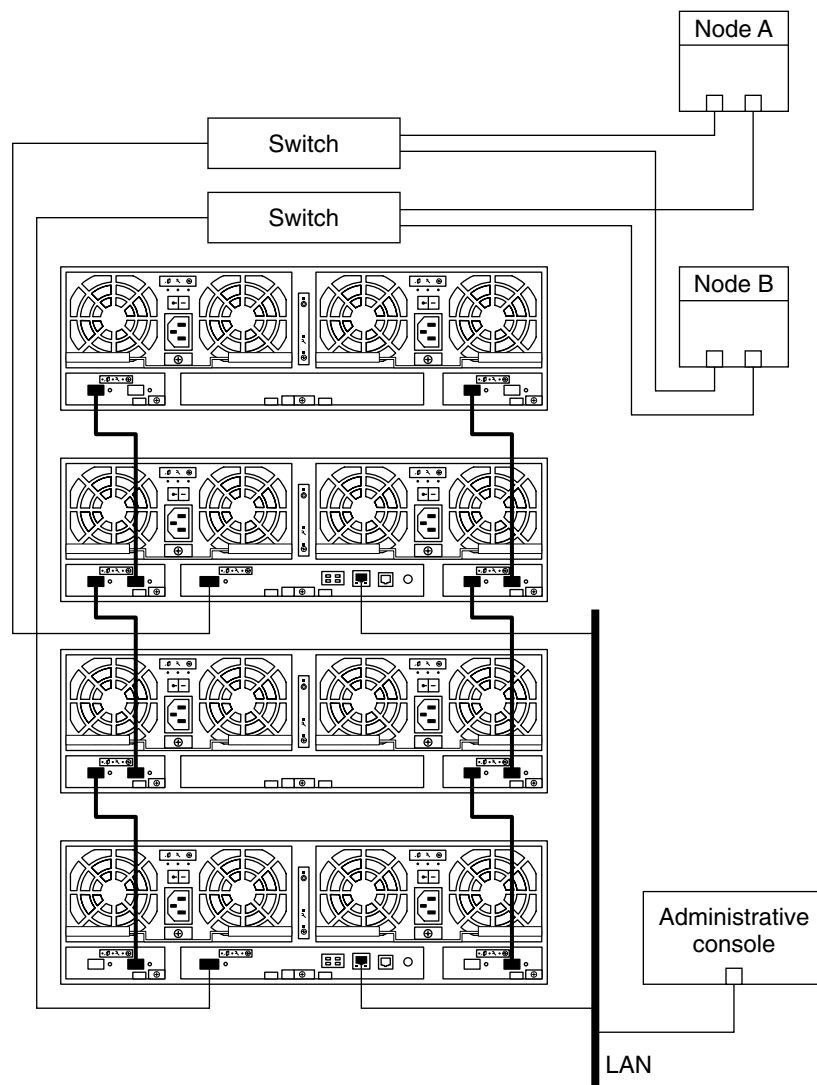


FIGURE 1-4 Installing a 2x4 Configuration

▼ How to Install a Single-Controller Configuration in a New Cluster

Use this procedure to install a storage array in a single-controller configuration *before* you install the Solaris operating environment and Sun Cluster software on your nodes. The following procedures contain instructions for other array-installation situations:

- “How to Install a Dual-Controller Configuration in a New Cluster” on page 19
- “How to Add a Single-Controller Configuration to an Existing Cluster” on page 22
- “How to Add a Dual-Controller Configuration to an Existing Cluster” on page 26

Steps 1. **Install the host adapters in the nodes that are to be connected to the storage array.**

For the procedure about how to install host adapters, see the documentation that shipped with your host adapters and nodes.

2. **Install the Fibre Channel (FC) switches.**

For the procedure about how to install FC switches, see the documentation that shipped with your FC switch hardware.

3. **Set up a Reverse Address Resolution Protocol (RARP) server on the network on which the new storage array is to reside.**

Use the RARP server to set up the following network settings.

- IP address
- gateway (if necessary)
- netmask (if necessary)
- hostname

For the procedure about how to set up a RARP server, see the *Sun StorEdge 6120 Array Installation Guide*.

4. **Cable the storage arrays.**

For the procedures on how to connect your storage array, see the *Sun StorEdge 6120 Array Installation Guide*.

- a. **Connect the storage arrays to the FC switches by using fiber-optic cables.**
- b. **Connect the Ethernet cables from each storage array to the Local Area Network (LAN).**
- c. **If necessary, install the interconnect cables between storage arrays.**
- d. **Connect the power cords to each storage array.**

5. **Power on the storage array.**

Verify that all components are powered on and functional.

Note – The storage array might require a few minutes to boot.

For the procedure about how to power on a storage array, see the *Sun StorEdge 6120 Array Installation Guide*.

6. Install any required controller firmware for the storage arrays.

For the required controller firmware for the storage array, see the *Sun StorEdge 6120 Array Release Notes*.

PatchPro is a patch-management tool that eases the selection and download of patches required for installation or maintenance of Sun Cluster software. PatchPro provides an Interactive Mode tool especially for Sun Cluster. The Interactive Tool makes the installation of patches easier. PatchPro's Expert Mode tool helps you to maintain your configuration with the latest set of patches. Expert Mode is especially useful for obtaining all of the latest patches, not just the high availability and security patches.

To access the PatchPro tool for Sun Cluster software, go to <http://www.sun.com/PatchPro/>, click Sun Cluster, then choose either Interactive Mode or Expert Mode. Follow the instructions in the PatchPro tool to describe your cluster configuration and download the patches.

For third-party firmware patches, see the SunSolveSM Online site at <http://sunsolve.ebay.sun.com>.

7. Ensure that the cache and mirror settings for each storage array are set to auto.

For more information, see the *Sun StorEdge 6020 and 6120 Array System Manual*.

8. Ensure that the mp_support parameter for each storage array is set to none.

For more information, see the *Sun StorEdge 6020 and 6120 Array System Manual*.

9. Ensure that all storage array controllers are ONLINE.

For more information about how to bring controllers online, see the *Sun StorEdge 6020 and 6120 Array System Manual*.

10. Reset the storage array to update the network settings and system settings that you changed.

For the procedure about how to reboot or reset a storage array, see the *Sun StorEdge 6020 and 6120 Array System Manual*.

11. On all nodes, install the Solaris operating environment. Apply any required Solaris patches for Sun Cluster software and storage array support.

For the procedure about how to install the Solaris operating environment, see your Sun Cluster software installation documentation.

PatchPro is a patch-management tool that eases the selection and download of patches required for installation or maintenance of Sun Cluster software. PatchPro provides an Interactive Mode tool especially for Sun Cluster. The Interactive Tool makes the installation of patches easier. PatchPro's Expert Mode tool helps you to maintain your configuration with the latest set of patches. Expert Mode is especially useful for obtaining all of the latest patches, not just the high availability and security patches.

To access the PatchPro tool for Sun Cluster software, go to <http://www.sun.com/PatchPro/>, click Sun Cluster, then choose either Interactive Mode or Expert Mode. Follow the instructions in the PatchPro tool to describe your cluster configuration and download the patches.

For third-party firmware patches, see the SunSolveSM Online site at <http://sunsolve.ebay.sun.com>.

12. On each node, ensure that the `mpxio-disable` parameter is set to `yes` in the `/kernel/drv/scsi_vhci.conf` file.

See Also To continue with Sun Cluster software installation tasks, see your Sun Cluster software installation documentation.

▼ How to Install a Dual-Controller Configuration in a New Cluster

Use this procedure to install a storage array in a dual-controller configuration *before* you install the Solaris operating environment and Sun Cluster software on your nodes. The following procedures contain instructions for other array-installation situations:

- “How to Install a Single-Controller Configuration in a New Cluster” on page 17
- “How to Add a Single-Controller Configuration to an Existing Cluster” on page 22
- “How to Add a Dual-Controller Configuration to an Existing Cluster” on page 26

- Steps**
1. **Install the host adapters in the nodes to be connected to the storage arrays.**
For the procedure about how to install host adapters, see the documentation that shipped with your host adapters and nodes.
 2. **Install the Fibre Channel (FC) switches.**
For the procedure about how to install FC switches, see the documentation that shipped with your FC switch hardware.
 3. **If necessary, install GBICs or SFPs in the FC switches.**
For the procedure about how to install a GBIC or an SFP, see the documentation that shipped with your FC switch hardware.

4. Set up a Reverse Address Resolution Protocol (RARP) server on the network on which the new storage array is to reside.

Use the RARP server to set up the following network settings.

- IP address
- gateway (if necessary)
- netmask (if necessary)
- hostname

For the procedure about how to set up a RARP server, see the *Sun StorEdge 6120 Array Installation Guide*.

5. Cable the storage arrays.

For the procedures on how to connect your storage array, see the *Sun StorEdge 6120 Array Installation Guide*.

- a. **Connect the storage arrays to the FC switches by using fiber-optic cables.**
- b. **Connect the Ethernet cables from each storage array to the LAN.**
- c. **If necessary, install the interconnect cables between storage arrays.**
- d. **Connect the power cords to each storage array.**

For the procedure about how to install fiber-optic, Ethernet, and interconnect cables, see the *Sun StorEdge 6120 Array Installation Guide*.

6. Power on the storage arrays.

Verify that all components are powered on and functional.

For the procedure about how to power on the storage arrays, see the *Sun StorEdge 6120 Array Installation Guide*.

7. Install any required controller firmware for the storage arrays.

Access the *master* controller unit and administer the storage arrays. The master controller unit is the storage array that has the interconnect cables attached to the second port of each interconnect card, when viewed from the rear of the storage arrays.

For the required controller firmware for the storage array, see the *Sun StorEdge 6120 Array Release Notes*.

PatchPro is a patch-management tool that eases the selection and download of patches required for installation or maintenance of Sun Cluster software. PatchPro provides an Interactive Mode tool especially for Sun Cluster. The Interactive Tool makes the installation of patches easier. PatchPro's Expert Mode tool helps you to maintain your configuration with the latest set of patches. Expert Mode is especially useful for obtaining all of the latest patches, not just the high availability and security patches.

To access the PatchPro tool for Sun Cluster software, go to <http://www.sun.com/PatchPro/>, click Sun Cluster, then choose either Interactive Mode or Expert Mode. Follow the instructions in the PatchPro tool to describe your cluster configuration and download the patches.

For third-party firmware patches, see the SunSolveSM Online site at <http://sunsolve.ebay.sun.com>.

8. Ensure that each storage array has a unique target address.

For the procedure about how to assign a target address to a storage array, see the *Sun StorEdge 6020 and 6120 Array System Manual*.

9. Ensure that the cache and mirror settings for each storage array are set to auto.

For more information, see the *Sun StorEdge 6020 and 6120 Array System Manual*.

10. On each node, ensure that the mp_support parameter for each storage array is set to mp_xio.

For more information, see the *Sun StorEdge 6020 and 6120 Array System Manual*.

11. Ensure that all storage array controllers are ONLINE.

For more information about how to bring controllers online, see the *Sun StorEdge 6020 and 6120 Array System Manual*.

12. Reset the storage array to update the network settings and system settings that you changed.

For the procedure about how to reboot or reset a storage array, see the *Sun StorEdge 6020 and 6120 Array System Manual*.

13. On all nodes, install the Solaris operating system and apply the required Solaris patches for Sun Cluster software and storage array support.

For the procedure about how to install the Solaris operating environment, see “How to Install Solaris Software” in *Sun Cluster Software Installation Guide for Solaris OS*.

14. Install any required patches or software for Sun StorEdge Traffic Manager software support to nodes and enable multipathing.

For the procedure about how to install the Sun StorEdge Traffic Manager software, see “How to Install Sun Multipathing Software” in *Sun Cluster Software Installation Guide for Solaris OS*.

15. Confirm that all storage arrays that you installed are visible to all nodes.

```
# luxadm probe
```

See Also To continue with Sun Cluster software installation tasks, see your Sun Cluster software installation documentation.

How to Add a Single-Controller Configuration to an Existing Cluster

Use this procedure to add a single-controller configuration to a running cluster. The following procedures contain instructions for other array-installation situations:

- “How to Install a Single-Controller Configuration in a New Cluster” on page 17
- “How to Install a Dual-Controller Configuration in a New Cluster” on page 19
- “How to Add a Dual-Controller Configuration to an Existing Cluster” on page 26

This procedure defines Node N as the node with which you begin working.

▼ How to Perform Initial Configuration Tasks on the Storage Array

Steps 1. Power on the storage array.

Note – the storage array might require a few minutes to boot.

For the procedure about how to power on a storage array, see the *Sun StorEdge 6120 Array Installation Guide*.

2. Administer the storage array’s network settings. Network settings include the following settings.

- IP address
- gateway (if necessary)
- netmask (if necessary)
- hostname

For the procedure about how to set up an IP address, gateway, netmask, and hostname on a storage array, see the *Sun StorEdge 6020 and 6120 Array System Manual*.

3. Ensure that the cache and mirror settings for each storage array are set to auto.

For more information, see the *Sun StorEdge 6020 and 6120 Array System Manual*.

4. Ensure that the mp_support parameter for each storage array is set to none.

For more information about, see the *Sun StorEdge 6020 and 6120 Array System Manual*.

5. Install any required controller firmware for the storage arrays you are adding.

For the required controller firmware for the storage array, see the *Sun StorEdge 6120 Array Release Notes*.

PatchPro is a patch-management tool that eases the selection and download of patches required for installation or maintenance of Sun Cluster software. PatchPro provides an Interactive Mode tool especially for Sun Cluster. The Interactive Tool makes the installation of patches easier. PatchPro's Expert Mode tool helps you to maintain your configuration with the latest set of patches. Expert Mode is especially useful for obtaining all of the latest patches, not just the high availability and security patches.

To access the PatchPro tool for Sun Cluster software, go to <http://www.sun.com/PatchPro/>, click Sun Cluster, then choose either Interactive Mode or Expert Mode. Follow the instructions in the PatchPro tool to describe your cluster configuration and download the patches.

For third-party firmware patches, see the SunSolveSM Online site at <http://sunsolve.ebay.sun.com>.

6. Reset the storage array to update the network settings and system settings that you changed.

For the procedure about how to reboot or reset a storage array, see the *Sun StorEdge 6020 and 6120 Array System Manual*.

7. Confirm that all storage arrays that you upgraded are visible to all nodes.

```
# luxadm probe
```

▼ How to Connect the Storage Array to FC Switches

Steps 1. **Install the GBICs or SFPs in the storage array that you plan to add.**

For the procedure about how to install a GBICs or SFPs, see the *Sun StorEdge 6120 Array Installation Guide*.

2. **If necessary, install GBICs or SFPs in the FC switches.**

For the procedure about how to install a GBIC or an SFP, see the documentation that shipped with your FC switch hardware.

3. **Install the Ethernet cable between the storage array and the Local Area Network (LAN).**

4. **If necessary, daisy-chain or interconnect the storage arrays.**

For the procedure about how to install interconnect cables, see the *Sun StorEdge 6120 Array Installation Guide*.

5. **Install a fiber-optic cable between the FC switch and the storage array.**

For the procedure about how to install a fiber-optic cable, see the *Sun StorEdge 6120 Array Installation Guide*.

▼ How to Connect the Node to the FC Switches or the Storage Array

Steps 1. Determine the resource groups and device groups that are running on all nodes.

Record this information because you use this information in [Step 19](#) of this procedure to return resource groups and device groups to these nodes.

```
# scstat
```

2. Move all resource groups and device groups off Node N.

```
# scswitch -S -h from-node
```

3. Do you need to install a host adapter in Node N?

- If no, skip to [Step 10](#).
- If yes, proceed to [Step 4](#).

4. Is the host adapter that you are installing the first FC host adapter on Node N?

- If no, skip to [Step 6](#).
- If yes, determine whether the required drivers for the host adapter are already installed on this node. For the required packages, see the documentation that shipped with your host adapters.

5. Are the Fibre Channel support packages installed?

- If yes, proceed to [Step 6](#).
- If no, install the packages.

The storage array packages are located in the `Product` directory of the Solaris CD-ROM. Add any necessary packages.

6. Shut down and power off Node N.

For the procedure about how to shut down and power off a node, see your Sun Cluster system administration documentation.

7. Install the host adapter in Node N.

For the procedure about how to install a host adapter, see the documentation that shipped with your host adapter and node.

8. Power on and boot Node N into noncluster mode.

For the procedure about how to boot a node in noncluster mode, see your Sun Cluster system administration documentation.

9. If necessary, upgrade the host adapter firmware on Node N.

PatchPro is a patch-management tool that eases the selection and download of patches required for installation or maintenance of Sun Cluster software. PatchPro

provides an Interactive Mode tool especially for Sun Cluster. The Interactive Tool makes the installation of patches easier. PatchPro's Expert Mode tool helps you to maintain your configuration with the latest set of patches. Expert Mode is especially useful for obtaining all of the latest patches, not just the high availability and security patches.

To access the PatchPro tool for Sun Cluster software, go to <http://www.sun.com/PatchPro/>, click Sun Cluster, then choose either Interactive Mode or Expert Mode. Follow the instructions in the PatchPro tool to describe your cluster configuration and download the patches.

For third-party firmware patches, see the SunSolveSM Online site at <http://sunsolve.ebay.sun.com>.

10. If necessary, install a GBIC or an SFP in the FC switch or the storage array.

For the procedure about how to install a GBIC or an SFP, see the documentation that shipped with your FC switch hardware. For the procedure on how to install a GBIC or an SFP, see the *Sun StorEdge 6120 Array Installation Guide*.

11. Connect a fiber-optic cable between the FC switch and Node N.

For the procedure about how to install a fiber-optic cable, see the *Sun StorEdge 6120 Array Installation Guide*.

12. If necessary, install the required Solaris patches for storage array support on Node N.

For a list of required Solaris patches for storage array support, see the *Sun StorEdge 6120 Array Release Notes*.

13. On the node, update the /devices and /dev entries.

```
# devfsadm -C
```

14. Boot the node into cluster mode.

15. On the node, update the paths to the DID instances.

```
# scgdevs
```

16. If necessary, label the new logical volume.

For the procedure about how to label a logical volume, see the *Sun StorEdge 6020 and 6120 Array System Manual*.

17. (Optional) On Node N, verify that the device IDs (DIDs) are assigned to the new LUNs.

```
# scdidadm -C  
# scdidadm -l
```

18. Repeat Step 2 through Step 17 for each remaining node that you plan to connect to the storage array.

19. (Optional) Return the resource groups and device groups that you identified in Step 1 to the original nodes.

```
# scswitch -z -g resource-group -h nodename
# scswitch -z -D device-group-name -h nodename
```

For more information, see your Sun Cluster system administration documentation.

20. Perform volume management administration to incorporate the new logical volumes into the cluster.

For more information, see your Solstice DiskSuite/Solaris Volume Manager or VERITAS Volume Manager documentation.

How to Add a Dual-Controller Configuration to an Existing Cluster

Use this procedure to add a dual-controller configuration to a running cluster. The following procedures contain instructions for other array-installation situations:

- “How to Install a Single-Controller Configuration in a New Cluster” on page 17
- “How to Install a Dual-Controller Configuration in a New Cluster” on page 19
- “How to Add a Single-Controller Configuration to an Existing Cluster” on page 22

This procedure defines Node N as the node with which you begin working.

▼ How to Perform Initial Configuration Tasks on the Storage Array

Steps 1. **Power on the storage arrays.**

Note – The storage arrays might require several minutes to boot.

For the procedure about how to power on storage arrays, see the *Sun StorEdge 6120 Array Installation Guide*.

2. **Administer the storage array’s network settings. Network settings include the following settings.**

- IP address
- gateway (if necessary)
- netmask (if necessary)
- hostname

Assign an IP address to the *master* controller unit only. The master controller unit is the storage array that has the interconnect cables attached to the second port of each interconnect card.

For the procedure about how to set up an IP address, gateway, netmask, and hostname on a storage array, see the *Sun StorEdge 6020 and 6120 Array System Manual*.

3. Ensure that each storage array has a unique target address.

For the procedure about how to assign a target address to a storage array, see the *Sun StorEdge 6020 and 6120 Array System Manual*.

4. Ensure that the cache and mirror settings for each storage array are set to auto.

For more information, see the *Sun StorEdge 6020 and 6120 Array System Manual*.

5. Ensure that the mp_support parameter for each storage array is set to mp_xio.

For more information, see the *Sun StorEdge 6020 and 6120 Array System Manual*.

6. Install any required controller firmware for the storage arrays you are adding.

Access the *master* controller unit and administer the storage arrays. The master controller unit is the storage array that has the interconnect cables attached to the second port of each interconnect card, when viewed from the rear of the storage arrays.

For the required controller firmware for the storage array, see the *Sun StorEdge 6120 Array Release Notes*.

7. Reset the storage array to update the network settings and system settings that you changed.

For the procedure about how to reboot or reset a storage array, see the *Sun StorEdge 6020 and 6120 Array System Manual*.

▼ How to Connect the Storage Array to FC Switches

Steps 1. **Install the GBICs or SFPs in the storage array that you plan to add.**

For the procedure about how to install a GBICs or SFPs, see the *Sun StorEdge 6120 Array Installation Guide*.

2. If necessary, install GBICs or SFPs in the FC switches.

For the procedure about how to install a GBIC or an SFP, see the documentation that shipped with your FC switch hardware.

3. Install the Ethernet cable between the storage arrays and the local area network (LAN).

4. **If necessary, daisy-chain or interconnect the storage arrays.**
For the procedure about how to install interconnect cables, see the *Sun StorEdge 6120 Array Installation Guide*.
5. **Install a fiber-optic cable between each FC switch and both new storage arrays of the partner group.**
For the procedure about how to install a fiber-optic cable, see the *Sun StorEdge 6120 Array Installation Guide*.

▼ How to Connect the Node to the FC Switches or the Storage Array

Steps 1. **Determine the resource groups and device groups that are running on all nodes.**

Record this information because you use this information in [Step 18](#) of this procedure to return resource groups and device groups to these nodes.

```
# scstat
```

2. **Move all resource groups and device groups off Node N.**

```
# scswitch -s -h from-node
```

3. **Do you need to install host adapters in Node N?**

- **If no, skip to [Step 10](#).**
- **If yes, proceed to [Step 4](#).**

4. **Is the host adapter that you that are installing the first host adapter on Node N?**

- **If no, skip to [Step 6](#).**
- **If yes, determine whether the required drivers for the host adapter are already installed on this node. For the required packages, see the documentation that shipped with your host adapters.**

5. **Are the required support packages already installed?**

- **If yes, skip to [Step 6](#).**
- **If no, install the packages.**

The support packages are located in the `Product` directory of the Solaris CD-ROM.

6. **Shut down and power off Node N.**

For the procedure about how to shut down and power off a node, see your Sun Cluster system administration documentation.

7. Install the host adapters in Node N.

For the procedure about how to install host adapters, see the documentation that shipped with your host adapters and nodes.

8. Power on and boot Node N into noncluster mode.

For more information about how to boot nodes, see your Sun Cluster system administration documentation.

9. If necessary, upgrade the host adapter firmware on Node N.

PatchPro is a patch-management tool that eases the selection and download of patches required for installation or maintenance of Sun Cluster software. PatchPro provides an Interactive Mode tool especially for Sun Cluster. The Interactive Tool makes the installation of patches easier. PatchPro's Expert Mode tool helps you to maintain your configuration with the latest set of patches. Expert Mode is especially useful for obtaining all of the latest patches, not just the high availability and security patches.

To access the PatchPro tool for Sun Cluster software, go to <http://www.sun.com/PatchPro/>, click Sun Cluster, then choose either Interactive Mode or Expert Mode. Follow the instructions in the PatchPro tool to describe your cluster configuration and download the patches.

For third-party firmware patches, see the SunSolveSM Online site at <http://sunsolve.ebay.sun.com>.

10. If necessary, install a GBIC or an SFP in the FC switch or the storage array.

For the procedure about how to install a GBIC or an SFP, see the documentation that shipped with your FC switch hardware. For the procedure on how to install a GBIC or an SFP, see the *Sun StorEdge 6120 Array Installation Guide*.

11. Connect a fiber-optic cable between the FC switch and Node N.

For the procedure about how to install a fiber-optic cable, see the *Sun StorEdge 6120 Array Installation Guide*.

12. Install the required Solaris patches for storage array support on Node N.

PatchPro is a patch-management tool that eases the selection and download of patches required for installation or maintenance of Sun Cluster software. PatchPro provides an Interactive Mode tool especially for Sun Cluster. The Interactive Tool makes the installation of patches easier. PatchPro's Expert Mode tool helps you to maintain your configuration with the latest set of patches. Expert Mode is especially useful for obtaining all of the latest patches, not just the high availability and security patches.

To access the PatchPro tool for Sun Cluster software, go to <http://www.sun.com/PatchPro/>, click Sun Cluster, then choose either Interactive Mode or Expert Mode. Follow the instructions in the PatchPro tool to describe your cluster configuration and download the patches.

For third-party firmware patches, see the SunSolveSM Online site at <http://sunsolve.ebay.sun.com>.

13. Perform a reconfiguration boot on Node N to create the new Solaris device files and links.

```
# boot -r
```

14. On Node N, update the paths to the DID instances.

```
# scgdevs
```

15. If necessary, label the new storage array logical volume.

For the procedure about how to label a logical volume, see the *Sun StorEdge 6020 and 6120 Array System Manual*.

16. (Optional) On Node N, verify that the device IDs (DIDs) are assigned to the new LUNs.

```
# scdidadm -C  
# scdidadm -l
```

17. Repeat Step 2 through Step 16 for each remaining node that you plan to connect to the storage array.

18. (Optional) Return the resource groups and device groups that you identified in Step 1 to the original nodes.

```
# scswitch -z -g resource-group -h nodename  
# scswitch -z -D device-group-name -h nodename
```

For more information, see your Sun Cluster system administration documentation.

19. Perform volume management administration to incorporate the new logical volumes into the cluster.

For more information, see your Solstice DiskSuite/Solaris Volume Manager or VERITAS Volume Manager documentation.

Next Steps The best way to enable multipathing for a cluster is to install the multipathing software and enable multipathing before installing the Sun Cluster software and establishing the cluster. For this procedure, see “How to Install Sun Multipathing Software” in *Sun Cluster Software Installation Guide for Solaris OS*. If you need to add multipathing software to an established cluster, see “How to Install Sun Multipathing Software” in *Sun Cluster Software Installation Guide for Solaris OS* and follow the troubleshooting steps to clean up the device IDs.

Configuring Storage Arrays

This section contains the procedures about how to configure a storage array in a running cluster. [Table 1–2](#) lists these procedures.

TABLE 1–2 Task Map: Configuring a Storage Array

Task	Information
Create a LUN	“How to Create a Logical Volume” on page 31
Remove a LUN	“How to Remove a Logical Volume” on page 33

The following is a list of administrative tasks that require no cluster-specific procedures. See the *Sun StorEdge 6020 and 6120 Array System Manual* for the following procedures.

- Removing a logical volume.
- Creating a logical volume.

▼ How to Create a Logical Volume

Use this procedure to create a logical volume from unassigned storage capacity.

Note – Sun storage documentation uses the following terms:

- Logical volume
- Logical device
- Logical unit number (LUN)

This manual uses *logical volume* to refer to all such logical constructs.

Before You Begin

This procedure relies on the following prerequisites and assumptions.

- All nodes are booted in cluster mode and attached to the storage device.
- The storage device is installed and configured. If you are using multipathing, the storage devices is configured as described in the installation procedure.
- If you are using Sun StorEdge Traffic Manager, it is installed and configured and the path between Traffic Manager and the storage device is functioning.

- Steps**
1. Follow the instructions in your storage device's documentation to create and map the logical volume. For a URL to this storage documentation, see ["Related Documentation"](#) on page 6.
 - Completely set up the logical volume. When you are finished, the volume must be created, mapped, mounted, and initialized.
 - If necessary, partition the volume.
 - To allow multiple clusters and nonclustered nodes to access the storage device, create initiator groups by using LUN masking.
 2. Are you using multipathing?
 - If yes, proceed to [Step 3](#).
 - If no, skip to [Step 4](#).
 3. Are any devices that are associated with the volume you created at an unconfigured state?


```
# cfgadm -al | grep disk
```

 - If no, proceed to [Step 4](#).
 - If yes, configure the Traffic Manager paths on each node that is connected to the storage device.


```
cfgadm -o force_update -c configure controllerinstance
```

For the procedure about how to configure Traffic Manager paths, see the *Sun StorEdge Traffic Manager Installation and Configuration Guide*.
 4. On one node that is connected to the storage device, use the `format` command to label the new logical volume.
 5. From any node in the cluster, update the global device namespace.


```
# scgdevs
```

Note – You might have a volume management daemon such as `vold` running on your node, and have a CD-ROM drive connected to the node. Under these conditions, a `device busy` error might be returned even if no disk is in the drive. This error is expected behavior. You can safely ignore this error message.

6. To manage this volume with volume management software, use the appropriate Solstice DiskSuite/Solaris Volume Manager or VERITAS Volume Manager commands to update the list of devices on all nodes that are attached to the new volume that you created.

For more information, see your Solstice DiskSuite/Solaris Volume Manager or VERITAS Volume Manager documentation.

- See Also**
- To configure a logical volume as a quorum device, see Chapter 5, “Administering Quorum,” in *Sun Cluster System Administration Guide for Solaris OS*.
 - To create a new resource or configure a running resource to use the new logical volume, see Chapter 2, “Administering Data Service Resources,” in *Sun Cluster Data Services Planning and Administration Guide for Solaris OS*.

▼ How to Remove a Logical Volume

Use this procedure to remove a logical volume. This procedure defines Node A as the node with which you begin working.

Note – Sun storage documentation uses the following terms:

- Logical volume
- Logical device
- Logical unit number (LUN)

This manual uses *logical volume* to refer to all such logical constructs.

Before You Begin

This procedure relies on the following prerequisites and assumptions.

- All nodes are booted in cluster mode and attached to the storage device.
- The logical volume and the path between the nodes and the storage device are both operational.

Steps

1. Identify the logical volume that you are removing.

Refer to your Solstice DiskSuite/Solaris Volume Manager or VERITAS Volume Manager documentation for more information.

2. (Optional) Migrate all data off the logical volume that you are removing. Alternatively, back up that data.

3. Check if the logical volume that you are removing is a quorum device.

```
# scstat -q
```

If yes, choose and configure another device as the quorum device. Then remove the old quorum device.

For procedures about how to add and remove quorum devices, see Chapter 5, “Administering Quorum,” in *Sun Cluster System Administration Guide for Solaris OS*.

4. **If you are using volume management software, use that software to update the list of devices on all nodes that are attached to the logical volume that you are removing.**

For instructions about how to update the list of devices, see your Solstice DiskSuite/Solaris Volume Manager or VERITAS Volume Manager documentation.

5. **If you are using volume management software, run the appropriate Solstice DiskSuite/Solaris Volume Manager or VERITAS Volume Manager commands to remove the logical volume from any diskset or disk group.**

For more information, see your Solstice DiskSuite/Solaris Volume Manager or VERITAS Volume Manager documentation.

Note – Volumes that were managed by VERITAS Volume Manager must be completely removed from VERITAS Volume Manager control before you can delete them from the Sun Cluster environment. After you delete the volume from any disk group, use the following commands on both nodes to remove the volume from VERITAS Volume Manager control.

```
# vxdisk offline Accessname
# vxdisk rm Accessname
```

Accessname Disk access name

6. **If you are using multipathing, unconfigure the volume in Sun StorEdge Traffic Manager.**

```
# cfgadm -o force_update -c unconfigure Logical_Volume
```

7. **Access the storage device and remove the logical volume.**

For the procedure about how to remove the volume, see your storage documentation. For a list of storage documentation, see [“Related Documentation” on page 6](#).

8. **Determine the resource groups and device groups that are running on all nodes.**

Record this information because you use it in [Step 13](#) of this procedure to return resource groups and device groups to these nodes.

```
# scstat
```

9. **Move all resource groups and device groups off Node A.**

```
# scswitch -s -h from-node
```

10. **Shut down and reboot Node A.**

For the procedure about how to shut down and power off a node, see Chapter 3, “Shutting Down and Booting a Cluster,” in *Sun Cluster System Administration Guide for Solaris OS*.

11. On Node A, remove the paths to the logical volume that you removed. Remove obsolete device IDs.

```
# devfsadm -C  
# scdidadm -C
```

12. For each additional node that is connected to the shared storage that hosted the logical volume, repeat [Step 8](#) to [Step 11](#).

13. (Optional) Return the resource groups and device groups that you identified in [Step 8](#) to all cluster nodes.

Maintaining Storage Arrays

This section contains the procedures about how to maintain a storage array in a running cluster. [Table 1–3](#) lists these procedures.

Note – When you upgrade firmware on a storage device or on an enclosure, redefine the stripe size of a LUN, or perform other LUN operations, a device ID might change unexpectedly. When you perform a check of the device ID configuration by running the `scdidadm -c` command, the following error message appears on your console if the device ID changed unexpectedly.

```
device id for nodename: /dev/rdisk/cXtYdZsN does not match physical  
device's id for ddecimalnumber, device may have been replaced.
```

To fix device IDs that report this error, run the `scdidadm -R` command for each affected device.

TABLE 1–3 Task Map: Maintaining a Storage Array

Task	Information
Upgrade storage array firmware.	“How to Upgrade Storage Array Firmware” on page 37
Remove a storage array or partner group.	“How to Remove a Single-Controller Configuration” on page 37 “How to Remove a Dual-Controller Configuration” on page 40

TABLE 1-3 Task Map: Maintaining a Storage Array (Continued)

Task	Information
Replace a node-to-switch component. <ul style="list-style-type: none"> ■ Node-to-switch fiber-optic cable ■ FC host adapter ■ FC switch ■ GBIC or SFP 	“Replacing a Node-to-Switch Component” on page 42
Replace a node’s host adapter.	“How to Replace a Host Adapter” on page 44
Add a node to the storage array.	Sun Cluster system administration documentation
Remove a node from the storage device.	Sun Cluster system administration documentation

StorEdge 6120 Array FRUs

The following is a list of administrative tasks that require no cluster-specific procedures. See the *Sun StorEdge 6020 and 6120 Array System Manual* for the following procedures.

- Adding an expansion unit.
- Removing an expansion unit.
- Replacing an expansion unit.
- Adding a disk drive.
- Replacing a failed disk drive.
- Removing a disk drive.
- Replacing an Ethernet cable.
- Replacing a power cable on the storage array.
- Replacing a power and cooling unit (PCU).
- Replacing a chassis.
- Replacing a controller.
- Replacing a storage array-to-switch component in a dual-controller configuration.
 - A storage array-to-switch component includes all of the following components.
 - Fiber-optic cable that connects an FC switch to a storage array
 - FC switch GBIC or an SFP that connects an FC switch to a storage array
 - FC switch that connects an FC switch to a storage array
 - FC switch power cord
 - Interconnect cables that connect two storage arrays
 - Interconnect cards

▼ How to Upgrade Storage Array Firmware

Use this procedure to upgrade storage array firmware in a running cluster. Storage array firmware includes controller firmware, unit interconnect card (UIC) firmware, EPROM firmware, and disk drive firmware.

Note – When you upgrade firmware on a storage device or on an enclosure, redefine the stripe size of a LUN, or perform other LUN operations, a device ID might change unexpectedly. When you perform a check of the device ID configuration by running the `scdidadm -c` command, the following error message appears on your console if the device ID changed unexpectedly.

```
device id for nodename:/dev/rdisk/cXtYdZsN does not match physical
device's id for ddecimalnumber, device may have been replaced.
```

To fix device IDs that report this error, run the `scdidadm -R` command for each affected device.

Steps 1. Stop all I/O to the storage arrays you are upgrading.

2. Apply the controller, disk drive, and loop-card firmware patches.

For the list of required patches, see the *Sun StorEdge 6120 Array Release Notes*. For the procedure about how to apply firmware patches, see the firmware patch README file. For the procedure about how to verify the firmware level, see the *Sun StorEdge 6020 and 6120 Array System Manual*.

3. Confirm that all storage arrays that you upgraded are visible to all nodes.

```
# luxadm probe
```

4. Restart all I/O to the storage arrays.

You stopped I/O to these storage arrays in [Step 1](#).

▼ How to Remove a Single-Controller Configuration

Use this procedure to permanently remove a storage array from a running cluster. This storage array resides in a single-controller configuration. This procedure provides the flexibility to remove the host adapters from the nodes for the storage array that you are removing.

This procedure defines Node A as the node with which you begin working. Node B is another node in the cluster.



Caution – During this procedure, you lose access to the data that resides on the storage array that you are removing.

- Steps**
1. **Back up all database tables, data services, and volumes that are associated with the storage array that you are removing.**
 2. **Detach the submirrors from the storage array that you are removing. Detach the submirrors to stop all I/O activity to the storage array.**
For more information, see your Solstice DiskSuite/Solaris Volume Manager or VERITAS Volume Manager documentation.
 3. **Remove the references to the LUN(s) from any diskset or disk group.**
For more information, see your Solstice DiskSuite/Solaris Volume Manager or VERITAS Volume Manager documentation.
 4. **Determine the resource groups and device groups that are running on Node A.**

```
# scstat
```
 5. **Shut down Node A.**
For the procedure about how to shut down and power off a node, see your Sun Cluster system administration documentation.
 6. **Is the storage array that you are removing the last storage array that is connected to Node A?**
 - **If yes, disconnect the fiber-optic cable between Node A and the FC switch that is connected to this storage array. Afterward, disconnect the fiber-optic cable between the FC switch and this storage array.**
 - **If no, proceed to [Step 7](#).**
For the procedure about how to remove a fiber-optic cable, see the *Sun StorEdge 6020 and 6120 Array System Manual*.
 7. **Do you want to remove the host adapter from Node A?**
 - **If yes, power off Node A.**
 - **If no, skip to [Step 10](#).**
 8. **Remove the host adapter from Node A.**
For the procedure about how to remove host adapters, see the documentation that shipped with your nodes.
 9. **Without enabling the node to boot, power on Node A.**
For more information, see your Sun Cluster system administration documentation.

10. Boot Node A into cluster mode.

For the procedure about how to boot nodes, see your Sun Cluster system administration documentation.

11. Shut down Node B.

For the procedure about how to shut down and power off a node, see your Sun Cluster system administration documentation.

12. Is the storage array that you are removing the last storage array that is connected to the FC switch?

- If yes, disconnect the fiber-optic cable that connects this FC switch and Node B.
- If no, proceed to [Step 13](#).

For the procedure about how to remove a fiber-optic cable, see the *Sun StorEdge 6020 and 6120 Array System Manual*.

13. Do you want to remove the host adapter from Node B?

- If yes, power off Node B.
- If no, skip to [Step 16](#).

14. Remove the host adapter from Node B.

For the procedure about how to remove host adapters, see the documentation that shipped with your nodes.

15. Without enabling the node to boot, power on Node B.

For more information, see your Sun Cluster system administration documentation.

16. Boot Node B into cluster mode.

For the procedure about how to boot nodes, see your Sun Cluster system administration documentation.

17. On all nodes, update the `/devices` and `/dev` entries.

```
# devfsadm -C
# sctidadm -C
```

18. Return the resource groups and device groups that you identified in [Step 4](#) to Node A and Node B.

```
# scswitch -z -g resource-group -h nodename
# scswitch -z -D device-group-name -h nodename
```

▼ How to Remove a Dual-Controller Configuration

Use this procedure to remove a dual-controller configuration from a running cluster. This procedure defines **Node A** as the node with which you begin working. **Node B** is another node in the cluster.



Caution – During this procedure, you lose access to the data that resides on each partner group that you are removing.

- Steps**
1. **If necessary, back up all database tables, data services, and volumes that are associated with each partner group that you are removing.**
 2. **If necessary, detach the submirrors from each storage array or partner group that you are removing. Detach the submirrors to stop all I/O activity to the storage array or partner group.**

For more information, see your Solstice DiskSuite/Solaris Volume Manager or VERITAS Volume Manager documentation.

3. **Remove references to each LUN. This LUN belongs to the storage array or partner group that you are removing.**

For more information, see your Solstice DiskSuite/Solaris Volume Manager or VERITAS Volume Manager documentation.

4. **Determine the resource groups and device groups that are running on all nodes.**

Record this information because you use this information in [Step 19](#) of this procedure to return resource groups and device groups to these nodes.

```
# scstat
```

5. **Shut down Node A.**

For the procedure about how to shut down and power off a node, see your Sun Cluster system administration documentation.

6. **Disconnect from both storage arrays the fiber-optic cables that connect to the FC switches. Then disconnect the Ethernet cables.**

7. **Is any storage array that you are removing the last storage array that is connected to an FC switch that is on Node A?**

- **If no, skip to [Step 11](#).**
- **If yes, disconnect the fiber-optic cable between Node A and the FC switch that was connected to this storage array.**

For the procedure about how to remove a fiber-optic cable, see the *Sun StorEdge 6020 and 6120 Array System Manual*.

8. Do you want to remove the host adapters from Node A?

- If no, skip to [Step 11](#).
- If yes, power off Node A.

9. Remove the host adapters from Node A.

For the procedure about how to remove host adapters, see the documentation that shipped with your host adapter and nodes.

10. Without enabling the node to boot, power on Node A.

For more information, see your Sun Cluster system administration documentation.

11. Boot Node A into cluster mode.

For more information about how to boot nodes, see your Sun Cluster system administration documentation.

12. Shut down Node B.

For the procedure about how to shut down and power off a node, see your Sun Cluster system administration documentation.

13. Is any storage array that you are removing the last storage array that is connected to an FC switch that is on Node B?

- If no, proceed to [Step 14](#).
- If yes, disconnect the fiber-optic cable that connects this FC switch to Node B.

For the procedure about how to remove a fiber-optic cable, see the *Sun StorEdge 6020 and 6120 Array System Manual*.

14. Do you want to remove the host adapters from Node B?

- If no, skip to [Step 17](#).
- If yes, power off Node B.

15. Remove the host adapters from Node B.

For the procedure about how to remove host adapters, see the documentation that shipped with your nodes.

16. Without enabling the node to boot, power on Node B.

For more information, see your Sun Cluster system administration documentation.

17. Boot Node B into cluster mode.

For more information about how to boot nodes, see your Sun Cluster system administration documentation.

18. On all nodes, update the `/devices` and `/dev` entries.

```
# devfsadm -C
# scdidadm -C
```

19. Return the resource groups and device groups that you identified in [Step 4](#) to all nodes.

```
# scswitch -z -g resource-group -h nodename
# scswitch -z -D device-group-name -h nodename
```

Replacing a Node-to-Switch Component

Use this procedure to replace a node-to-switch component that has failed or that you suspect might be contributing to a problem.

Note – Node-to-switch components that are covered by this procedure include the following components:

- Node-to-switch fiber-optic cables
- Gigabit interface converters (GBICs) or small form-factor pluggables (SFPs) on an FC switch
- FC switches

For the procedure about how to replace a host adapter, see [“How to Replace a Host Adapter” on page 44](#).

This procedure defines *Node A* as the node that is connected to the node-to-switch component that you are replacing. This procedure assumes that, except for the component you are replacing, your cluster is operational.

Ensure that you are following the appropriate instructions:

- If your cluster uses multipathing, see [“How to Replace a Node-to-Switch Component in a Cluster That Uses Multipathing” on page 42](#).
- If your cluster does *not* use multipathing, see [“How to Replace a Node-to-Switch Component in a Cluster Without Multipathing” on page 43](#).

▼ How to Replace a Node-to-Switch Component in a Cluster That Uses Multipathing

Steps 1. Is your configuration active-passive?

If yes, and the active path is the path that needs a component replaced, make that path passive.

2. **Replace the component.**
Refer to your hardware documentation for any component-specific instructions.
3. **(Optional) If your configuration is active-passive and you changed your configuration in Step 1, switch your original data path back to active.**

▼ How to Replace a Node-to-Switch Component in a Cluster Without Multipathing

Steps 1. **Check if the physical data path failed.**

If no, proceed to [Step 2](#).

If yes:

- a. **Replace the component.**
Refer to your hardware documentation for any component-specific instructions.
- b. **Fix the volume manager error that was caused by the failed data path.**
- c. **(Optional) If necessary, return resource groups and device groups to this node.**

You have completed this procedure.

2. **Determine the resource groups and device groups that are running on Node A.**

```
# scstat
```

3. **Move all resource groups and device groups to another node.**

```
# scswitch -s -h from-node
```

4. **Replace the node-to-switch component.**

Refer to your hardware documentation for any component-specific instructions.

5. **(Optional) If necessary, return the resource groups and device groups that you identified in Step 2 to Node A.**

```
# scswitch -z -g resource-group -h nodename  
# swswitch -z -D device-group -h nodename
```

▼ How to Replace a Host Adapter

Use this procedure to replace a failed host adapter in a running cluster. This procedure defines **Node A** as the node with the failed host adapter that you are replacing.

Before You Begin

This procedure relies on the following prerequisites and assumptions.

- Except for the failed host adapter, your cluster is operational and all nodes are powered on.
- Your nodes are not configured with dynamic reconfiguration functionality.
If your nodes are configured for dynamic reconfiguration **and** you are using two entirely separate hardware paths to your shared data, see the *Sun Cluster Hardware Administration Manual for Solaris OS* and skip steps that instruct you to shut down the cluster.

You cannot replace a single, dual-port HBA that has quorum configured on that storage path by using DR. Follow all steps in the procedure. For the details on the risks and limitations of this configuration, see “Configuring Cluster Nodes With a Single, Dual-Port HBA” in *Sun Cluster 3.0-3.1 Hardware Administration Manual for Solaris OS*.

Exceptions to this restriction include three-node or larger cluster configurations where no storage device has a quorum device configured.

Steps 1. Determine the resource groups and device groups that are running on Node A.

Record this information because you use this information in [Step 9](#) of this procedure to return resource groups and device groups to Node A.

```
# scstat
```

2. Move all resource groups and device groups off Node A.

```
# scswitch -s -h nodename
```

3. Shut down Node A.

For the full procedure about how to shut down and power off a node, see your Sun Cluster system administration documentation.

4. Power off Node A.

5. Replace the failed host adapter.

For the procedure about how to remove and add host adapters, see the documentation that shipped with your nodes.

6. Do you need to upgrade the node’s host adapter firmware?

- **If yes, boot Node A into noncluster mode. Proceed to [Step 7](#).**

For more information about how to boot nodes, see your Sun Cluster system administration documentation.

- If no, proceed to [Step 8](#).

7. Upgrade the host adapter firmware on Node A.

PatchPro is a patch-management tool that eases the selection and download of patches required for installation or maintenance of Sun Cluster software. PatchPro provides an Interactive Mode tool especially for Sun Cluster. The Interactive Tool makes the installation of patches easier. PatchPro's Expert Mode tool helps you to maintain your configuration with the latest set of patches. Expert Mode is especially useful for obtaining all of the latest patches, not just the high availability and security patches.

To access the PatchPro tool for Sun Cluster software, go to <http://www.sun.com/PatchPro/>, click Sun Cluster, then choose either Interactive Mode or Expert Mode. Follow the instructions in the PatchPro tool to describe your cluster configuration and download the patches.

For third-party firmware patches, see the SunSolveSM Online site at <http://sunsolve.ebay.sun.com>.

8. Boot Node A into cluster mode.

For more information about how to boot nodes, see your Sun Cluster system administration documentation.

9. Return the resource groups and device groups you identified in [Step 1](#) to Node A.

```
# scswitch -z -g resource-group -h nodename  
# scswitch -z -D device-group-name -h nodename
```

For more information, see your Sun Cluster system administration documentation.

Index

Numbers and Symbols

- 1x1 configuration, 12
- 1x2 configuration, 13
- 2x2 configuration, 14
- 2x4 configuration, 15
- 6120 storage array
 - cabling, 12-17
 - FRUs, 36
 - product documentation, 7

A

- adding
 - See also* installing
 - disk drives, 36
 - dual-controller configurations, 26-30
 - expansion units, 36
 - nodes, 36
 - partner groups, 26-30
 - single-controller configurations, 22-26
 - storage arrays, 22-26
- arrays, *See* storage arrays

C

- cables
 - replacing, 36
- cabling configurations
 - 1x1 configuration, 12
 - 1x2 configuration, 13
 - 2x2 configuration, 14

cabling configurations (Continued)

- 2x4 configuration, 15
- chassis, replacing, 36
- configuring, storage arrays, 31-35
- controllers, replacing, 36
- cooling units, replacing, 36
- creating, logical volumes, 31-33

D

- deleting logical volumes, *See* removing logical volumes
- disk drives
 - adding, 36
 - removing, 36
 - replacing, 36
- dual-controller configurations
 - adding, 26-30
 - installing, 19-21
 - removing, 40-42

E

- Ethernet cables, replacing, 36
- expansion units
 - adding, 36
 - removing, 36
 - replacing, 36

F

firmware, upgrade storage array firmware, 37
FRUs, Sun StorEdge 6120 storage array, 36

H

HBAs, replacing, 44-45
help, 8
host adapters, replacing, 44-45

I

installing
 See also adding
 storage arrays, 11-30, 19-21
interconnect cables, replacing, 36
interconnect cards, replacing, 36

L

logical devices, *See* logical volumes
logical unit numbers, *See* logical volumes
logical volumes
 creating, 31-33
 removing, 33-35
loop cables, *See* interconnect cables
loop cards, *See* interconnect cards
LUNs, *See* logical volumes

M

maintaining, storage arrays, 35-45
midplane, replacing, 36

N

node-to-switch components, replacing, 42-43
nodes
 adding, 36
 removing, 36

P

partner groups
 adding, 26-30
 removing, 40-42
power cables, replacing, 36
power units, replacing, 36

R

RAID-1 configurations
 1x1 configuration, 12
 1x2 configuration, 13
removing
 disk drives, 36
 dual-controller configurations, 40-42
 expansion units, 36
 logical volumes, 33-35
 nodes, 36
 partner groups, 40-42
 single-controller configurations, 37-39
 storage arrays, 37-39
replacing
 chassis, 36
 controllers, 36
 cooling units, 36
 disk drives, 36
 Ethernet cables, 36
 expansion units, 36
 host adapters, 44-45
 midplane, 36
 node-to-switch components, 42-43
 power cables, 36
 power units, 36
 switch-to-storage array components, 36

S

single-controller configurations
 adding, 22-26
 installing, 17-19
 removing, 37-39
software RAID-1 configurations
 1x1 configuration, 12
 1x2 configuration, 13
storage array firmware, upgrading, 37
storage arrays, 11-45

- storage arrays (Continued)
 - adding single-controller configurations, 22-26
 - configuring, 31-35
 - installing, 11-30
 - installing dual-controller configurations, 19-21
 - installing single-controller configurations, 17-19
 - maintaining, 35-45
 - removing, 37-39
- Sun StorEdge 6120 storage array
 - cabling, 12-17
 - FRUs, 36
 - product documentation, 7
- switch-to-storage array components, replacing, 36

T

- technical support, 8
- training, 10

U

- upgrading, storage array firmware, 37

