



Sun Java System Message Queue 4.3 Technical Overview



Sun Microsystems, Inc.
4150 Network Circle
Santa Clara, CA 95054
U.S.A.

Part No: 820-6424
December, 2008

Copyright 2008 Sun Microsystems, Inc. 4150 Network Circle, Santa Clara, CA 95054 U.S.A. All rights reserved.

Sun Microsystems, Inc. has intellectual property rights relating to technology embodied in the product that is described in this document. In particular, and without limitation, these intellectual property rights may include one or more U.S. patents or pending patent applications in the U.S. and in other countries.

U.S. Government Rights – Commercial software. Government users are subject to the Sun Microsystems, Inc. standard license agreement and applicable provisions of the FAR and its supplements.

This distribution may include materials developed by third parties.

Parts of the product may be derived from Berkeley BSD systems, licensed from the University of California. UNIX is a registered trademark in the U.S. and other countries, exclusively licensed through X/Open Company, Ltd.

Sun, Sun Microsystems, the Sun logo, the Solaris logo, the Java Coffee Cup logo, docs.sun.com, Java, and Solaris are trademarks or registered trademarks of Sun Microsystems, Inc. or its subsidiaries in the U.S. and other countries. All SPARC trademarks are used under license and are trademarks or registered trademarks of SPARC International, Inc. in the U.S. and other countries. Products bearing SPARC trademarks are based upon an architecture developed by Sun Microsystems, Inc.

The OPEN LOOK and Sun™ Graphical User Interface was developed by Sun Microsystems, Inc. for its users and licensees. Sun acknowledges the pioneering efforts of Xerox in researching and developing the concept of visual or graphical user interfaces for the computer industry. Sun holds a non-exclusive license from Xerox to the Xerox Graphical User Interface, which license also covers Sun's licensees who implement OPEN LOOK GUIs and otherwise comply with Sun's written license agreements.

Products covered by and information contained in this publication are controlled by U.S. Export Control laws and may be subject to the export or import laws in other countries. Nuclear, missile, chemical or biological weapons or nuclear maritime end uses or end users, whether direct or indirect, are strictly prohibited. Export or reexport to countries subject to U.S. embargo or to entities identified on U.S. export exclusion lists, including, but not limited to, the denied persons and specially designated nationals lists is strictly prohibited.

DOCUMENTATION IS PROVIDED "AS IS" AND ALL EXPRESS OR IMPLIED CONDITIONS, REPRESENTATIONS AND WARRANTIES, INCLUDING ANY IMPLIED WARRANTY OF MERCHANTABILITY, FITNESS FOR A PARTICULAR PURPOSE OR NON-INFRINGEMENT, ARE DISCLAIMED, EXCEPT TO THE EXTENT THAT SUCH DISCLAIMERS ARE HELD TO BE LEGALLY INVALID.

Copyright 2008 Sun Microsystems, Inc. 4150 Network Circle, Santa Clara, CA 95054 U.S.A. Tous droits réservés.

Sun Microsystems, Inc. détient les droits de propriété intellectuelle relatifs à la technologie incorporée dans le produit qui est décrit dans ce document. En particulier, et ce sans limitation, ces droits de propriété intellectuelle peuvent inclure un ou plusieurs brevets américains ou des applications de brevet en attente aux Etats-Unis et dans d'autres pays.

Cette distribution peut comprendre des composants développés par des tierces personnes.

Certains composants de ce produit peuvent être dérivées du logiciel Berkeley BSD, licenciés par l'Université de Californie. UNIX est une marque déposée aux Etats-Unis et dans d'autres pays; elle est licenciée exclusivement par X/Open Company, Ltd.

Sun, Sun Microsystems, le logo Sun, le logo Solaris, le logo Java Coffee Cup, docs.sun.com, Java et Solaris sont des marques de fabrique ou des marques déposées de Sun Microsystems, Inc., ou ses filiales, aux Etats-Unis et dans d'autres pays. Toutes les marques SPARC sont utilisées sous licence et sont des marques de fabrique ou des marques déposées de SPARC International, Inc. aux Etats-Unis et dans d'autres pays. Les produits portant les marques SPARC sont basés sur une architecture développée par Sun Microsystems, Inc.

L'interface d'utilisation graphique OPEN LOOK et Sun a été développée par Sun Microsystems, Inc. pour ses utilisateurs et licenciés. Sun reconnaît les efforts de pionniers de Xerox pour la recherche et le développement du concept des interfaces d'utilisation visuelle ou graphique pour l'industrie de l'informatique. Sun détient une licence non exclusive de Xerox sur l'interface d'utilisation graphique Xerox, cette licence couvrant également les licenciés de Sun qui mettent en place l'interface d'utilisation graphique OPEN LOOK et qui, en outre, se conforment aux licences écrites de Sun.

Les produits qui font l'objet de cette publication et les informations qu'il contient sont régis par la législation américaine en matière de contrôle des exportations et peuvent être soumis au droit d'autres pays dans le domaine des exportations et importations. Les utilisations finales, ou utilisateurs finaux, pour des armes nucléaires, des missiles, des armes chimiques ou biologiques ou pour le nucléaire maritime, directement ou indirectement, sont strictement interdites. Les exportations ou réexportations vers des pays sous embargo des Etats-Unis, ou vers des entités figurant sur les listes d'exclusion d'exportation américaines, y compris, mais de manière non exclusive, la liste de personnes qui font objet d'un ordre de ne pas participer, d'une façon directe ou indirecte, aux exportations des produits ou des services qui sont régis par la législation américaine en matière de contrôle des exportations et la liste de ressortissants spécifiquement désignés, sont rigoureusement interdites.

LA DOCUMENTATION EST FOURNIE "EN L'ETAT" ET TOUTES AUTRES CONDITIONS, DECLARATIONS ET GARANTIES EXPRESSES OU TACITES SONT FORMELLEMENT EXCLUES, DANS LA MESURE AUTORISEE PAR LA LOI APPLICABLE, Y COMPRIS NOTAMMENT TOUTE GARANTIE IMPLICITE RELATIVE A LA QUALITE MARCHANDE, A L'APTITUDE A UNE UTILISATION PARTICULIERE OU A L'ABSENCE DE CONTREFACON.

Contents

Preface	11
1 Messaging Systems: An Introduction	21
Message-Oriented Middleware (MOM)	21
JMS as a MOM Standard	26
JMS Messaging Objects and Domains	27
Administered Objects	28
Message Queue: Elements and Features	30
The Message Queue Service	31
Message Queue as an Enabling Technology	36
Message Queue Feature Summary	37
2 Client Programming Model	39
Messaging Domains	39
Point-To-Point Messaging	39
Publish/Subscribe Messaging	42
Domain-Specific and Unified APIs	44
Programming Objects	45
Connection Factories and Connections	47
Sessions	48
Messages	49
Producing a Message	51
Consuming a Message	52
Synchronous and Asynchronous Consumers	52
Using Selectors to Filter Messages	53
Using Durable Subscribers	53
The Request-Reply Pattern	53

Reliable Message Delivery	55
Acknowledgements	55
Transactions	56
Persistent Storage	57
A Message's Journey Through the System	58
Message Production	59
Message Handling and Routing	59
Message Consumption	60
Message End-of-Life	60
Design and Performance	60
Working with SOAP Messages	61
Java and C Clients	61
3 The Message Queue Broker	63
Broker Services	63
Connection Services	64
Message Delivery Services	66
Persistence Services	69
Security Services	70
Monitoring Services	73
Administration Tools	76
Built-in Administration Tools	76
JMX-Based Administration	78
Administration Tasks	79
Supporting a Development Environment	79
Supporting a Production Environment	80
4 Broker Clusters	83
Cluster Models	83
Cluster Message Delivery	84
Propagation of Information Across a Cluster	85
Message Delivery Mechanisms	86
Conventional Clusters	87
Enhanced Clusters	89
Cluster Models Compared	92

Cluster Configuration	93
5 Message Queue and Java EE	95
JMS/Java EE Programming: Message-Driven Beans	95
Java EE Application Server Support	97
A Message Queue Implementation of Optional JMS Functionality	99
Optional Features	99
B Message Queue Features	101
Feature List	102
Glossary	121
Index	125

Tables

TABLE 2-1	JMS Programming Domains and Objects	44
TABLE 2-2	Producing and Consuming Messages.	46
TABLE 2-3	JMS-Defined Message Header	49
TABLE 2-4	Message Body Types	51
TABLE 4-1	Clustering Model Differences	93
TABLE A-1	Optional JMS Functionality	99
TABLE B-1	Message Queue Features	102

Figures

FIGURE 1-1	Middleware	22
FIGURE 1-2	MOM-Based System	23
FIGURE 1-3	Combining RPC and MOM Systems	25
FIGURE 1-4	JMS Messaging Domains	27
FIGURE 1-5	Basic Elements of a JMS Application System	29
FIGURE 1-6	Message Queue Service	31
FIGURE 2-1	Simple Point-to-Point Messaging	40
FIGURE 2-2	Complex Point-to-Point Messaging	41
FIGURE 2-3	Simple Publish/Subscribe Messaging	42
FIGURE 2-4	Complex Publish/Subscribe Messaging	43
FIGURE 2-5	JMS Programming Objects	46
FIGURE 2-6	Request/Reply Pattern	54
FIGURE 2-7	Message Delivery Steps	59
FIGURE 3-1	Persistence Support	69
FIGURE 3-2	Security Manager Support	71
FIGURE 3-3	Monitoring Service Support	74
FIGURE 3-4	Message Queue Administration Tools	77
FIGURE 4-1	Message Queue Broker Cluster	85
FIGURE 4-2	Conventional Broker Cluster	88
FIGURE 4-3	Enhanced Cluster	90
FIGURE 4-4	Cluster Infrastructure	92
FIGURE 5-1	Messaging with MDBs	96

Preface

This book, the *Sun Java System Message Queue 4.2 Technical Overview*, provides an introduction to the technology, concepts, architecture, capabilities, and features of the Message Queue messaging service.

As such, this book provides the foundation for other books within the Message Queue documentation set, and should be read first.

This preface consists of the following sections:

- “Who Should Use This Book” on page 11
- “Before You Read This Book” on page 12
- “How This Book Is Organized” on page 12
- “Documentation Conventions” on page 13
- “Related Documentation” on page 16
- “Searching Sun Product Documentation” on page 20
- “Sun Welcomes Your Comments” on page 20

Who Should Use This Book

This guide is meant for application developers, administrators, and other parties who plan to use the Message Queue product or who wish to understand the technology, concepts, architecture, capabilities, and features of the product. In the context of Message Queue:

- An *application developer* is responsible for writing Message Queue client applications that use the Message Queue service to exchange messages with other client applications.
- An *administrator* is responsible for setting up and managing a Message Queue messaging service.

This book does not assume any knowledge of messaging systems or the Java Message Service (JMS) specification, which is implemented by the Message Queue service.

Before You Read This Book

There are no prerequisites to this book. You should read this book to gain an understanding of basic Message Queue concepts and technology before reading the Message Queue developer and administration guides.

How This Book Is Organized

This guide is designed to be read from beginning to end; each chapter builds on information contained in earlier chapters. The following table briefly describes the contents of each chapter.

TABLE P-1 Book Contents and Organization

Chapter	Description
Chapter 1, “Messaging Systems: An Introduction”	Introduces messaging middleware technology, discusses the JMS standard, and describes the Message Queue service implementation of that standard.
Chapter 2, “Client Programming Model”	Describes the JMS programming model and how you can use the Message Queue client runtime to create JMS clients. Describes runtime support for C++ clients and for the transport of SOAP messages.
Chapter 3, “The Message Queue Broker”	Discusses administrative tasks and tools and describes broker services used to configure connections, routing, persistence, security, and monitoring.
Chapter 4, “Broker Clusters”	Discusses the architecture and use of Message Queue broker clusters.
Chapter 5, “Message Queue and Java EE”	Explores the ramifications of implementing JMS support in a Java EE platform environment.
Appendix A, “Message Queue Implementation of Optional JMS Functionality”	Describes how the Message Queue product handles JMS optional items.
Appendix B, “Message Queue Features”	Lists Message Queue features, summarizes steps needed to implement these, and provides reference for further information.
Glossary	Provides information about terms and concepts you might encounter while using Message Queue.

Documentation Conventions

This section describes the following conventions used in Message Queue documentation:

- “Typographic Conventions” on page 13
- “Symbol Conventions” on page 13
- “Shell Prompt Conventions” on page 14
- “Directory Variable Conventions” on page 14

Typographic Conventions

The following table describes the typographic conventions that are used in this book.

TABLE P-2 Typographic Conventions

Typeface	Meaning	Example
AaBbCc123	The names of commands, files, and directories, and onscreen computer output	Edit your <code>.login</code> file. Use <code>ls -a</code> to list all files. <code>machine_name%</code> you have mail.
AaBbCc123	What you type, contrasted with onscreen computer output	<code>machine_name%</code> su Password:
<i>aabbcc123</i>	Placeholder: replace with a real name or value	The command to remove a file is <i>rm filename</i> .
<i>AaBbCc123</i>	Book titles, new terms, and terms to be emphasized	Read Chapter 6 in the <i>User's Guide</i> . <i>A cache</i> is a copy that is stored locally. Do <i>not</i> save the file. Note: Some emphasized items appear bold online.

Symbol Conventions

The following table explains symbols that might be used in this book.

TABLE P-3 Symbol Conventions

Symbol	Description	Example	Meaning
[]	Contains optional arguments and command options.	ls [-l]	The -l option is not required.
{ }	Contains a set of choices for a required command option.	-d {y n}	The -d option requires that you use either the y argument or the n argument.
\${ }	Indicates a variable reference.	\${com.sun.javaRoot}	References the value of the com.sun.javaRoot variable.
-	Joins simultaneous multiple keystrokes.	Control-A	Press the Control key while you press the A key.
+	Joins consecutive multiple keystrokes.	Ctrl+A+N	Press the Control key, release it, and then press the subsequent keys.
→	Indicates menu item selection in a graphical user interface.	File → New → Templates	From the File menu, choose New. From the New submenu, choose Templates.

Shell Prompt Conventions

The following table shows the conventions used in Message Queue documentation for the default UNIX® system prompt and superuser prompt for the C shell, Bourne shell, Korn shell, and for the Windows operating system.

TABLE P-4 Shell Prompt Conventions

Shell	Prompt
C shell on UNIX, Linux, or AIX	<i>machine-name%</i>
C shell superuser on UNIX, Linux, or AIX	<i>machine-name#</i>
Bourne shell and Korn shell on UNIX, Linux, or AIX	\$
Bourne shell and Korn shell superuser on UNIX, Linux, or AIX	#
Windows command line	C:\>

Directory Variable Conventions

Message Queue documentation makes use of three directory variables; two of which represent environment variables needed by Message Queue. (How you set the environment variables varies from platform to platform.)

The following table describes the directory variables that might be found in this book and how they are used on the Solaris, Linux, AIX, and Windows platforms. On AIX and Windows, Message Queue is installed in a directory referred to as *mqInstallHome*, and some of the directory variables in [Table P-5](#) reference this *mqInstallHome* directory.

Note – In this book, directory variables are shown without platform-specific environment variable notation or syntax (such as \$IMQ_HOME on UNIX). Non-platform-specific path names use UNIX directory separator (/) notation.

TABLE P-5 Directory Variable Conventions

Variable	Description
IMQ_HOME	<p>Message Queue home directory, if any:</p> <ul style="list-style-type: none"> ■ Unused on Solaris and Linux; because there is no <i>mqInstallHome</i> directory on these platforms, there is no corresponding Message Queue home directory. ■ On AIX, IMQ_HOME denotes the directory <i>mqInstallHome/mq</i>, where <i>mqInstallHome</i> is specified when you install the product (by default, <i>home-directory/MessageQueue</i>). ■ On Windows, IMQ_HOME denotes the directory <i>mqInstallHome\mq</i>, where <i>mqInstallHome</i> is specified when you install the product (by default, <i>C:\Program Files\Sun\MessageQueue</i>). <p>Note – The information above applies only to the standalone installation of Message Queue. When Message Queue is installed and run as part of a Sun Java System Application Server installation, IMQ_HOME is set to <i>appServerInstallDir/imq</i>, where <i>appServerInstallDir</i> is the Application Server installation directory.</p>
IMQ_VARHOME	<p>Directory in which Message Queue temporary or dynamically created configuration and data files are stored; IMQ_VARHOME can be explicitly set as an environment variable to point to any directory or will default as described below:</p> <ul style="list-style-type: none"> ■ On Solaris, IMQ_VARHOME defaults to <i>/var/imq</i>. ■ On Linux, IMQ_VARHOME defaults to <i>/var/opt/sun/mq</i>. ■ On AIX, IMQ_VARHOME defaults to <i>mqInstallHome/var/mq</i>. ■ On Windows, IMQ_VARHOME defaults to <i>mqInstallHome\var\mq</i>. <p>Note – The information above applies only to the standalone installation of Message Queue. When Message Queue is installed and run as part of a Sun Java System Application Server installation, IMQ_VARHOME is set to <i>appServerDomainDir/imq</i>, where <i>appServerDomainDir</i> is the domain directory for the domain starting the Message Queue broker.</p>

TABLE P-5 Directory Variable Conventions (Continued)

Variable	Description
IMQ_JAVAHOME	<p>An environment variable that points to the location of the Java runtime environment (JRE) required by Message Queue executable files:</p> <ul style="list-style-type: none"> ■ On Solaris, Message Queue looks for the latest JDK, but you can optionally set the value of <code>IMQ_JAVAHOME</code> to wherever the preferred JRE resides. ■ On Linux, Message Queue looks for the latest JDK, but you can optionally set the value of <code>IMQ_JAVAHOME</code> to wherever the preferred JRE resides. ■ On AIX, <code>IMQ_JAVAHOME</code> is set to point to an existing Java runtime when you perform Message Queue installation. ■ On Windows, <code>IMQ_JAVAHOME</code> is set to point to an existing Java runtime if a supported version is found on the system when you perform Message Queue installation. If a supported version is not found, one will be installed.

Related Documentation

The information resources listed in this section provide further information about Message Queue in addition to that contained in this manual. The section covers the following resources:

- “Message Queue Documentation Set” on page 16
- “Java Message Service (JMS) Specification” on page 17
- “JavaDoc” on page 17
- “Example Client Applications” on page 18
- “Online Help” on page 19
- “Documentation, Support, and Training” on page 19
- “Third-Party Web Site References” on page 20

Message Queue Documentation Set

The documents that comprise the Message Queue documentation set are listed in the following table in the order in which you might normally use them. These documents are available through the Sun documentation Web site at

<http://www.sun.com/documentation/>

Click “Software,” followed by “Application & Integration Services,” and then “Message Queue.”

For a content reference to topics with the Message Queue documentation set, see the *Message Queue Documentation Center* at the above location.

TABLE P-6 Message Queue Documentation Set

Document	Audience	Description
<i>Sun Java System Message Queue 4.3 Technical Overview</i>	Developers and administrators	Describes Message Queue concepts, features, and components.
<i>Sun Java System Message Queue 4.3 Release Notes</i>	Developers and administrators	Includes descriptions of new features, limitations, and known bugs, as well as technical notes.
<i>Sun Java System Message Queue 4.3 Installation Guide</i>	Developers and administrators	Explains how to install Message Queue software on Solaris, Linux, AIX, and Windows platforms.
<i>Sun Java System Message Queue 4.3 Developer's Guide for Java Clients</i>	Developers	Provides a quick-start tutorial and programming information for developers of Java client programs using the Message Queue implementation of the JMS or SOAP/JAXM APIs.
<i>Sun Java System Message Queue 4.3 Administration Guide</i>	Administrators, also recommended for developers	Provides background and information needed to perform administration tasks using Message Queue administration tools.
<i>Sun Java System Message Queue 4.3 Developer's Guide for C Clients</i>	Developers	Provides programming and reference documentation for developers of C client programs using the Message Queue C implementation of the JMS API (C-API).
<i>Sun Java System Message Queue 4.3 Developer's Guide for JMX Clients</i>	Administrators	Provides programming and reference documentation for developers of JMX client programs using the Message Queue JMX API.

Java Message Service (JMS) Specification

The Message Queue message service conforms to the Java Message Service (JMS) application programming interface, described in the *Java Message Service Specification*. This document can be found at the URL

<http://java.sun.com/products/jms/docs.html>

JavaDoc

JMS and Message Queue API documentation in JavaDoc format is included in your Message Queue installation at the locations shown in [Table P-7](#), depending on your platform. This

documentation can be viewed in any HTML browser. It includes standard JMS API documentation as well as Message Queue–specific APIs.

TABLE P-7 JavaDoc Locations

Platform	Location
Solaris	/usr/share/javadoc/imq/index.html
Linux	/opt/sun/mq/javadoc/index.html
AIX	IMQ_HOME/javadoc/index.html ¹
Windows	IMQ_HOME\javadoc\index.html ¹

¹ IMQ_HOME is the Message Queue home directory.

Example Client Applications

Message Queue provides a number of example client applications to assist developers.

Example Java Client Applications

Example Java client applications are located in the following directories, depending on platform. See the README files located in these directories and their subdirectories for descriptive information about the example applications.

Platform	Location
Solaris	/usr/demo/imq/
Linux	/opt/sun/mq/examples
AIX	IMQ_HOME/demo/ ¹
Windows	IMQ_HOME\demo\ ¹

¹ IMQ_HOME is the Message Queue home directory.

Example C Client Programs

Example C client applications are located in the following directories, depending on platform. See the README files located in these directories and their subdirectories for descriptive information about the example applications.

Platform	Location
Solaris	/opt/SUNWimq/demo/C/

Platform	Location
Linux	/opt/sun/mq/examples/C/
AIX	IMQ_HOME/demo/C/ ¹
Windows	IMQ_HOME\demo\C\ ¹

¹ IMQ_HOME is the Message Queue home directory.

Example JMX Client Programs

Example Java Management Extensions (JMX) client applications are located in the following directories, depending on platform. See the README files located in these directories and their subdirectories for descriptive information about the example applications.

Platform	Location
Solaris	/opt/SUNWimq/demo/imq/jmx
Linux	/opt/sun/mq/examples/jmx
AIX	IMQ_HOME/demo/jmx ¹
Windows	IMQ_HOME\demo\jmx ¹

¹ IMQ_HOME is the Message Queue home directory.

Online Help

Online help is available for the Message Queue command line utilities; for details, see [Chapter 15, “Command Line Reference,” in *Sun Java System Message Queue 4.3 Administration Guide*](#) for details. The Message Queue graphical user interface (GUI) administration tool, the Administration Console, also includes a context-sensitive help facility; see the section “Administration Console Online Help” in [Chapter 2, “Quick-Start Tutorial,” in *Sun Java System Message Queue 4.3 Administration Guide*](#).

Documentation, Support, and Training

The Sun Web site provides information about the following additional resources:

- [Documentation \(http://www.sun.com/documentation/\)](http://www.sun.com/documentation/)
- [Support \(http://www.sun.com/support/\)](http://www.sun.com/support/)
- [Training \(http://www.sun.com/training/\)](http://www.sun.com/training/)

Third-Party Web Site References

Where relevant, this manual refers to third-party URLs that provide additional, related information.

Note – Sun is not responsible for the availability of third-party Web sites mentioned in this manual. Sun does not endorse and is not responsible or liable for any content, advertising, products, or other materials available on or through such sites or resources. Sun will not be responsible or liable for any actual or alleged damage or loss caused or alleged to be caused by or in connection with the use of or reliance on any such content, goods, or services available on or through such sites or resources.

Searching Sun Product Documentation

Besides searching Sun product documentation from the docs.sun.com web site, you can use a search engine by typing the following syntax in the search field:

```
search-term site:docs.sun.com
```

For example, to search for “broker,” type the following:

```
broker site:docs.sun.com
```

To include other Sun web sites in your search (for example, java.sun.com, www.sun.com, and developers.sun.com), use “sun.com” in place of “docs.sun.com” in the search field.

Sun Welcomes Your Comments

Sun is interested in improving its documentation and welcomes your comments and suggestions. To share your comments, go to <http://docs.sun.com> and click Send Comments. In the online form, provide the full document title and part number. The part number is a 7-digit or 9-digit number that can be found on the book's title page or in the document's URL. For example, the part number of this book is 819-7759.

Messaging Systems: An Introduction

Sun Java™ System Message Queue is a leading business integration messaging system designed to provide exceptional reliability and scalability.

Message Queue is a messaging middleware product that implements the Java Message Service (JMS) standard. In addition, Message Queue provides enterprise-strength capabilities, including advanced integration, administration, security, and high-availability features.

Message Queue can be used as a stand-alone messaging service or it can be used as an enabling technology, deployed in a Java EE application server to provide asynchronous messaging. It is an integral enabling technology of the GlassFish Application Server (formerly Sun Java Application Server) and it is also a key component of Java Enterprise System's middleware software offering.

This chapter describes the messaging technology that underlies Message Queue and explains how Message Queue implements and extends the JMS specification. If you are familiar with the JMS specification, you can skip to the section of this chapter on [“Message Queue: Elements and Features”](#) on page 30. Otherwise, you should begin at the beginning.

The chapter covers the following topics:

- [“Message-Oriented Middleware \(MOM\)”](#) on page 21
- [“JMS as a MOM Standard”](#) on page 26
- [“Message Queue: Elements and Features”](#) on page 30

Message-Oriented Middleware (MOM)

Because businesses, institutions, and technologies change continually, the software systems that serve them must be able to accommodate such changes. Following a merger, the addition of a service, or the expansion of available services, a business can ill afford to recreate its information systems. It is at this most critical point that it needs to integrate new components or to scale existing ones as efficiently as possible. The easiest way to integrate heterogeneous components

is not to recreate them as homogeneous elements but to provide a layer that allows them to communicate despite their differences. This layer, called *middleware*, allows software components (applications, enterprise java beans, servlets, and other components) that have been developed independently and that run on different networked platforms to interact with one another. It is when this interaction is possible that the network can become the computer.

As shown in Figure 1-1, conceptually, middleware resides between the application layer and the platform layer (the operating system and underlying network services).

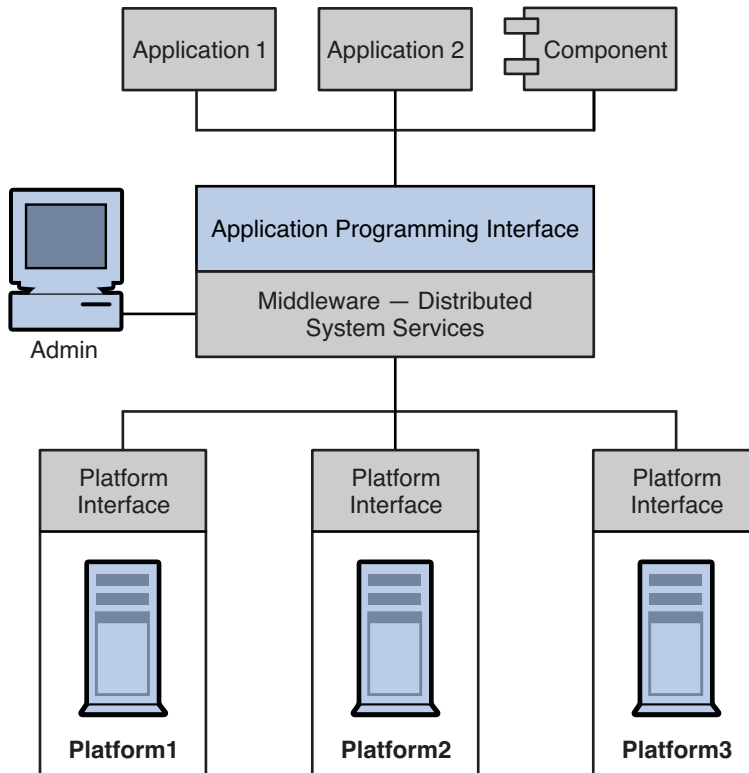


FIGURE 1-1 Middleware

Applications distributed on different network nodes use the application interface to communicate without having to be concerned with the details of the operating environments that host other applications nor with the services that connect them to these applications. In addition, by providing an administrative interface, this new, virtual system of interconnected applications can be made reliable and secure. Its performance can be measured and tuned, and it can be scaled without losing function.

Middleware can be grouped into the following categories:

- Remote Procedure Call or RPC-based middleware, which allows procedures in one application to call procedures in remote applications as if they were local calls. The middleware implements a linking mechanism that locates remote procedures and makes these transparently available to a caller. Traditionally, this type of middleware handled procedure-based programs; it now also includes object-based components.
- Object Request Broker or ORB-based middleware, which enables an application's objects to be distributed and shared across heterogeneous networks.
- Message Oriented Middleware or MOM-based middleware, which allows distributed applications to communicate and exchange data by sending and receiving messages.

All these models make it possible for one software component to affect the behavior of another component over a network. They are different in that RPC- and ORB-based middleware create systems of tightly-coupled components, whereas MOM-based systems allow for a looser coupling of components. In an RPC- or ORB-based system, when one procedure calls another, it must wait for the called procedure to return before it can do anything else. In these *synchronous* messaging models, the middleware functions partly as a super-linker, locating the called procedure on a network and using network services to pass function or method parameters to the procedure and then to return results.

MOM-based systems allows communication to happen through the *asynchronous* exchange of messages, as shown in [Figure 1-2](#).

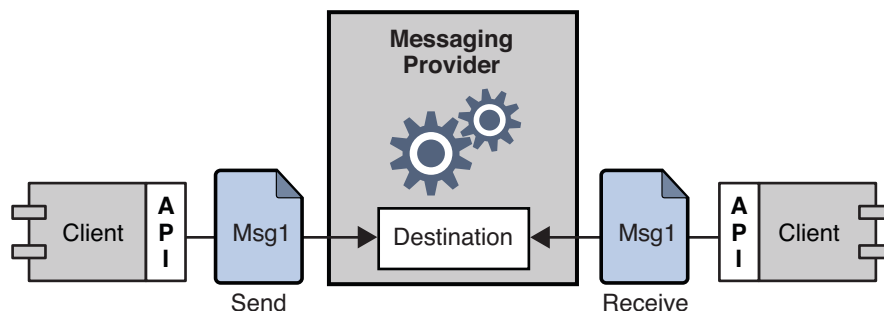


FIGURE 1-2 MOM-Based System

Message Oriented Middleware makes use of messaging provider to mediate messaging operations. The basic elements of a MOM system are clients, messages, and the MOM provider, which includes an API and administrative tools. The MOM provider uses different architectures to route and deliver messages: it can use a centralized message server or it can distribute routing and delivery functions to each client machine. Some MOM products combine these two approaches.

Using a MOM system, a client makes an API call to send a message to a *destination* managed by the provider. The call invokes provider services to route and deliver the message. Once it has sent the message, the client can continue to do other work, confident that the provider retains the message until a receiving client retrieves it. The message-based model, coupled with the mediation of the provider, makes it possible to create a system of loosely-coupled components. Such a system can contin

One other advantage of having a messaging provider mediate messaging between clients is that by adding an administrative interface, you can monitor and tune performance. Client applications are thus effectively relieved of every problem except that of sending, receiving, and processing messages. It is up to the code that implements the MOM system and up to the administrator to resolve issues like interoperability, reliability, security, scalability, and performance.

So far we have described the advantages of connecting distributed components using message-oriented middleware. There are also disadvantages: one of them results from the loose coupling itself. With a *synchronous* messaging system, the calling function does not return until the called function has finished its task. In an *asynchronous* system, the calling client can continue to load work upon the recipient until the resources needed to handle this work are depleted and the called component fails. Of course, these conditions can be minimized or avoided by monitoring performance and adjusting message flow, but this is work that is not needed with a synchronous messaging system. The important thing is to understand the advantages and liabilities of each kind of system. Each system is appropriate for different kinds of tasks. Sometimes, you will need to combine the two kinds of systems to obtain the exact behavior you need.

Figure 1–3 shows the way a MOM system can enable communication between two synchronous messaging systems (for example, two RPC-based systems). The left side of the figure shows an application that distributes client, server, and data store components on different networked nodes for improved performance. This is a discount airline reservation system: an end user pays a fee to use this service, which allows it to find the lowest available fare for given destinations and times. The data store holds information about registered users and about airlines that participate in this program. Based on the user's request, logic on the server queries participating airlines for prices, sorts through the information, and presents the three lowest bids to the user. The right side of the picture shows an RPC-based system that represents the ticket/reservation system for any one of the participating airlines. The right side of the picture would be replicated for as many airlines as the discounter is connected to. For each such airline, the data store would hold information about available flights (seating, flight times, and prices). The server component would update that information in response to data input by the end user. The airline server also subscribes to the MOM service, accepting requests for information from the discount reservation system and returning seating and pricing information. If a customer decides to purchase a discounted ticket on a PanWorld flight, the server component for that system would update the information in the data store and then either generate a ticket for the requester or send a message to the discounting service to generate the ticket.

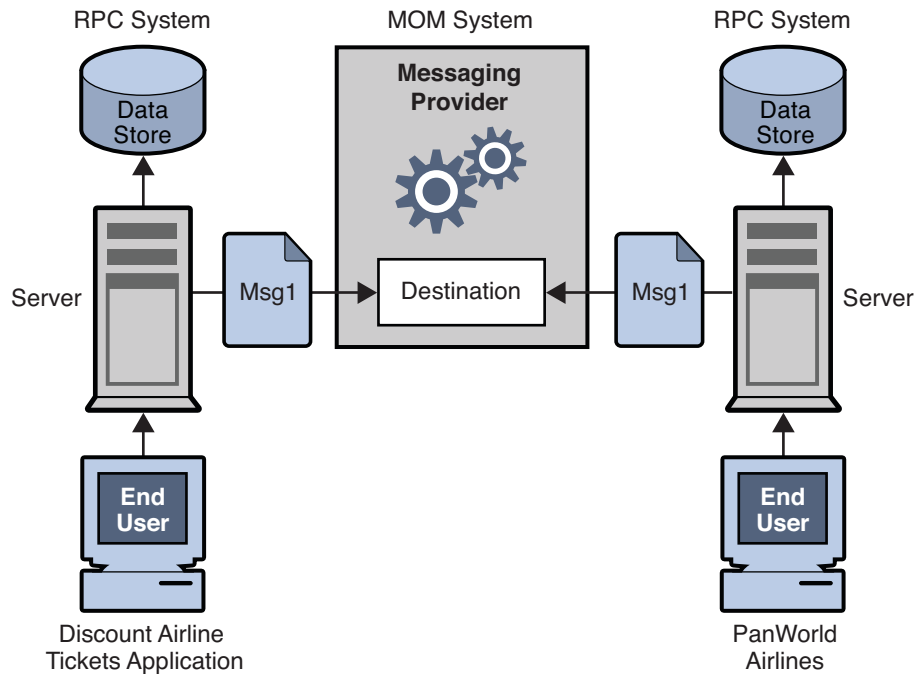


FIGURE 1-3 Combining RPC and MOM Systems

This example illustrates some of the differences between RPC and MOM systems. The difference in the way in which distributed components are coupled has already been mentioned. Another difference is that while RPC systems are often used to distribute and connect client and server components in which the client component is directly accessed by an end-user, with MOM systems, client components are often heterogeneous software systems that can only interoperate by means of asynchronous messaging.

A more serious problem with MOM systems arises from the fact that MOMs are implemented as proprietary products. What happens when your company, which depends on SuperMOM-X acquires a company that uses SuperMOM-Y? To resolve this problem, a standard messaging interface is needed. If both SuperMOM-X and SuperMOM-Y implemented this interface, then applications developed to run on one system could also run on the other. Such an interface should be simple to learn but provide enough features to support sophisticated messaging applications. The Java Message Service (JMS) specification, introduced in 1998, aimed to do just that. The next section describes the basic features of JMS and explains how the standard was developed to embrace common elements of existing proprietary MOM products as well as to allow for differences and further growth.

JMS as a MOM Standard

The Java Messaging Service specification was originally developed to allow Java applications access to existing MOM systems. Since its introduction, it has been adopted by many existing MOM vendors and it has been implemented as an asynchronous messaging system in its own right.

In creating the JMS specification, its designers wanted to capture the following essential elements of existing messaging systems:

- The concept of a messaging provider that routes and delivers messages
- Support for reliable message delivery
- Distinct messaging patterns or domains such as point-to-point messaging and publish/subscribe messaging
- Facilities for pushing messages to message consumers (asynchronous receipt) and having them pulled by message consumers (synchronous receipt).
- Common message formats such as stream, text, and byte

Vendors implement the JMS specification by supplying a *JMS provider* consisting of libraries that implement the JMS interfaces, of functionality for routing and delivering messages, and of administrative tools that manage, monitor, and tune the messaging service. Routing and delivery functions can be performed by a centralized message server, or they can be implemented through functionality that is part of each client's runtime.

Equally, a JMS provider can play a variety of roles: it can be created as a stand-alone product or as an embedded component in a larger distributed runtime system. As a standalone product, it could be used to define the backbone of an enterprise application integration system; embedded in an application server, it could support inter-component messaging. For example, Java Platform, Enterprise Edition (Java EE) uses a JMS provider to implement message-driven beans and to allow EJB components to send and receive messages asynchronously.

To have created a standard that included all features of existing systems would have resulted in a system that was hard to learn and difficult to implement. Instead, JMS defined a least common denominator of messaging concepts and features. This resulted in a standard that is easy to learn and that maximizes the portability of JMS applications across JMS providers. It's important to note that JMS is an API standard, not a protocol standard. Because all JMS clients implement the same interface, it is easy to port one vendor's client to another vendor's JMS provide implementation. But different JMS vendors typically cannot communicate directly with one another.

The next section describes the basic objects and messaging patterns defined by the JMS specification.

JMS Messaging Objects and Domains

In order to send or receive messages, a JMS client must first connect to a JMS message server (most often called a *broker*): the connection opens a channel of communication between the client and the broker. Next, the client must set up a session for creating, producing, and consuming messages. You can think of the session as a stream of messages defining a particular conversation between the client and the broker. The client itself is a *message producer* and/or a *message consumer*. The message producer sends a *message* to a destination that the broker manages. The message consumer accesses that destination to consume the message. The message includes a header, optional properties, and a body. The body holds the data; the header contains information the broker needs to route and manage the message; and the properties can be defined by client applications or by a provider to serve their own needs in processing messages. Connections, sessions, destinations, messages, producers, and consumers are the basic objects that make up a JMS application.

Using these basic objects, a client application can use two messaging patterns (or *domains*) to send and receive messages. These are shown in [Figure 1-4](#).

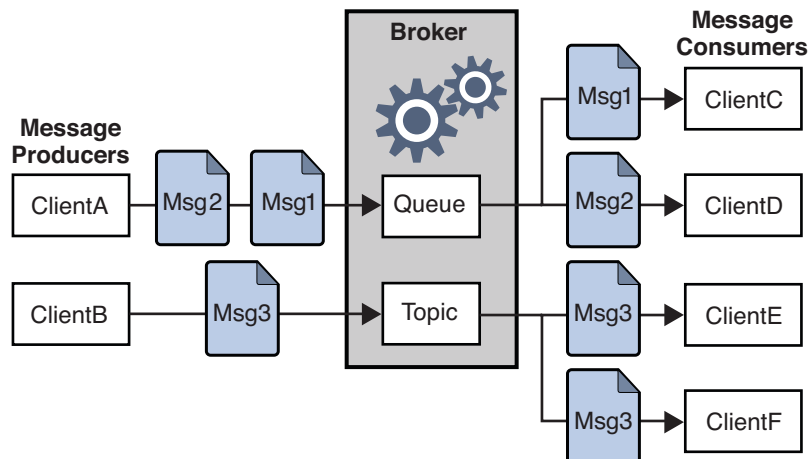


FIGURE 1-4 JMS Messaging Domains

Clients A and B are message producers, sending messages to clients C, D, E, and F by way of two different kinds of destinations.

- Messaging between clients A, C, and D illustrates the *point-to-point* domain. Using this pattern, a client sends a message to a queue destination from which only one receiver may get it. No other receiver accessing that destination can get that specific message.

- Messaging between clients B, E, and F illustrates the *publish/subscribe* domain. Using this broadcast pattern, a client sends a message to a topic destination from which any number of consuming subscribers can retrieve it. Each subscriber gets its own copy of the message.

Message consumers in either domain can choose to receive messages synchronously or asynchronously. *Synchronous consumers* make an explicit call to retrieve a message; *asynchronous consumers* specify a callback method that is invoked to pass a pending message. Consumers can also filter out messages by specifying selection criteria for incoming messages.

Administered Objects

The JMS specification created a standard that combined many elements of existing MOM systems without attempting to exhaust all possibilities. Rather, it sought to set up an extensible scheme that could accommodate differences and future growth. JMS leaves a number of messaging elements up to the individual JMS providers to define and implement. These include load balancing, standard error messages, administrative APIs, security, the underlying wire protocols, and message stores. The next section, “[Message Queue: Elements and Features](#)” on [page 30](#) describes how Message Queue implements many of these elements and how it extends the JMS specification.

Two messaging elements that the JMS specification does not completely define are connection factories and destinations. Although these are fundamental elements in the JMS programming model, there were so many existing and anticipated differences in the ways providers define and manage these objects, that it was neither possible nor desirable to create a common definition. Therefore, these two provider-specific objects, rather than being created programmatically, are normally created and configured using administration tools. They are then stored in an object store, and accessed by a JMS client through standard Java Naming and Directory Interface (JNDI) lookups.

- *Connection factory administered objects* are used to generate a client’s connections to the broker. They encapsulate provider-specific information that governs certain aspects of messaging behavior: connection handling, client identification, message header overrides, reliability, and flow control, and so on. Every connection derived from a given connection factory exhibits the behavior configured for that factory.
- *Destination administered objects* are used to reference *physical destinations* on the broker. They encapsulate provider-specific naming (address-syntax) conventions and they specify the messaging domain within which the destination is used: point-to-point (queue destination) or publish/subscribe (topic destination).

JMS clients, however, are not required to look up administered objects; they can create these objects programmatically. For quick prototyping, creating these objects programmatically might be easiest. But for deployment in a production environment, looking up administered objects in a central repository makes it much easier to control and manage messaging behavior throughout the system:

- By using administered objects for connection factory objects, administrators can tune messaging performance by reconfiguring these objects. Performance can be improved without having to recode client applications.
- By using administered objects for physical destinations, administrators can control the proliferation of these destinations (which can be auto-created) on the broker by requiring clients to access only preconfigured destination objects.
- Administered objects shield client developers from provider-specific implementation details and allow the code they develop for one provider to be portable to other providers with little or no change.

The use of administered objects completes the set of elements in a JMS application system, as shown in Figure 1-5.

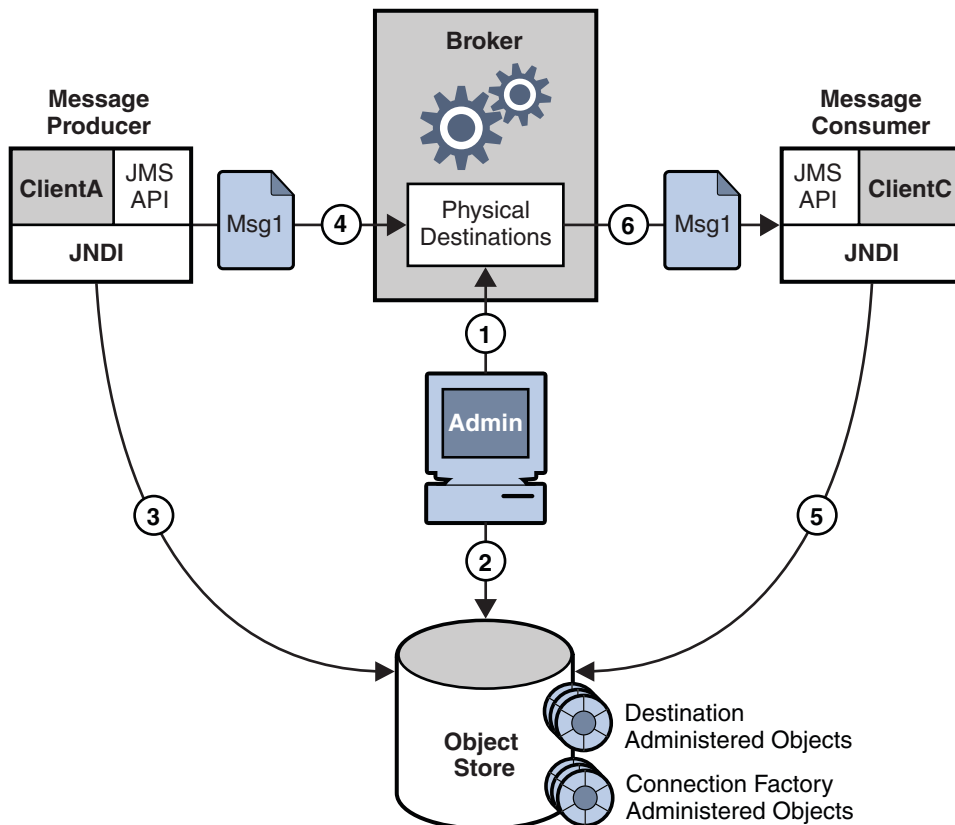


FIGURE 1-5 Basic Elements of a JMS Application System

Figure 1–5 shows how a message producer and a message consumer use destination administered objects to access the physical destination to which they correspond. The marked steps denote the actions that need to be taken by the administrator and by the client applications to send and receive messages using this mechanism:

1. The administrator creates a physical destination on the broker.
2. The administrator creates a destination administered object and configures it by specifying the name of the physical destination to which it corresponds and its type: queue or topic.
3. The message producer uses a JNDI call to look up the destination administered object that points to the corresponding physical destination.
4. The message producer sends a message to the physical destination.
5. The message consumer uses a JNDI call to look up the destination administered object that points to the corresponding physical destination from which it expects to get messages.
6. The message consumer gets the message from the physical destination.

The process of using connection factory administered objects is similar. The administrator creates and configures a connection factory administered object using administration tools. The client looks up the connection factory object and uses it to create a connection.

Although the use of administered objects adds a couple of steps to the messaging process, it also adds robustness and portability to messaging applications.

Message Queue: Elements and Features

So far we have described the elements of message-oriented middleware and the use of JMS as a way of adding portability to MOM applications. It now remains to describe how Message Queue implements the JMS specification and to introduce the features and tools it uses to provide reliable, secure, and scalable messaging services.

First, like many JMS providers, Message Queue can be used as a stand-alone product or it can be used as an enabling technology, embedded in a Java EE application server to provide asynchronous messaging. [Chapter 5, “Message Queue and Java EE,”](#) describes the role Message Queue plays in Java EE in greater detail. Unlike other JMS providers, Message Queue has been designated as the JMS reference implementation. This designation attests to the fact that Message Queue is a correct and complete JMS implementation. It also guarantees that the Message Queue product will remain current with any future JMS revisions and extensions.

This section covers the following topics:

- “The Message Queue Service” on page 31
- “Message Queue as an Enabling Technology” on page 36
- “Message Queue Feature Summary” on page 37

The Message Queue Service

As a JMS provider, Message Queue offers a *message service* that implements the JMS interfaces and that also provides administrative management and control. So far, in illustrating JMS providers, the focus has been mainly on the role of a broker in delivering messages. But in fact, a JMS provider must include many additional elements to provide reliable, secure, and scalable messaging. Figure 1–6 shows the elements that make up the Message Queue message service (the shaded elements in the figure).

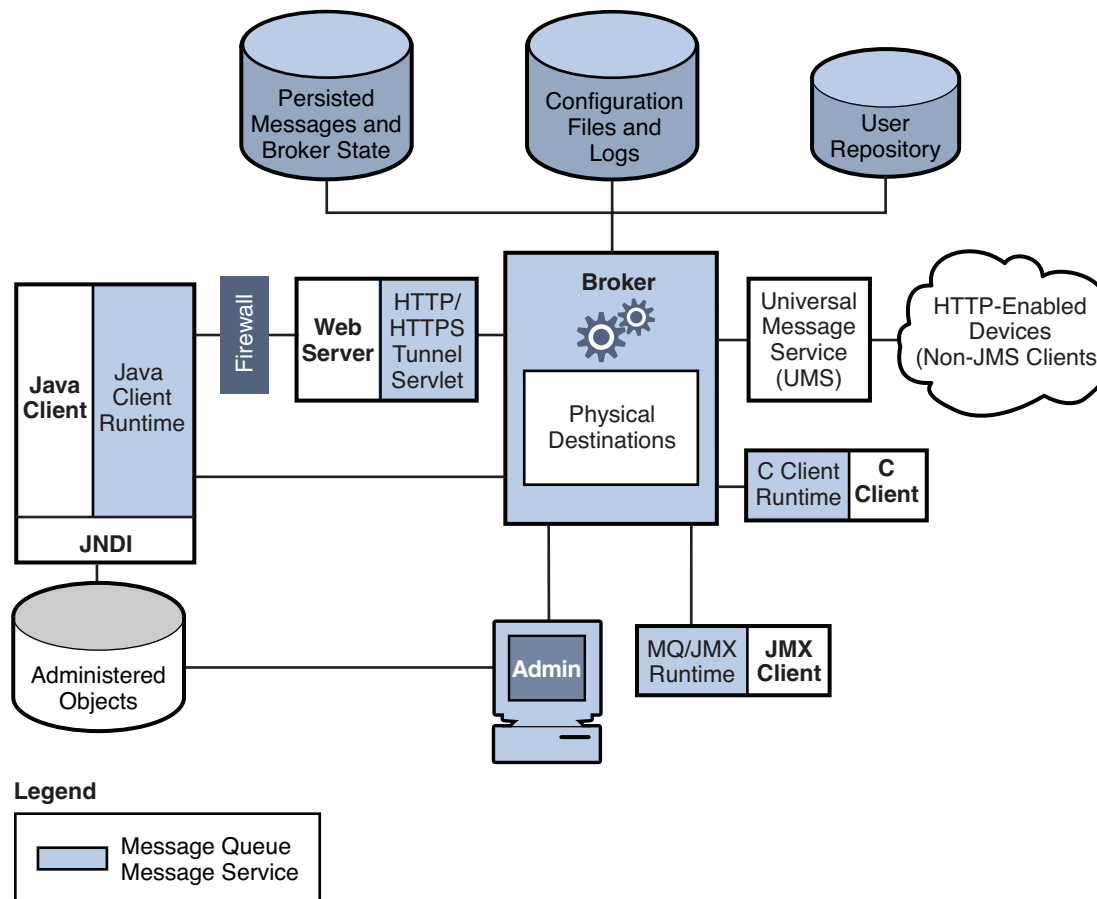


FIGURE 1–6 Message Queue Service

As you can see, a full-featured JMS provider is more complex than the basic JMS model might lead one to suspect. The following sections introduce the elements of the Message Queue service shown in Figure 1–6:

- [“The Broker” on page 32](#)
- [“Client Runtime Support” on page 32](#)
- [“Universal Message Service \(UMS\)” on page 34](#)
- [“Administration” on page 34](#)
- [“Broker Clusters: Scalability and Availability” on page 35](#)

The Broker

At the heart of the message service is the broker, which routes and delivers messages reliably, authenticates users, and gathers data for monitoring performance.

- To establish connections to both application clients and administration clients, the broker supports a number of connection services layered on top of several wire protocols.
- To route and deliver messages, the broker places incoming messages in their respective destinations and manages message flow into and out of these destinations.
- To provide reliable delivery, the broker uses a persistent data store to save state information and persistent messages until they are consumed. Should the broker or the connection fail, the saved information allows the broker to restore the broker’s state and to resume operations.
- To provide security for the data being exchanged the broker uses authenticated connections. Optionally data may be encrypted by running over a secure protocol like SSL. The broker also uses and manages a repository that holds information about users and the data or operations they can access. The broker authenticates users who are requesting services and authorizes the operations they want to carry out by looking up information in this repository.
- To monitor the system, the broker generates metrics and diagnostic information that an administrator can access to measure performance and to tune the broker. Metrics information is also available programmatically to allow applications or administrators to adjust message flow and patterns to improve performance.

The Message Queue service provides a variety of administrative tools that the administrator can use to configure broker support. For more information, see [“Built-in Administration Tools” on page 76](#).

Client Runtime Support

Client runtime support is provided in libraries that you use when building and running Message Queue clients. You can think of the client runtime as the part of the Message Queue service that enables the client. For example, when client code makes an API call to send a message, code in these libraries is invoked that packages the message bits appropriately for the protocol that will be used to relay the message to a physical destination on the broker.

Java and C Client Support

A JMS provider is only required to support Java clients; however, as [Figure 1–6](#) shows, a Message Queue client can use either the Java API or a proprietary C API to send or receive a message. These interfaces are implemented in Java or C runtime libraries, which do the actual work of creating connections to the broker and packaging the bits appropriately for the connection service being used.

- The Java client runtime supplies Java clients with the objects needed to interact with the broker. These objects include connections, sessions, messages, message producers, and message consumers.
- The C client runtime supplies C clients with the functions and structures needed to interact with the broker. It supports a procedural version of the JMS programming model. C clients cannot use JNDI to access administered objects, but can create connection factories and destinations programmatically. Message Queue provides the C API to enable legacy C and C++ applications to participate in JMS-based messaging.

There are a number of differences in the functionality provided by these two APIs; these are documented in [“Java and C Clients” on page 61](#).

It is important to remember that the JMS specification is a standard for Java clients only. C support is specific to the Message Queue provider and should not be used in client applications that you plan to port to other providers.

Support for SOAP Messages

SOAP (Simple Object Access Protocol) allows the exchange of structured data between two peers in a distributed environment. The data exchanged is specified by an XML schema. SOAP message delivery is limited to using the point-to-point domain and does not by itself guarantee reliability.

However, Message Queue Java clients are able to send and receive SOAP messages, encapsulated as JMS messages. By encapsulating a SOAP message in a JMS message and delivering it using the broker, you can take advantage of full featured Message Queue messaging, which guarantees reliable delivery and also allows you to use the publish/subscribe domain. Message Queue provides utility routines that a message producer can use to encapsulate a SOAP message as a JMS message and that a message consumer can use to extract a SOAP message from the JMS message. Message Queue also provides XML schema validation of the encapsulated XML message.

[“Working with SOAP Messages” on page 61](#) gives you a more detailed view of SOAP message processing.

Universal Message Service (UMS)

The Universal Messaging Service (UMS) and its messaging API provides access to Message Queue from any http-enabled device. As a result, almost any application can communicate with any other application and benefit from the reliability and guaranteed delivery of the Message Queue service.

The UMS, which runs in a web server, is language neutral and platform independent. The UMS serves as a gateway between any non-JMS client application and Message Queue. It receives messages sent using the UMS API, transforms them into JMS messages, and produces them to destinations in the Message Queue broker by way of the broker's connection services. Similarly, it retrieves messages from destinations in the broker, transforms them into text or SOAP messages, and sends the messages to non-JMS clients as requested by the clients through the UMS API.

The simple, language-independent, protocol-based UMS API supports both Web-based and non-Web-based applications, and can be used with both scripting and programming languages. The API is offered in two styles: a simple messaging API that uses a Representational State Transfer (REST)-style protocol, and an XML messaging API that embeds the protocol in a SOAP message header. In both cases, however, the API requires only a single http request to send or receive a message.

The simplicity and flexibility of the UMS API means that AJAX, .NET, Python, Ruby, C, Java, and many other applications can send text message and/or SOAP (with attachment) messages to JMS destinations or receive messages from JMS destinations. For example, Python applications can communicate with .NET applications, iPhone can communicate with Java applications, and so forth.

Administration

The Message Queue service offers command line tools that you can use to do the following:

- Start and configure the broker.
- Create and manage destinations, manage broker connections, and manage broker resources.
- Add, list, update, and deleted administered objects in a JNDI object store.
- Populate and manage a file-based user repository.
- Create and manage a JDBC compliant database for persistent storage.

You can also use a GUI-based administration console to perform the following command-line functions:

- Connect to a broker and manage it.
- Create and manage physical destinations.
- Connect to an object store, add objects to the store, and manage them.

In addition, to these built-in administration tools, Message Queue also supports the Java Management Extensions (JMX) specification for configuring and monitoring brokers, destinations, connection services, and so forth. Using the JMX Administration API, you can perform these administration functions programmatically from within a Java application.

Broker Clusters: Scalability and Availability

Message Queue brokers can be connected into a *broker cluster*: a set of brokers that work collectively to perform message delivery between message producers and consumers. Broker clusters add scalability and availability to the Message Queue service, as described briefly in the following sections:

- “Message Service Scalability” on page 35
- “Message Service Availability” on page 36

For additional information on broker clusters, see [Chapter 4, “Broker Clusters”](#)

Message Service Scalability

As the number of clients or the number of connections grows, you might need to scale a message service to eliminate bottlenecks or to improve performance. In general, you can scale a message service both vertically (increasing the number of client applications that are supported by a single broker) and horizontally (distributing client applications among a number of interconnected brokers).

Vertical scaling usually requires adding more processing power for a broker and by expanding available resources. You can do this by adding more processors or memory, by switching to a shared thread model, or by running the Java VM in 64 bit mode.

Horizontal scaling is generally achieved using a broker cluster. While it is possible to scale horizontally by simply redistributing clients among additional brokers that are not in a cluster, this approach is appropriate only if your messaging operations can be divided into independent work groups. However, if producer clients must produce messages to be consumed by consumer clients connected to remote brokers, then brokers must work collectively, as part of a broker cluster, to achieve horizontal scaling.

In a broker cluster, each broker is connected to every other broker in the cluster. Brokers can reside on the same host, but more often are distributed across a network. Each broker can route messages from producers to which it is directly connected to consumers that are connected to remote brokers in the cluster.

Note – If you are using the point-to-point domain, you can scale the consumer side by allowing multiple consumers to access a queue. This is a Message Queue feature (the JMS specification defines messaging behavior in the case of only one consumer accessing a queue). When multiple consumers access a queue, the load-balancing among them takes into account each consumer's capacity and message processing rate.

Message Service Availability

In addition to providing for message service scalability, broker clusters also provide for message service availability. If one broker in a cluster fails, then other brokers in the cluster are available to continue to provide messaging services to client applications.

Message Queue supports two clustering models that provide different degrees of availability:

- **Conventional broker clusters.** A conventional broker cluster provides *message service availability*. When a broker or a connection fails, clients connected to the failed broker reconnect to another broker in the cluster. However, messages and state information stored in the failed broker cannot be recovered until the failed broker is brought back online. This can result in an interruption of message delivery.
- **Enhanced broker clusters.** An enhanced broker cluster provides *data availability* in addition to message service availability. When a broker or a connection fails, another broker takes over the pending work of the failed broker. The failover broker has access to the failed broker's messages and state information. Clients connected to the failed broker reconnect to the failover broker. In an enhanced cluster, as compared to a conventional cluster, a failure results in no interruption of message delivery.

Note – You can also achieve data availability in a conventional cluster by using Sun Cluster software. Sun Cluster software replicates broker data and provides for a hot standby broker to take over the pending work of a failed broker. For details, see the documentation for Sun Cluster Data Service Agent for Message Queue.

Message Queue as an Enabling Technology

The Java Platform, Enterprise Edition (Java EE) is a specification for a distributed component model in a Java programming environment. One of the requirements of the Java EE platform is that distributed components be able to interact with one another through reliable, asynchronous message exchange. This capacity is furnished by a JMS provider, which can play two roles: it can be used to provide a service and it can support message-driven beans (MDB), a specialized type of Enterprise Java Bean (EJB) component that can consume JMS message.

A Java EE-compliant application server must use a resource adapter furnished by a given JMS provider to use the functionality of that provider. Message Queue provides such a resource adapter. Using the support of a plugged in JMS provider, Java EE components, including

MDBs, deployed and running in the application server environment can exchange JMS messages among themselves and with external JMS components. This provides a powerful integration capability for distributed components.

For information on the Message Queue resource adapter, see [Chapter 5, “Message Queue and Java EE”](#)

Message Queue Feature Summary

Message Queue has capabilities and features that far exceed the requirements of the JMS specification and JMS API. These features enable Message Queue to integrate systems consisting of large numbers of distributed components exchanging many thousands of messages in round-the-clock, mission-critical operations.

The following enterprise-strength features, which are listed alphabetically in [Appendix B, “Message Queue Features,”](#) can be divided into the quality-of-service categories below:

Integration Support

- Multiple connection services, including HTTP connections and secure connections
- Java EE resource adapters
- SOAP support
- Schema validation of XML messages
- C client support, including support for distributed transactions
- LDAP server support

Security

- Authentication
- Authorization, including JAAS-based authentication
- Secure connections, including encryption

Scalability

- Broker clusters
- Queue delivery to multiple consumers
- Thread management
- Multiple destinations for a publishers or subscriber

Availability

- Broker clusters, including conventional clusters and enhanced clusters
- Connection ping for health checks
- Automatic reconnect
- Connection event notification

Performance

- Tunable performance
- Memory resource management
- Message flow control
- Configurable physical destinations
- Message compression

Serviceability

- Administration tools
- Message-based monitoring API
- JMX-based administration
- Java ES Monitoring Framework support
- Client runtime logging
- Dead message queue
- Broker configurations
- Configurable persistence
- Support for Sun Connection Registration

Client Programming Model

This chapter describes the basics of Message Queue client programming. It covers the following topics:

- “Messaging Domains” on page 39
- “Programming Objects” on page 45
- “Producing a Message” on page 51
- “Consuming a Message” on page 52
- “The Request-Reply Pattern” on page 53
- “Reliable Message Delivery” on page 55
- “A Message’s Journey Through the System” on page 58
- “Java and C Clients” on page 61

This chapter focuses on the design and implementation of Java clients. By and large, C client design roughly parallels Java client design. The final section of this chapter summarizes the differences between Java and C clients. For a detailed discussion of programming Message Queue clients, see *Sun Java System Message Queue 4.3 Developer’s Guide for Java Clients* and *Sun Java System Message Queue 4.3 Developer’s Guide for C Clients*.

Messaging Domains

Messaging middleware allows components and applications to communicate by producing and consuming messages. The JMS API defines two patterns or *messaging domains* that govern this communication: *point-to-point messaging* and *publish/subscribe messaging*. The JMS API is organized to support these patterns. The basic JMS objects: connections, sessions, producers, consumers, destinations, and messages are used to specify messaging behavior in both domains.

Point-To-Point Messaging

In the point-to-point domain, message producers are called *senders* and consumers are called *receivers*. They exchange messages by means of a destination called a *queue*: senders *produce*

messages to a queue; receivers *consume* messages from a queue. What distinguishes point-to-point messaging is that a message can be consumed by only one consumer.

Figure 2–1 shows the simplest messaging operation in the point-to-point domain. MyQueueSender sends Msg1 to the queue destination MyQueue1. Then, MyQueueReceiver obtains the message from MyQueue1.

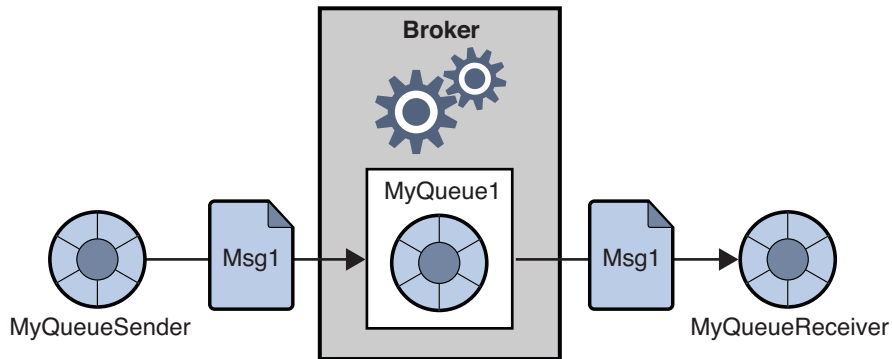


FIGURE 2-1 Simple Point-to-Point Messaging

Figure 2–2 shows a more complex picture of point-to-point messaging to illustrate the possibilities offered by this domain. Two senders, MyQSender1 and MyQSender2, use the same connection to send messages to MyQueue1. MyQSender3 uses an additional connection to send messages to MyQueue1. On the receiving side, MyQReceiver1 consumes messages from MyQueue1, and MyQReceiver2 and MyQReceiver3, share a connection in order to consume messages from MyQueue1.

Note – Support for multiple-consumer queues is a Message Queue feature (the JMS specification defines messaging behavior in the case of only one consumer accessing a queue). When multiple consumers access a queue, the load-balancing among them takes into account each consumer’s capacity and message processing rate.

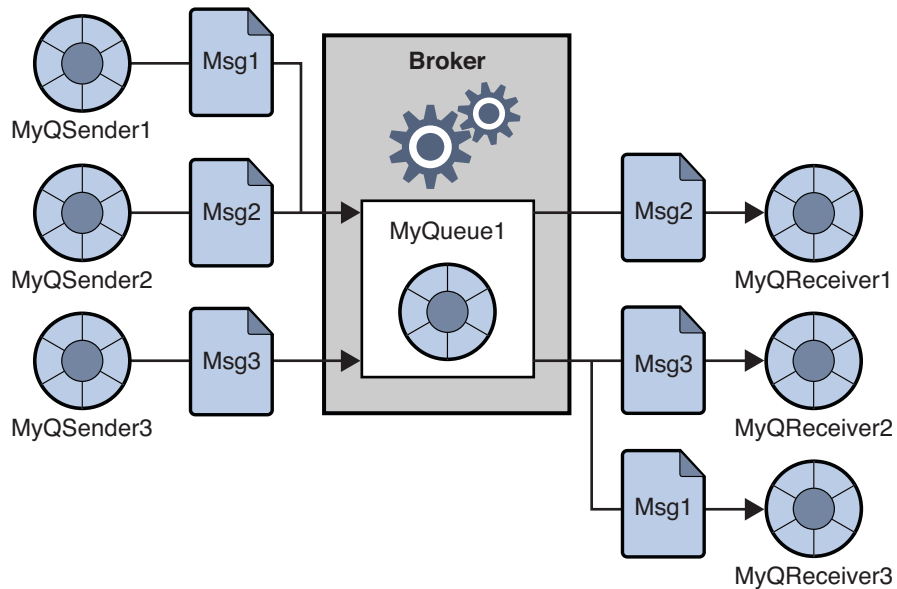


FIGURE 2-2 Complex Point-to-Point Messaging

This more complex picture exemplifies a number of additional points about point-to-point messaging.

- More than one sender can produce and send messages to a queue. Senders can share a connection or use different connections, but they can all access the same queue.
- More than one receiver can consume messages from a queue, but each message can be consumed by only one receiver. Thus Msg1, Msg2, and Msg3 are consumed by different receivers. (This is a Message Queue extension.)
- Receivers can share a connection or use different connections, but they can all access the same queue. (This is a Message Queue extension.)
- Senders and receivers have no timing dependencies: the receiver can consume a message whether or not it was running when the sender produced and sent the message.
- Messages are placed in a queue in the order they are produced, but the order in which they are consumed depends on factors such as message expiration date, message priority, whether a selector is used in consuming messages, and the relative message processing rate of the consumers.
- Senders and receivers can be added and deleted dynamically at runtime, thus allowing the messaging system to expand or contract as needed.

The point-to-point domain offers a number of advantages:

- Messages destined for a queue are always retained, even if there are no receivers.

- Java clients can use a *queue browser* object to inspect the contents of a queue. They can then consume messages based on the information gained from this inspection. That is, although the consumption model is normally FIFO (first in, first out), receivers can consume messages that are not at the head of the queue by using message selectors. Administrative clients can also use the queue browser to monitor the contents of a queue.
- The fact that multiple receivers can consume messages from the same queue allows you to use load-balancing to scale message consumption if the order in which messages are received is not important.

Publish/Subscribe Messaging

In the publish/subscribe domain, message producers are called *publishers* and message consumers are called *subscribers*. They exchange messages by means of a destination called a *topic*: publishers produce messages to a topic; subscribers *subscribe* to a topic and *consume* messages from a topic.

Figure 2–3 shows a simple messaging operation in the publish/subscribe domain. MyTopicPublisher publishes Msg1 to the destination MyTopic. Then, MyTopicSubscriber1 and MyTopicSubscriber2 each receive a copy of Msg1 from MyTopic.

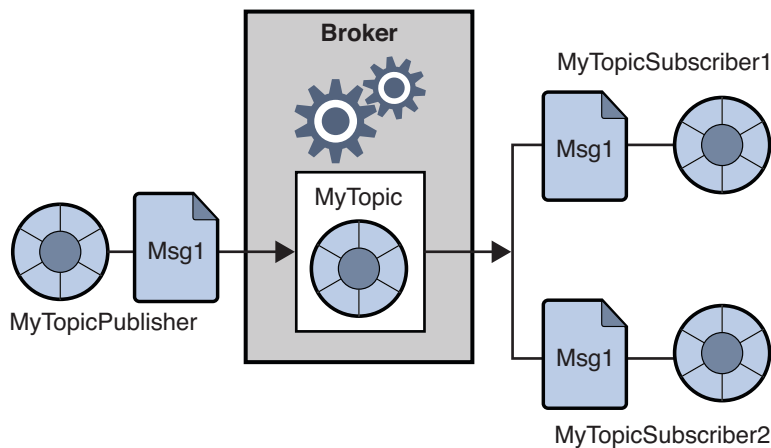


FIGURE 2–3 Simple Publish/Subscribe Messaging

While the publish/subscribe model does not require that there be more than one subscriber, two subscribers are shown in the figure to emphasize the fact that this domain allows you to broadcast messages. All subscribers to a topic get a copy of any message published to that topic.

Subscribers can be *durable* or *non-durable* . If a durable subscriber becomes inactive, the broker retains messages for it until the subscriber becomes active and consumes the messages. If a non-durable subscriber becomes inactive, the broker does not retain messages for it.

Figure 2–4 shows a more complex picture of publish/subscribe messaging to illustrate the possibilities offered by this domain. Several producers publish messages to the `Topic1` destination. Several subscribers consume messages from the `Topic1` destination. Unless, a subscriber is using a selector to filter messages, each subscriber gets all the messages published to the topic to which it is subscribed. In Figure 2–4, `MyTSubscriber2` has filtered out `Msg2`.

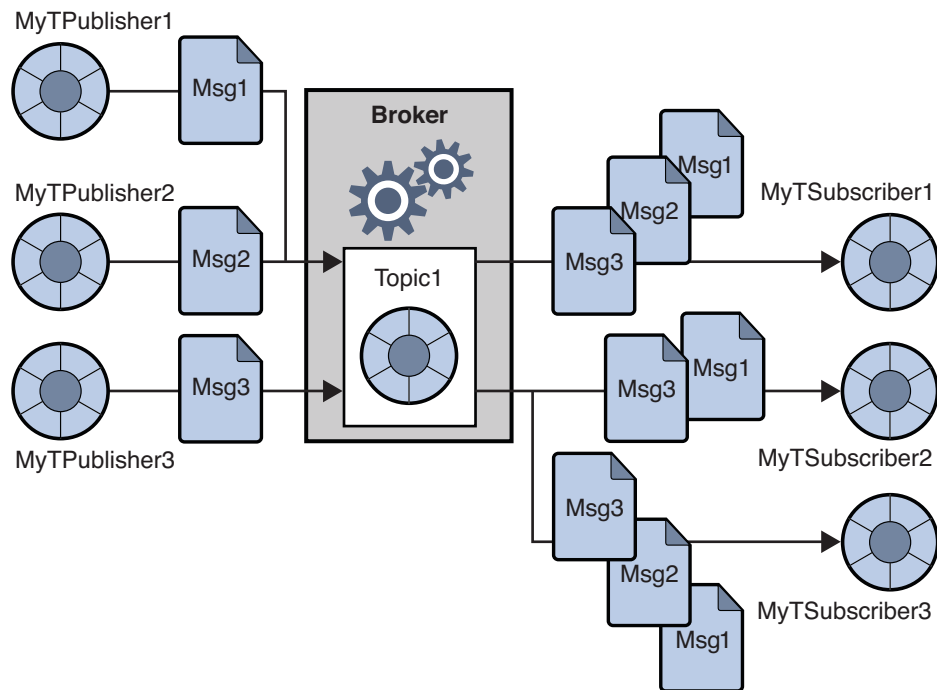


FIGURE 2–4 Complex Publish/Subscribe Messaging

This more complex picture exemplifies a number of additional points about publish/subscribe messaging.

- More than one publisher can publish messages to a topic. Publishers can share a connection or use different connections, but they can all access the same topic.
- More than one subscriber can consume messages from a topic. Subscribers consume all messages published to a topic unless they use selectors to filter out messages or the messages expire before they are consumed.

- Subscribers can share a connection or use different connections, but they can all access the same topic.
- For durable subscribers, the broker retains messages for the subscribers while these subscribers are inactive.
- Messages are placed in a topic in the order they are produced, but the order in which they are consumed depends on factors such as message expiration date, message priority, and whether a selector is used in consuming messages.
- Publishers and subscribers have a timing dependency: a topic subscriber can consume only messages published after the subscriber has subscribed to the topic.
- Publishers and subscribers can be added and deleted dynamically at runtime, thus allowing the messaging system to expand or contract as needed.

The main advantage of the publish/subscribe model is that it allows messages to be broadcast to multiple subscribers.

Domain-Specific and Unified APIs

The JMS API defines interfaces and classes that you can use to implement either of the point-to-point or the publish/subscribe domains. These are the *domain-specific* API's shown in columns 2 and 3 of [Table 2-1](#). The JMS API defines an additional *unified* domain, which allows you to program a generic messaging client. The behavior of such a client is determined by the type of the destination to which it produces messages and from which it consumes messages. If the destination is a queue, messaging will behave according to the point-to-point pattern; if the destination is a topic, messaging will behave according to the publish/subscribe pattern.

TABLE 2-1 JMS Programming Domains and Objects

Base Type(Unified Domain)	Point-to-Point Domain	Publish/Subscribe Domain
Destination (Queue or Topic)	Queue	Topic
ConnectionFactory	QueueConnectionFactory	TopicConnectionFactory
Connection	QueueConnection	TopicConnection
Session	QueueSession	TopicSession
MessageProducer	QueueSender	TopicPublisher
MessageConsumer	QueueReceiver	TopicSubscriber

The unified domain was introduced with JMS version 1.1. The domain-specific API also provides a clean programming interface that prevents certain types of programming errors: for example, creating a durable subscriber for a queue destination. However, the domain-specific APIs have the disadvantage that you cannot combine point-to-point and publish/subscribe

operations in the same transaction or in the same session. If you need to do that, you should choose the unified domain API. See [“The Request-Reply Pattern” on page 53](#) for an example of combining the two domains.

Programming Objects

The objects used to implement JMS messaging remain essentially the same across programming domains: connection factories, connections, sessions, producers, consumers, messages, and destinations. These objects are shown in [Figure 2–5](#). The figure shows, from the top down, how objects are derived, starting with the connection factory object.

Two of the objects, connection factories and destinations, are shown to reside in an object store. This is to underline the fact that these objects are normally created, configured, and managed as administered objects. We assume that connection factories and destinations are created administratively (rather than programmatically) throughout this chapter.

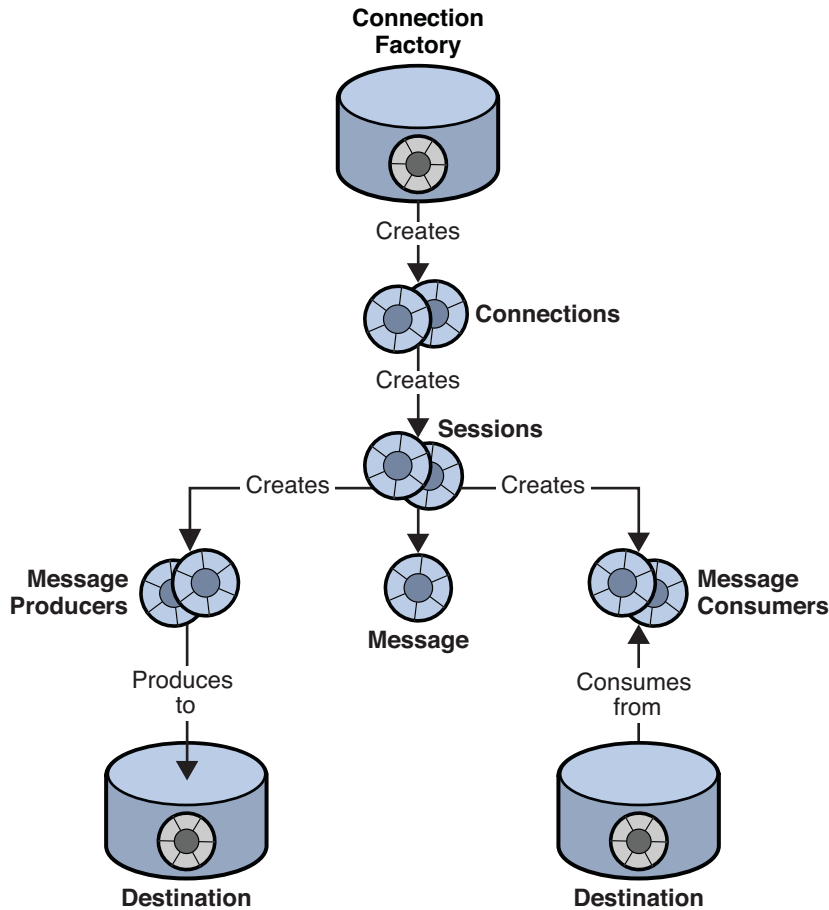


FIGURE 2-5 JMS Programming Objects

Table 2-2 summarizes the steps required to send and receive messages. Note that steps 1 through 6 are the same for senders and receivers.

TABLE 2-2 Producing and Consuming Messages.

Producing a Message	Consuming a Message
1. The administrator creates a connection factory administered object.	
2. The administrator creates a physical destination and the administered object that corresponds to it.	
3. The client obtains a connection factory object through a JNDI lookup.	
4. The client obtains a destination object through a JNDI lookup.	

TABLE 2-2 Producing and Consuming Messages. (Continued)

Producing a Message	Consuming a Message
5. The client creates a connection.	
5. The client sets the ClientID, as necessary.	
6. The client creates a session and sets the properties that govern messaging reliability.	
7. The client creates a message producer for a specified destination.	The client creates a message consumer for a specified destination.
8. The client starts the connection.	
9. The client sends a message.	The client consumes a message.

The following sections describe the objects used by producers and consumers: connections, sessions, messages, and destinations. We will then complete the discussion of JMS objects by describing the production and consumption of messages.

Connection Factories and Connections

A client uses a *connection factory* object (`ConnectionFactory`) to create a *connection*. A connection object (`Connection`) represents a client's active connection to the broker. It uses the underlying Message Queue connection service that is either started by default or is explicitly started by the administrator for this client.

Both allocation of communication resources and authentication of the client take place when a connection is created. It is a relatively heavyweight object, and most clients do all their messaging with a single connection. Connections support concurrent use: any number of producers and consumers can share a connection.

When you create a connection factory, you can configure the behavior of all connections derived from it by setting its properties. For Message Queue, these specify the following information:

- The name of the host on which the broker resides, the connection service desired, and the port through which the client is to access that service.
- How automatic reconnection to the broker should be handled if the connection fails. This feature reconnects the client to the same (or, in a broker cluster, to a different broker) if a connection is lost.
- The ID of any client that needs the broker to track its durable subscription.
- The default name and password of any user attempting the connection. This information is used to authenticate the user and authorize operations if a password is not specified at connection time.

- Whether broker acknowledgements should be suppressed for any clients that are not concerned with reliability.
- How to manage the flow of control and payload messages between the broker and the client runtime.
- How queue browsing should be handled (Java clients only).
- Whether certain message header fields should be overridden.

It is possible to override connection factory properties from the command line used to start the client application. It is also possible to override properties for any given connection by explicitly setting properties for that connection.

You can use a connection object to create *session* objects, to set up an exception listener, or to obtain JMS version and JMS provider information.

Sessions

If the connection represents a communication channel between the client and the broker, a session marks a single conversation between them. Mainly, you use a session object to create messages, message producers, and message consumers. When you create a session, you configure reliable delivery through a number of *acknowledgement* options or through transactions. For more information, see [“Reliable Message Delivery” on page 55](#).

According to the JMS specification, a session is a single-threaded context for producing and consuming messages. You can create multiple message producers and consumers for a single session, but you are restricted to using them serially. The threading implementation varies slightly for Java and C clients. Consult the appropriate developer’s guide for additional information about threading implementation and restrictions.

You can also use a session object to do the following:

- Create and configure destinations for those clients that do not use administered objects to obtain references to existing destinations.
- Create and configure temporary topics and queues; these are used as part of the request-reply pattern. See [“The Request-Reply Pattern” on page 53](#).
- Support transaction processing.
- Define a serial order for producing or consuming messages.
- Serialize the execution of message listeners for asynchronous consumers (see [“Consuming a Message” on page 52](#)).
- Create queue browsers (Java clients only).
- Define when messages are considered processed.

Messages

A message is composed of three parts: a header, properties, and a body. You must understand this structure in order to compose a message properly and to configure certain messaging behaviors.

Message Header

A header is required of every JMS message. The header contains ten predefined fields, which are listed and described in [Table 2-3](#).

TABLE 2-3 JMS-Defined Message Header

Header Field	Description	Set By
JMSDestination	Specifies the name of the destination to which the message is sent.	JMS provider
JMSDeliveryMode	Specifies whether the message is persistent.	Client, per producer or per individual message produced.
JMSExpiration	Specifies the time when the message will expire.	Client, per producer or per individual message produced..
JMSPriority	Specifies the priority of the message within a 0 (low) to 9 (high) range.	Client, per producer or per individual message produced.
JMSMessageID	Specifies a unique ID for the message within the context of a JMS provider installation.	JMS provider
JMSRedelivered	Specifies whether the message has already been delivered but not acknowledged.	JMS provider
JMSTimestamp	Specifies the time when the JMS provider received the message.	JMS provider
JMSCorrelationID	A value that allows a client to define a correspondence between two messages.	Client, if needed
JMSReplyTo	Specifies a destination where the consumer should send a reply.	Client, if needed
JMSType	A value that can be evaluated by a message selector.	Client, if needed

As you can see from reading through this table, message header fields serve a variety of purposes: identifying a message, configuring the routing of messages, providing information about message handling, and so on.

One of the most important fields, `JMSDeliveryMode`, determines the reliability of message delivery. This field indicates whether a message is persistent.

- *Persistent messages.* are guaranteed to be delivered and successfully consumed exactly once. Persistent messages are not lost if the message service fails.
- *Non-persistent messages* are guaranteed to be delivered at most once. Non-persistent messages can be lost if the message service fails.

Some message header fields are set by the JMS provider (the Message Queue broker and/or client runtime) and others are set by the client. Message producers may need to configure header values to obtain certain messaging behaviors; message consumers may need to read header values in order to understand how the message was routed and what further processing it might need.

Three of the header fields (`JMSDeliveryMode`, `JMSExpiration`, and `JMSPriority`) can be set at two different levels:

- For all messages produced by a specific message producer.
- For each message when it is produced.

If these fields are set at more than one level, values set when producing a message override those set for the message's producer.

Names of constant used for message header fields vary with the language implementation. See [Sun Java System Message Queue 4.3 Developer's Guide for Java Clients](#) or [Sun Java System Message Queue 4.3 Developer's Guide for C Clients](#) for more information.

Message Properties

A message can also include optional header fields, called properties, specified as property name and property value pairs. Properties allow clients and providers to extend the message header and can contain any information that the client or the JMS provider finds useful to identify and process a message. Message properties allow a consuming client to ask that only those messages be delivered which fit a given criteria. For instance, a consuming client might indicate an interest for payroll messages concerning part-time employees located in New Jersey. The JMS provider will not deliver messages that do not meet the specified criteria.

The JMS specification defines nine standard properties. Some of these are set by the client and some by the JMS provider. Their names begin with the reserved characters "JMSX." The client or the JMS provider can use these properties to determine who sent a message, the identity of the application sending a message, the state of the message, how often and when it was delivered, transaction identification, and so forth. These properties are useful to the JMS provider in routing messages and in providing diagnostic information.

Message Queue defines a number of additional message properties. These properties are used to identify compressed messages and how messages should be handled if they cannot be delivered. For more information see ["Managing Message Size" in Sun Java System Message Queue 4.3 Developer's Guide for Java Clients](#).

Message Body

The message body contains the data that clients want to exchange.

The JMS message body type determines what the body may contain and how it should be processed by the consumer, as specified in [Table 2-4](#). The Session object includes a create method for each type of message body.

TABLE 2-4 Message Body Types

Message Body Type	Description
StreamMessage	A message whose body contains a stream of Java primitive values. It is filled and read sequentially.
MapMessage	A message whose body contains a set of name-value pairs. The order of entries is not defined.
TextMessage	A message whose body contains a Java string, for example an XML message.
ObjectMessage	A message whose body contains a serialized Java object.
BytesMessage	A message whose body contains a stream of uninterpreted bytes.
Message	A message that contains a header and properties but no body.

Java clients can set a property to have the client runtime compress the body of a message being produced. The Message Queue runtime on the consumer side decompresses the message before delivering it.

Producing a Message

Messages are sent or published by a message producer, within the context of a connection and session. Producing a message is fairly straightforward: a client uses a message producer object (MessageProducer) to send messages to a physical destination, represented in the API by a destination object.

When you create the producer, you can specify a default destination that all the producer's messages are sent to. You can also specify default values for the message header fields that govern persistence, priority, and time-to-live. These defaults are then used by all messages issuing from that producer unless you override them by specifying an alternate destination when sending the message or by setting alternate values for the header fields for a given message.

The message producer can also implement a request-reply pattern by setting the JMSReplyTo message header field. For more information, see [“The Request-Reply Pattern” on page 53](#).

In addition, Message Queue producers can specify symbolic topic destination names that use wildcard characters. Messages issued from such wildcard producers are sent to all destinations that match the symbolic destination name. See [“Supported Topic Destination Names” in Sun Java System Message Queue 4.3 Administration Guide](#).

Consuming a Message

Messages are received by a message consumer, within the context of a connection and session. A client uses a message consumer object (`MessageConsumer`) to receive messages from a specified physical destination, represented in the API as a destination object.

When you create a consumer, you specify the destination from which it consumes messages.

Three factors affect how the broker delivers messages to a consumer:

- Whether consumption is *synchronous* or *asynchronous*
- Whether a selector is used to filter incoming messages
- If messages are consumed from a topic destination, whether the subscriber is durable

These factors are described in the following sections.

Another factor that affects message delivery, the degree of reliability required by the messaging application, is described in [“Reliable Message Delivery” on page 55](#).

In addition, Message Queue consumers can specify symbolic topic destination names that use wildcard characters. Messages are delivered to such wildcard consumers from all destinations that match the symbolic destination name. See [“Supported Topic Destination Names” in Sun Java System Message Queue 4.3 Administration Guide](#).

Synchronous and Asynchronous Consumers

A message consumer can support either synchronous or asynchronous consumption of messages.

- **Synchronous consumption** means the consumer explicitly requests a message that has been delivered to the client runtime and then consumes it.

Depending on the method used to request messages, a synchronous consumer can choose to wait (indefinitely) until a message is delivered to the client runtime, to wait a specified amount of time for a message, or to return immediately if there is no message available to be consumed (messages that were successfully produced but which the broker has not finished processing).

- **Asynchronous consumption** means that the message is automatically handed off to a message listener object (`MessageListener`) that has been registered with the consumer. The client consumes the message when a session thread invokes the `onMessage()` method of the message listener object.

Using Selectors to Filter Messages

A message consumer can use a message selector to have the message service deliver only those messages whose properties (see “[Message Properties](#)” on page 50) match specific selection criteria. You specify this criteria when you create the consumer.

Selectors use an SQL-like syntax to match against message properties. For example,

```
color = "red"  
size > 10
```

Java clients can also specify selectors when browsing a queue; this allows you to see which selected messages are waiting to be consumed.

Using Durable Subscribers

A durable subscriber is one for which the broker retains messages even when the subscriber becomes inactive.

Because the broker must maintain state for the subscriber and resume delivery of messages when the subscriber is reactivated, the broker must be able to identify a given subscriber throughout its comings and goings. The subscriber’s identity is constructed from the `ClientID` property of the connection that created it and the subscriber name specified when you create the subscriber.

The Request-Reply Pattern

You can combine producers and consumers in the same connection (or even session when using the unified API). In addition, the JMS API allows you to implement a request-reply pattern for your messaging operations by using *temporary destinations*. Temporary destinations are explicitly created and destroyed programmatically. They are maintained by the broker only for the duration of the connection in which they are created.

To set up the request-reply pattern you need to do the following:

1. Programmatically create a temporary destination where the consumer can send replies.
2. In the message to be sent, set the `JMSReplyTo` field of the message header to that temporary destination.

When the message consumer processes the message, it examines the `JMSReplyTo` field of the message to determine if a reply is required and sends the reply to the specified destination.

The request-reply mechanism saves an administrator the trouble of creating a destination administered object or a physical destination for the reply, and makes it easy for the consumer to respond to the request. This pattern is useful when the producer must be sure that a request message has been handled before proceeding.

Figure 2–6 illustrates a request-reply pattern that sends messages to a topic and receives replies in a temporary queue.

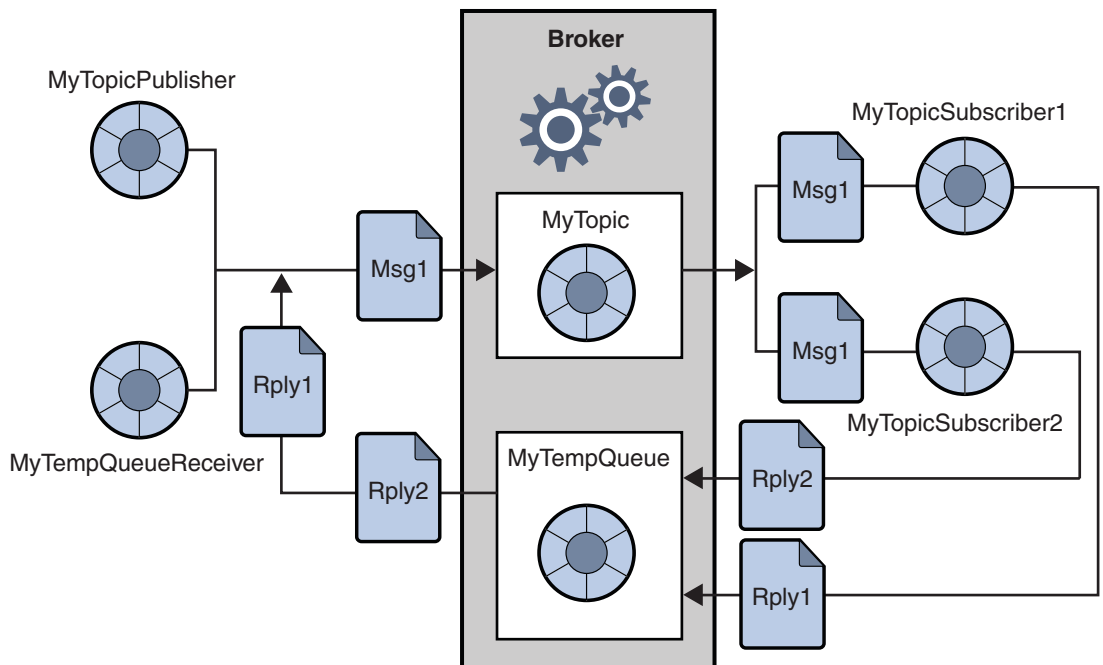


FIGURE 2-6 Request/Reply Pattern

As the figure shows, **MyTopicPublisher** produces **Msg1** to the destination **MyTopic**. **MyTopicSubscriber1** and **MyTopicSubscriber2** consume the message and send a reply to **MyTempQueue**, from which **MyTempQueueReceiver** retrieves it. This pattern might be useful for an application that publishes pricing information to a large number of subscribers and which queues their (reply) orders for sequential processing.

Temporary destinations last only as long as the connection in which they are created. While any producer can produce messages to a temporary destination, the only consumers that can access a temporary destination are those created in the same connection in which the temporary destination was created.

Since the request/reply pattern depends on creating temporary destinations, you should not use this pattern in the following cases:

- If you anticipate that the connection in which the temporary destination was created might terminate before the reply is sent.
- If reply messages need to be persistent.

Reliable Message Delivery

Message delivery occurs in two hops: the first hop takes the message from the producer to a physical destination on the broker; the second hop takes the message from that destination to the consumer. Thus, a message can be lost in one of three ways: on its hop from the producer to the broker, on its hop from the broker to the consumer, and while it's in broker memory (if the broker fails). Reliable delivery guarantees that delivery will not fail in any of these ways.

Two mechanisms are used to ensure reliable delivery:

- The client can use *acknowledgments* or *transactions* to make sure that message production and consumption is successful.
- The broker can store messages in a persistent data store so that if the broker fails before the message is consumed, the broker, upon recovery, can retrieve the stored copy of the message and retry the operation.

The following sections describe these two aspects of ensuring reliability.

Note – Reliable delivery only applies to messages for which the `JMSDeliveryMode` message header field indicates a persistent message.

Acknowledgements

Acknowledgements are messages sent between a client and the message service to ensure reliable delivery of messages. Acknowledgements are used differently for producers and for consumers.

In the case of message production, the broker confirms that it has received the message, placed it in its destination, and stored it persistently. The producer's `send()` method blocks until it receives this broker acknowledgement. Broker acknowledgements are transparent to the client when persistent messages are sent.

In the case of message consumption, the client acknowledges that it has received delivery of a message from a destination and consumed it, before the broker can delete the message from that destination. JMS specifies different client acknowledgement modes that represent different degrees of reliability.

- In the `AUTO_ACKNOWLEDGE` mode, the session automatically acknowledges each message consumed by the client. The session thread blocks, waiting for the broker to confirm that it has processed the client acknowledgement for each consumed message.
- In the `CLIENT_ACKNOWLEDGE` mode, the client explicitly acknowledges after one or more messages have been consumed by calling the `acknowledge()` method of a message object. This causes the session to acknowledge all messages that have been consumed by the session since the previous invocation of the method. The session thread blocks, waiting for the broker to confirm that it has processed the client acknowledgement.

Message Queue extends this mode by providing a method that allows a client to acknowledge receipt of one message only.

- In `DUPS_OK_ACKNOWLEDGE` mode, the session acknowledges after a specified number of messages (default is 10) have been consumed. The session thread does not block waiting for the broker to confirm it has processed the client acknowledgement, because no broker confirmation is required in this mode. Although this mode guarantees that no message will be lost, it does not guarantee that no duplicate messages will be received, hence its name: `DUPS_OK`.

For clients that are more concerned with performance than reliability, the Message Queue service extends the JMS API by providing a `NO_ACKNOWLEDGE` mode. In this mode, the broker does not track client acknowledgements, so there is no guarantee that a message has been successfully processed by the consuming client. Choosing this mode may give you better performance for non-persistent messages that are sent to non-durable subscribers.

Transactions

A *transaction* is a way of grouping the production and/or consumption of one or more messages into an atomic unit. The client and broker acknowledgement process described above applies, as well, to transactions. In this case, however, when a transaction commits, it implicitly performs the relevant broker or client acknowledgements. You cannot have an end-to-end transaction encompassing both the production and consumption of the same message.

The JMS specification supports both local and distributed transactions, as described below.

Local Transactions

A session can be configured as *transacted*, and the JMS API provides methods for initiating, committing, or rolling back *local* transactions.

As messages are produced or consumed within a local transaction, the message service tracks the various sends and receives, completing these operations only when the JMS client issues a call to commit the transaction. If a particular send or receive operation within the transaction fails, an exception is raised. The client code can handle the exception by ignoring it, retrying the operation, or rolling back the entire transaction. When a transaction is committed, all its operations are completed. When a transaction is rolled back, all successful operations are cancelled.

The scope of a local transaction is always a single session. That is, one or more producer or consumer operations performed in the context of a single session can be grouped into a single local transaction.

Distributed Transactions

The JMS specification also supports *distributed* transactions. That is, the production and consumption of messages can be part of a larger, distributed transaction that includes operations involving other resource managers, such as database systems. A distributed transaction manager, like the one supplied by the Sun Java System Application Server, must be available to support distributed transactions.

In distributed transactions, the distributed transaction manager tracks and manages operations performed by multiple resource managers (such as a message service and a database manager) using a two-phase commit protocol defined in the Java Transaction API (JTA), XA Resource API Specification. In the Java world, interaction between resource managers and a distributed transaction manager are described in the JTA specification.

Support for distributed transactions means that messaging clients can participate in distributed transactions through the `XAResource` interface defined by JTA. This interface defines a number of methods used in implementing two-phase commit. While the API calls are made on the client side, the JMS message service tracks the various send and receive operations within the distributed transaction, tracks the transactional state, and completes the messaging operations only in coordination with a distributed transaction manager—provided by a Java Transaction Service (JTS). As with local transactions, the client can handle exceptions by ignoring them, retrying operations, or rolling back an entire distributed transaction.

Note – Message Queue supports distributed transactions only when it is used as a JMS provider in a Java Enterprise Edition (Java EE) application server. For additional information on how to use distributed transactions, please consult the Java EE documentation furnished by your application server provider.

Persistent Storage

The other aspect of reliability is ensuring that the broker does not lose persistent messages before they are delivered to consumers. This means that when a message reaches its physical

destination, the broker must place it in a persistent *data store*. If the broker fails for any reason, it can recover the message later and deliver it to the appropriate consumers.

The broker must also persistently store durable subscriptions. Otherwise, in case of failure, it would not be able to deliver messages to durable subscribers who become active after a message has arrived in a topic destination.

Messaging applications that want to guarantee message delivery must specify messages as persistent and deliver them either to topic destinations with durable subscribers or to queue destinations.

[Chapter 3, “The Message Queue Broker,”](#) describes the default message store supplied by the Message Queue service and how an administrator can set up and configure an alternate store.

A Message's Journey Through the System

By way of summarizing the material presented so far, this section describes how a message is delivered using the Message Queue service, from a producer to a consumer. In order to paint a complete picture, a further detail is needed: The messages handled by the system in the course of delivery fall into two categories:

- **Payload messages**, which are the messages sent by producers to consumers.
- **Control messages**, which are private messages passed between the broker and the client runtime to ensure that payload messages are successfully delivered and to control the flow of messages across a connection.

Message delivery is illustrated in [Figure 2-7](#).

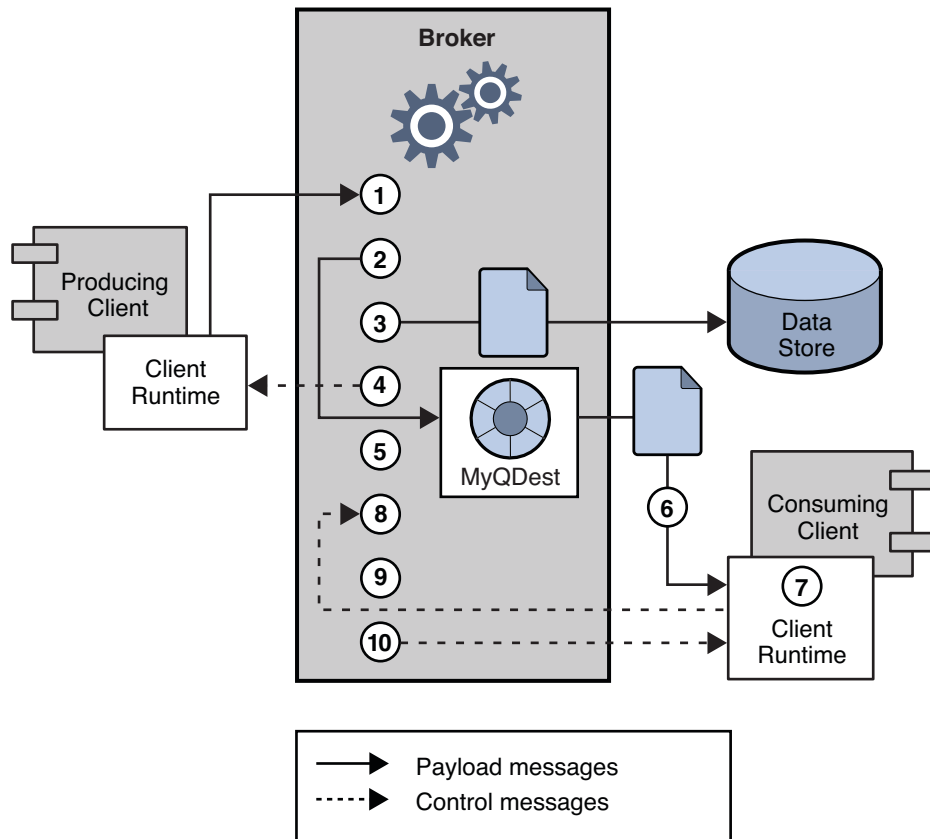


FIGURE 2-7 Message Delivery Steps

Message delivery steps for a persistent, reliably delivered message are as follows:

Message Production

1. The client runtime delivers the message over the connection from the message producer to the broker.

Message Handling and Routing

2. The broker reads the message from the connection and places it in the appropriate destination.

3. The broker places the (persistent) message in the data store.

4. The broker confirms receipt of the message to the client runtime of the message producer.

5. The broker determines the routing for the message.
6. The broker writes out the message from its destination to the appropriate connection, tagging it with a unique identifier for the consumer.

Message Consumption

7. The message consumer's client runtime delivers the message from the connection to the message consumer.
8. The message consumer's client runtime acknowledges consumption of the message to the broker.

Message End-of-Life

9. The broker processes the client acknowledgement, and deletes the (persistent) message when all acknowledgements have been received.
10. The broker confirms to the consumer's client runtime that the client acknowledgement has been processed.

The broker can discard a message before it is consumed if the administrator deletes the message from a destination or if the administrator removes or redefines a durable subscriber, thereby causing a message in a topic destination to be removed without it being delivered. The broker can also discard a message before it is consumed if the message has expired, if memory limits have been reached, or if delivery fails due to a client exception. If you don't want a message discarded in these situations, you can have the broker store the messages in a special destination called the *dead message queue*. Storing messages in the dead message queue allows you to troubleshoot the system and recover messages in any of these situations.

Design and Performance

The behavior of a Message Queue application depends on many factors: client design, connection configuration, broker configuration, broker tuning, and resource management. Some of these are the responsibility of the application developer; others are the concern of the Message Queue administrator.

In the best of possible worlds the developer should be aware of how the Message Queue service can support and scale the application design, and the administrator should be aware of the application's design goals when it comes time to tune the application. Messaging behavior can be optimized through redesign as well as through careful monitoring and tuning. Thus, a key aspect of creating a good Message Queue application is for the developer and the administrator to understand what can be realized at each stage of the application life cycle and to share information about desired and observed behavior.

Chapter 3, “The Message Queue Broker,” explains how you can use the Message Queue service to support, manage, and tune messaging performance.

Working with SOAP Messages

Simple Object Access Protocol (SOAP) allows for the exchange of structured data (specified by an XML schema) between two peers in a distributed environment. Sun’s implementation of SOAP does not currently support reliable SOAP messaging nor does it support publishing SOAP messages. However, you can use the Message Queue service to achieve reliable SOAP messaging and, if desired, to publish SOAP messages. The Message Queue service does not deliver SOAP messages directly, but it allows you to wrap SOAP messages into JMS messages, to produce and consume these messages like normal JMS messages, and to extract the SOAP message from the JMS message.

Message Queue provides SOAP support through two packages: `javax.xml.messaging` and `com.sun.messaging.xml`. You can use classes implemented in these libraries to receive a SOAP message, to wrap a SOAP message as a JMS message, and to extract a SOAP message from a JMS message. The Java EE platform provides the package `java.xml.soap`, which you can use to assemble and disassemble a SOAP message.

To achieve reliable SOAP messaging you need to implement the following sequence of actions:

1. Use the Message Transformer utility to convert the SOAP message into a JMS message.
2. Send the JMS message to the desired destination.
3. Consume the JMS message asynchronously or synchronously.
4. After the JMS message is consumed, use the Message Transformer utility to convert it into a SOAP message.
5. Use the SOAP with Attachments API for Java (SAAJ) API (defined in the `java.xml.soap` package) to disassemble the SOAP message.

For detailed information about SOAP messages and their processing, see [Chapter 5, “Working with SOAP Messages,”](#) in *Sun Java System Message Queue 4.3 Developer’s Guide for Java Clients*.

Java and C Clients

Message Queue provides a C API to its messaging services to enable legacy C applications and C++ applications to participate in JMS-based messaging.

The JMS programming model is the foundation for the design of a Message Queue C client. [Sun Java System Message Queue 4.3 Developer’s Guide for C Clients](#) explains how this model is implemented by the C data types and functions.

Like the Java interface, the C interface supports the following features:

- Publish/subscribe and point-to-point connections
- Synchronous and asynchronous receives
- CLIENT, AUTO, and DUPS_OK acknowledgement modes
- Local and distributed transactions
- Session recover
- Temporary topics and queues
- Message selectors

However, it is important to understand that the Java Message Service specification is a standard for *Java* clients only; thus the C Message Queue API is specific to the Message Queue provider and cannot be used with other JMS providers. A messaging application that includes a C client cannot be handled by another JMS provider.

The C interface, does not support the following features:

- The use of administered objects
- Map, stream, or object message types
- Consumer-based flow control
- Queue browsers
- JMS application server facilities (Connection Consumer, distributed transactions)
- Receiving or sending SOAP messages
- Receiving or sending compressed JMS messages
- Auto-reconnect or failover, which allows the client runtime to automatically reconnect to a broker if a connection fails
- The NO_ACKNOWLEDGE mode

The Message Queue Broker

This chapter provides a more detailed view of the Message Queue broker, which was introduced in [“The Message Queue Service” on page 31](#). The chapter examines the services provided by the broker, the tools you use to configure these services, and the administrative tasks required to support these services.

The chapter includes the following sections:

- [“Broker Services” on page 63](#)
- [“Administration Tools” on page 76](#)
- [“Administration Tasks” on page 79](#)

Broker Services

[Figure 1–6](#) shows the different elements of the Message Queue service. [Chapter 2, “Client Programming Model,”](#) described the programming model and how clients use the Java and C APIs to interact with the Message Queue client runtime, the part of the message service that is directly accessed by client applications. This chapter focuses on the broker services, the part of the message service that is accessed through administration tools.

The broker is the centerpiece of the Message Queue service shown in [Figure 1–6](#). The broker provides the set of services that enable secure, reliable messaging:

- **Connection services** that manage the physical connections between a broker and its clients that provide transport for incoming and outgoing messages. See [“Connection Services” on page 64](#).
- **Message delivery services** that route and deliver JMS messages as well as control messages used by the message service to support reliable delivery. See [“Message Delivery Services” on page 66](#).
- **Persistence services** that manage the writing of data to persistent storage and its retrieval from persistent storage. See [“Persistence Services” on page 69](#).

- **Security services** that authenticate users connecting to the broker and authorize their actions. See [“Security Services” on page 70](#)
- **Clustering services** that support the grouping of brokers into a cluster to achieve scalability and availability. See [Chapter 4, “Broker Clusters.”](#)
- **Monitoring services** that generate metrics and diagnostic information and write this information to a specified output channel. See [“Monitoring Services” on page 73.](#)

The sections that follow describe each of the broker services. These services are configured by setting broker configuration properties. Broker properties are specified in different configuration files and can also be set using options of the broker startup command. [Chapter 4, “Configuring a Broker,”](#) in *Sun Java System Message Queue 4.3 Administration Guide* describes the broker configuration files and explains the order of precedence by which property values in one configuration file can be used to override values set in a different file. Properties set with the startup command override all other settings.

Connection Services

You use connection-related properties to configure and manage the physical connections between a broker and its clients. As shown in [Figure 1–6](#) both application clients and administration clients can connect to the broker. The JMS specification does not dictate that providers implement any specific wire protocols. Message Queue connection services, used by application clients and administration clients to connect to the broker, are currently layered on top of TCP, TLS, HTTP, or HTTPS protocols. TLS (Transport Layer Security) is a successor to and compatible with SSL (Secure Socket Layer).

There are two general types of connection services:

- **NORMAL:** Services that provide JMS support and allow clients to connect to the broker (`jms`, `ssljms`, `http`, or `https`) and are layered on top of TCP, TLS, HTTP, or HTTPS protocols, respectively. (Services layered on top of HTTP allow messages to pass through firewalls.)
- **ADMIN:** Services that allow administrators to connect to the broker (`admin`, `ssladmin`) and are layered on top of TCP or TLS protocols.

Connection services are available through dedicated ports that can be dynamically assigned by the broker’s *Port Mapper* (see [“Port Mapper Service” on page 65](#)) or statically assigned by the administrator. By default, when you start the broker, the `jms` and `admin` services are up and running. Additionally, you can configure a broker to run any or all of the connection services.

Each connection service is multi-threaded, supporting multiple connections, and each service supports specific authentication and authorization (access control) features. See [“Security Services” on page 70](#) for more information.

Should a connection fail, the Message Queue service can automatically retry connecting the client to the same broker or to a different broker if this feature is enabled. For more information, see the description of the automatic reconnect feature in [Appendix B, “Message Queue Features”](#)

The connections provided by Message Queue connection services can be configured to specify which brokers to connect to, how to handle reconnection, message flow control, and so on. For additional information about how connections can be configured, see [“Connection Factories and Connections” on page 47](#).

Connection configuration can be performed by both administrators and in client application code:

- An administrator creates connection factory administered objects that encapsulate connection behaviors. In addition, an administrator can use broker properties to activate non-default connection services, to assign static ports if required, to configure threading, and to specify a host to connect to if multiple network interfaces are used. An administrator can also specify a ping interval to test whether the client is accessible; this is useful in managing resources.
- Client code can instantiate configuration factory objects and set their attributes to achieve desired connection behaviors. These attributes specify non-default connection services, hosts, ports, a list of brokers to connect to in case reconnection is required, and reconnection behavior. The client can also specify a ping interval to test for failed connections.

A client can connect to the Message Queue service through a firewall. This can be done either by having the firewall administrator open a specific port and then connecting to that (static) port or by using the HTTP or HTTPS service as summarized in [Appendix B, “Message Queue Features.”](#)

Port Mapper Service

Connection services are dynamically assigned a port by a common Port Mapper service that resides at the broker’s main port, 7676. When the Message Queue client runtime sets up a connection with the broker, it first contacts the Port Mapper, requesting a port number for the connection service it has chosen.

You can override the Port Mapper by assigning a *static* port number for the `jms`, `ssljms`, `admin` and `ssladmin` connection services when configuring these services. However, static ports are generally used only in special situations, such as in making connections through a firewall, and are not generally recommended.

Thread Pool Management

Each connection service is multithreaded, supporting multiple connections. The threads needed for these connections are maintained by the broker in a pool. How they are allocated depends on the values you specify for the minimum and maximum thread values, and on the threading model you choose.

You can set broker properties to specify a minimum number and maximum number of threads. As threads are needed by connections, they are added to the thread pool for the service supporting that connection. The minimum specifies the number of threads available to be allocated. When the available threads exceeds this minimum threshold, the system will shut down threads as they become free until the minimum is reached again, thereby saving on memory resources. Under heavy loads, the number of threads might increase until the pool's maximum number is reached; at this point, new connections are rejected until a thread becomes available.

The threading model you choose specifies whether threads are dedicated to a single connection or shared by multiple connections:

- In the dedicated model, each connection to the broker requires two threads: one for incoming messages and one for outgoing messages. This limits the number of possible connections but provides high performance.
- In the shared model, connections are processed by a shared thread when sending or receiving messages. Because each connection does not require dedicated threads, this model increases the number of possible connections, but adds some overhead for thread management and thereby impacts performance.

Message Delivery Services

Once clients are connected to the broker, the routing and delivery of messages can proceed. In this phase, the broker is responsible for creating and managing different types of physical destinations, for ensuring a smooth flow of messages, and for using resources efficiently. The broker properties related to routing and delivery are used by the broker to manage these tasks in a way that suits your application's needs.

Physical Destinations

A physical destination on the broker is a memory location where messages are stored before being delivered to a message consumer. There are four kinds of physical destinations:

- **Admin-created destinations** are created by an administrator using Message Queue administration tools. Admin-created destinations correspond to destination administered objects created by an administrator and accessed by client applications by using a JNDI lookup. Admin-created destinations can also correspond to destination objects created programmatically by a client application. You use Message Queue administration tools to set or update properties for each admin-created destination.

- **Auto-created destinations** are automatically created by the broker whenever a message consumer or producer attempts to access a nonexistent destination. These are typically used during development. You can set a broker property to disallow the creation of such destinations. You set broker properties to configure all auto-create destinations on a particular broker.

An auto-created destination is automatically destroyed by the broker when it is no longer being used: that is, when it has no consumer clients and no longer contains any messages. If a broker restarts, it only recreates this kind of destination if it contains persistent messages.

- **Temporary destinations** are explicitly created and destroyed programmatically by client applications that need a destination at which to receive replies to messages. As their name implies, these destinations are temporary. They are maintained by the broker only for the duration of the connection in which they are created.

Temporary destinations are only stored persistently only if the consumer of the destination is set to automatically reconnect in the event of failure. Otherwise, they are not recreated when a broker is restarted. Nevertheless, temporary destinations are visible to administration tools.

- **The dead message queue** is a specialized destination, created automatically at broker startup and used to store dead messages for diagnostic purposes. You can set properties for the dead message queue using the `imqcmd` utility.

Managing Destinations

Managing a destination involves one or more of the following tasks:

- Creating, pausing, resuming, or destroying a destination
- Listing all destinations on a broker
- Displaying information about the state and properties of a destination
- Displaying metrics information for a destination
- Compacting disk space used to persist messages for a destination
- Updating a physical destination's properties

Management tasks vary with the kind of destination being managed: admin-created, auto-created, temporary, or dead message queue. For example, temporary destinations do not need to be explicitly destroyed; auto created properties are configured using broker configuration properties which apply to all auto-created destinations on that broker.

Configuring Physical Destinations

For optimal performance, you can set properties when creating or updating physical destinations. Properties that can be set include the following:

- The type and name of the destination.
- Individual and aggregate limits for destinations (the maximum number of messages, the maximum number of total bytes, the maximum number of bytes per message, the maximum number of producers).

- What the broker should do when individual or aggregate limits are exceeded.
- The maximum number of messages to be delivered in a single batch.
- Whether deleted messages for a destination should be sent to the dead message queue.
- In the case of a broker cluster, whether a destination should be propagated to other brokers in the cluster.

For a queue destination you can also configure the maximum number of active and back up consumers and you can specify (for broker clusters) whether delivery to a local queue is preferred.

You can also configure the limits and behavior of the dead message queue. Note, however, that default properties for this queue differ from those of a standard queue.

Managing Memory

Destinations can consume significant resources, depending on the number and size of messages they handle and on the number and durability of the consumers that register; therefore, they need to be managed closely to guarantee good messaging service performance and reliability.

You can set properties to prevent a broker from being overwhelmed by incoming messages and to prevent the broker from running out of memory. The broker uses three levels of memory protection to keep the message service operating as resources become scarce: destination limits, system-wide limits, and system memory thresholds. Ideally, if destination limits and system-wide limits are set appropriately, critical system-memory thresholds should never be breached.

Destination Message Limits

You can set destination properties to manage memory and message flow for each destination. For example, you can specify the maximum number of producers allowed for a destination, the maximum number (or size) of messages allowed in a destination, and the maximum size of any single message.

You can also specify how the broker should respond when any such limits are reached: to slow producers, to throw out the oldest messages, to throw out the lowest-priority messages, or to reject the newest messages.

System-Wide Message Limits

You can also use properties to set limits that apply to all destinations on a broker: you can specify the total number of messages and the memory consumed by all messages. If any of the system-wide message limits are reached, the broker rejects new messages.

System Memory Thresholds

Finally, you can use properties to set thresholds at which the broker takes increasingly serious action to prevent memory overload. The action taken depends on the state of memory resources: green (plenty of memory is available), yellow (broker memory is running low), orange (broker is low on memory), red (broker is out of memory). As the broker's memory state progresses from green to red, the broker takes increasingly serious actions:

- It throws out in-memory copies of persistent messages in the data store.
- It throttles back producers of non-persistent messages, eventually stopping the flow of messages into the broker. Persistent message flow is automatically limited by the requirement that each message be acknowledged by the broker.

Persistence Services

For a broker to recover in case of failure, it needs to recreate the state of its message delivery operations. To be able to do this, it must save state information to a data store. When the broker restarts, it uses the saved data to recreate destinations and durable subscriptions, to recover persistent messages, to roll back open transactions, and to recreate its routing table for undelivered messages. It can then resume message delivery.

The Message Queue service supports both file-based and JDBC compliant persistence modules (see [Figure 3-1](#)). File-based persistence is the default.

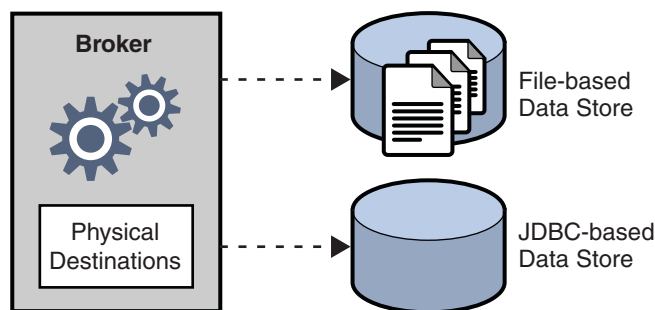


FIGURE 3-1 Persistence Support

File-Based Persistence

File-based persistence is a mechanism that uses individual files to store persistent data. If you use file-based persistence you can set broker properties to do the following:

- Compact the data store to alleviate fragmentation as messages are added and removed.

- Synchronize the in-memory state with the physical storage device on *every* write. This helps eliminate data loss due to system crashes.
- Manage the allocation of messages to data store files and manage the resources needed for file management and storage.

File-based persistence is generally faster than JDBC-based persistence; however, some users prefer the redundancy and administrative control provided by a JDBC-compliant store.

JDBC-Based Persistence

JDBC-Based persistence uses a Java Database Connectivity (JDBC™) interface to connect the broker to a JDBC-compliant data store. To have the broker access a data store through a JDBC driver you must do the following:

- Set JDBC-related broker configuration properties. You use these to specify the JDBC driver used, to authenticate the broker as a JDBC user, to create needed tables, and so on.
- Use the `imqdbmgr` utility to create a data store with the proper schema.

Complete procedures for completing these tasks and related configuration properties are detailed in the [Chapter 4, “Configuring a Broker,”](#) in *Sun Java System Message Queue 4.3 Administration Guide*.

Security Services

The Message Queue service supports authentication and authorization (access control) for each broker instance, and also supports encryption:

- *Authentication* ensures that only verified users can establish a connection to the broker.
- *Authorization* specifies which users or groups have the right to access resources and to perform specific operations.
- *Encryption* protects messages from being tampered with during delivery over a connection.

Authentication and authorization depend upon a repository that contains information about the users of the messaging system—their names, passwords, and *group* memberships. In addition, to authorize specific operations for a user or group, the broker must check an *access control properties file* that specifies which operations a user or group can perform. You are responsible for setting up the information the broker needs to authenticate users and authorize their actions.

[Figure 3–2](#) shows the components needed by the broker to provide authentication and authorization.

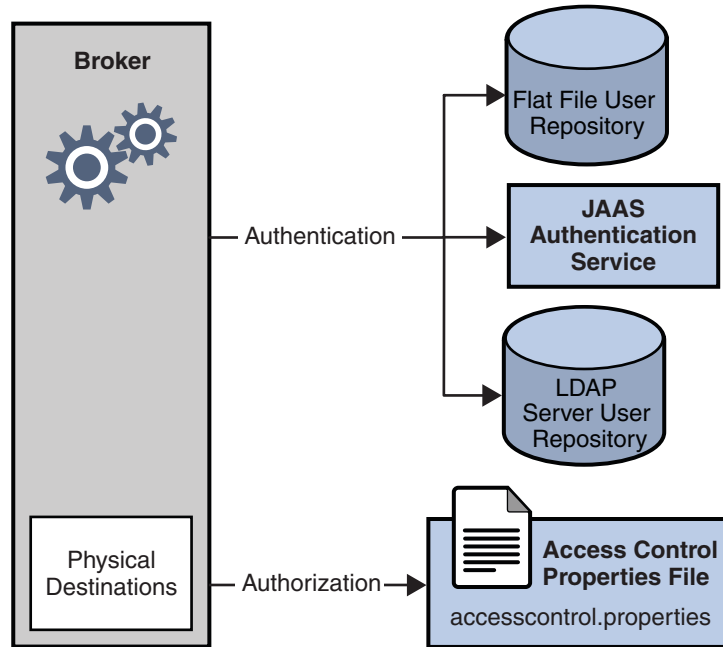


FIGURE 3-2 Security Manager Support

As [Figure 3-2](#) shows, you can store user data in a flat file user repository that is provided with the Message Queue service, you can access an existing LDAP repository, or you can plug in a Java Authentication and Authorization Service (JAAS) service. You set a broker property to indicate your choice.

- If you choose a flat-file repository, you must use the `imqusermgr` utility to manage the repository. This option is easy to use and built-in.
- If you want to use an existing LDAP server, you use the tools provided by the LDAP vendor to populate and manage the user repository. You must also set properties in the broker instance configuration file to enable the broker to query the LDAP server for information about users and groups.

The LDAP option is better if scalability is important or if you need the repository to be shared by different brokers. This might be the case if you are using broker clusters.

- If you want to plug-in an existing JAAS authentication service, you need to set the corresponding properties in the broker instance configuration file.

Authentication and Authorization

When a client requests a connection, the client must supply a user name and password. The broker compares the specified name and password to those stored in the user repository. On transmitting the password from client to broker, the passwords are encoded using either base 64

encoding or message digest (MD5) hashing. MD5 is used for a flat file repository; base 64 is required for LDAP repositories. If using LDAP you may want to use the secure TLS protocol. You can set broker properties to configure the type of encoding used by each connection service separately or to set the encoding on a broker-wide basis.

When a user attempts to perform an operation, the broker checks the user's name and group membership (from the user repository) against those specified for access to that operation (in the access control properties file). The access control properties file specifies permissions to users or groups for the following operations:

- Connecting to a broker
- Accessing destinations: creating a consumer, a producer, or a queue browser for any given destination or all destinations
- Auto-creating destinations

You set broker properties to specify the following information:

- Whether access control is enabled
- The name of the access control file
- How passwords should be encoded
- How long the system should wait for a client to respond to an authentication request from the broker
- Information required by secure connections

JAAS-Based Authentication

In addition to the file-based and LDAP-based built-in authentication mechanisms, Message Queue also supports the Java Authentication and Authorization Service (JAAS), which allows you to plug a variety of services into the broker to authenticate Message Queue clients.

JAAS defines an abstraction layer between an application and an authentication mechanism, allowing the desired mechanism to be plugged in with no disruption or change to application code. For the Message Queue service, the abstraction layer lies between the broker and the authentication provider. By setting a few broker properties, it is possible to plug in any JAAS-compliant authentication service and to upgrade or change this service with no disruption or change to broker code.

The service to be plugged in consists of a LoginModule and of logic that performs the authentication. A JAAS configuration file contains the location of the LoginModule. When the broker starts up it locates this file and uses information in the file to determine which LoginModules it will use to perform the authentication. The fact that the broker plugs in an authentication service is transparent to the client; the client continues to pass authentication information to the broker as before and gains access to broker services if the identifying information (user name, password) is authenticated by the plugged in service.

For complete information about JAAS-based authentication, see [“Using JAAS-Based Authentication” in *Sun Java System Message Queue 4.3 Administration Guide*](#).

Encryption

To encrypt messages sent between clients and broker, you need to use a connection service based on the Secure Socket Layer (SSL) standard. SSL provides security at a connection level by establishing an encrypted connection between an SSL-enabled broker and an SSL-enabled client.

You can set broker properties to specify the security properties of the SSL keystore to be used and the name and location of a password file.

For more information, see [“Message Encryption” in *Sun Java System Message Queue 4.3 Administration Guide*](#)

Monitoring Services

The broker includes components for monitoring and diagnosing application and broker performance. These include the components shown in the following figure:

- Components that generate data: a metrics generator and broker code that logs events.
- A logger component that writes out information to a number of output channels.
- A metrics message producer that sends JMS messages containing metrics information to topic destinations for consumption by JMS monitoring clients.
- A comprehensive set of Java Management Extensions (JMX) MBeans that expose broker resources using the JMX API
- Support for the Java ES Monitoring Framework

The following subsections describe these components.

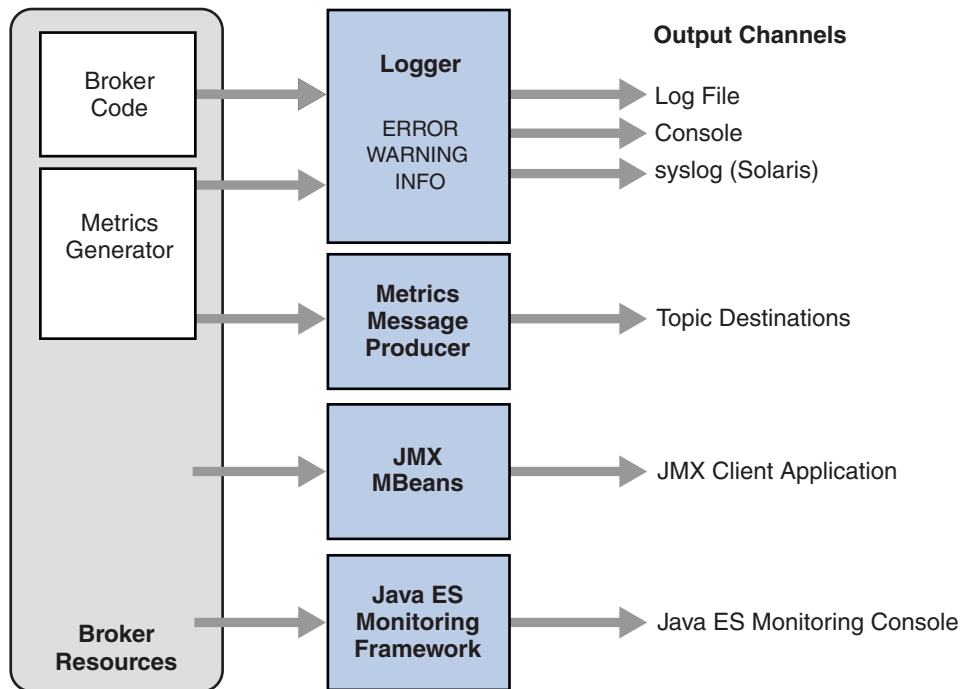


FIGURE 3-3 Monitoring Service Support

Metrics Generator

The metrics generator provides information about broker activity, such as message flow in and out of the broker, the number of messages in broker memory and the memory they consume, the number of open connections, and the number of threads being used.

You can set broker properties to turn the generation of metric data on and off, and to specify how frequently metrics reports are generated.

Logger

The Message Queue logger takes information generated by broker code and the metrics generator and writes that information to standard output (the console), to a log file, and, on Solaris™ platforms, to the `syslog` daemon process in case of errors.

You can set broker properties to specify the type of information gathered by the logger as well as the type written to each of the output channels. In the case of a log file, you can also specify the point at which the log file is closed and output is rolled over to a new file. Once the log file reaches a specified size or age, it is saved and a new log file created.

For details about how to configure the logger and how to use it to obtain performance information, see “[Configuring and Using Broker Logging](#)” in *Sun Java System Message Queue 4.3 Administration Guide*.

Metrics Message Producer

The metrics message producer shown in [Figure 3–3](#) receives information from the metrics generator at regular intervals and writes the information into messages, which it then sends to one of a number of metric topic destinations, depending on the type of metric information contained in the message.

Message Queue clients subscribed to these metric topic destinations can consume the messages and process the metric data contained in the messages. This allows developers to create custom monitoring tools to support messaging applications. For details of the metric quantities reported in each type of metrics message, see [Chapter 20, “Metrics Information Reference,”](#) in *Sun Java System Message Queue 4.3 Administration Guide*. For information about how to configure the production of metrics messages, see [Chapter 4, “Using the Metrics Monitoring API,”](#) in *Sun Java System Message Queue 4.3 Developer’s Guide for Java Clients* and “[Using the Message-Based Monitoring API](#)” in *Sun Java System Message Queue 4.3 Administration Guide*.

JMX MBeans

The broker implements a comprehensive set of Java Management Extensions (JMX) MBeans that represent the broker's manageable resources. Using the JMX API, you can access these MBeans to perform broker configuration and monitoring operations programmatically from within a Java application.

In this way, the MBeans provide a Java application access to data values representing static or dynamic properties of a broker, connection, destination, or other resource. The application can also receive notifications of state changes or other significant events affecting the resource.

For more information see “[JMX-Based Administration](#)” on page 78.

Java ES Monitoring Framework Support

Message Queue supports the Sun Java Enterprise System (Java ES) Monitoring Framework, which allows Java Enterprise System components to be monitored using a common graphical interface. This interface is implemented by a web-based console called the Sun Java System Monitoring Console. If you are running Message Queue along with other Java ES components, you might find it more convenient to use a single interface to manage all these components.

The Java ES monitoring framework defines a common data model (CMM) to be used by all Java ES component products. This model enables a centralized and uniform view of all Java ES components. Message Queue exposes the following objects to the Java ES monitoring framework:

- the installed product

- the broker instance name
- the broker port mapper
- each connection service
- each physical destination
- the persistent store
- the user repository

Each one of these objects is mapped to a CMM object whose attributes can be monitored using the Java ES monitoring console. At runtime, administrators can use the console to view performance statistics, create rules to monitor automatically, and acknowledge alarms. For detailed information about the mapping of Message Queue objects to CMM objects, see the *Sun Java Enterprise System Monitoring Guide*.

Using the Java ES Monitoring Framework will not impact broker performance because all the work of gathering metrics is done by the monitoring framework, which pulls data from the broker's existing monitoring data infrastructure.

Administration Tools

This section describes the tools you use to configure and manage Message Queue broker services. The tools fall into two categories:

- [“Built-in Administration Tools” on page 76](#)
- [“JMX-Based Administration” on page 78](#)

Built-in Administration Tools

The following illustration shows the administration tools provided by Message Queue for configuring and managing broker services.

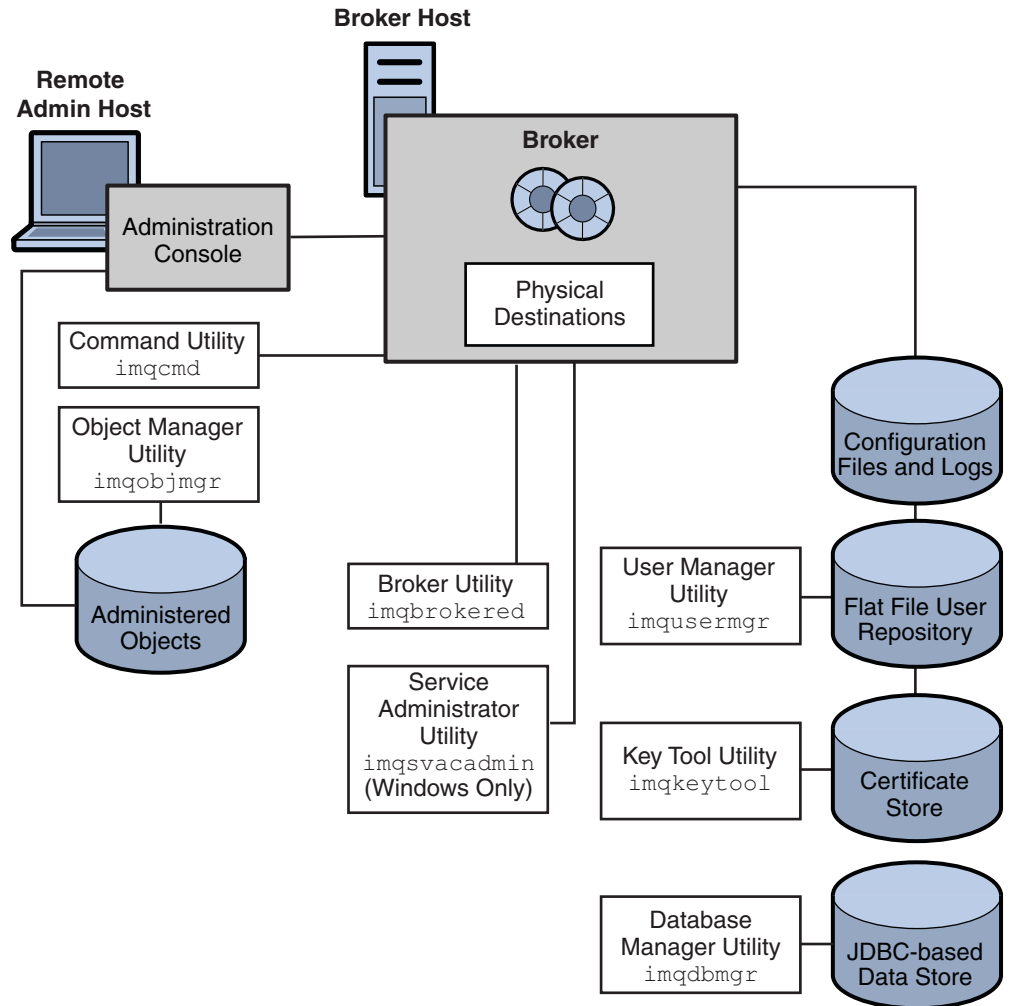


FIGURE 3-4 Message Queue Administration Tools

The administration tools include the following command line interfaces:

- **Broker utility** (`imqbrokerd`). Used to start a broker. You can use options to the `imqbrokerd` command to specify whether brokers should be connected in a broker cluster and to specify additional startup configuration information.
- **Command utility** (`imqcmd`). Used after starting a broker to manage broker resources, such as connection services, connections, durable subscriptions, transactions, physical destinations, and so forth.
- **Object Manager utility** (`imqobjmgr`). Used to create, list, update, and delete administered objects in a JNDI object store.

- **User Manager utility** (`imqusermgr`). Used to populate a file-based user repository for user authentication and authorization.
- **Database Manager utility** (`imqdbmgr`). Used to create and manage a JDBC-based persistent data store. (The built-in file store requires no external management.)
- **Key Tool utility** (`imqkeytool`). Used to generate self-signed broker certificates needed for SSL authentication.
- **Service Administrator utility** (`imqsvcadm`). Used to install, query, and remove a broker as a Windows service.

In addition to the command line utilities shown in [Figure 3–4](#), Message Queue administration tools also include the GUI-based Administration Console. The Administration Console combines some of the capabilities of the Command utility (`imqcmd`) and the Object Manager utility (`imqobjmgr`). You can use it to do the following:

- Manage a broker, its connection services, and other resources.
- Create, update, and delete physical destinations.
- Connect to a JNDI object store, add administered objects to the store, and manage them.

JMX-Based Administration

To serve customers who need a standard programmatic means to monitor and access the broker, Message Queue also supports the Java Management Extensions (JMX) architecture, which allows a Java application to manage broker resources programmatically.

- *Resources* include everything that you can manipulate using the Command utility (`imqcmd`) and the Message Queue Admin Console: the broker, connection services, connections, destinations, durable subscribers, transactions, and so on.
- *Management* includes the ability to dynamically configure and monitor resources, and the ability to obtain notifications about state changes and error conditions.

The JMX specification defines an architecture for the instrumentation and programmatic management of distributed resources. This architecture is based on the notion of a *managed bean*, or *MBean*: a Java object, similar to a *JavaBean*, representing a resource to be managed. Message Queue MBeans are associated with individual resources such as connection services, connections, or destinations, or with whole categories of resources, such as the set of all destinations on a broker. There are separate *configuration MBeans* and *monitor MBeans* for setting a resource's configuration properties and monitoring its runtime state.

Java applications access MBeans through remote method invocation (RMI) protocols. The MBeans are hosted by an MBean server in the broker, which functions as an MBean container. The MBean server is accessed by means of a RMI connector, which is used to obtain an MBean server connection, which, in turn, provides access to the individual MBeans.

The JMX specification defines an architecture that enables the programmatic management of any distributed resource. This architecture is defined by design patterns, APIs, and various services.

JMX-based administration provides dynamic, fine grained, programmatic access to the broker. You can use this kind of administration in a number of ways.

- You can include JMX code in your JMS client application to monitor application performance and, based on the results, to reconfigure the Message Queue resources you use to improve performance.
- You can write JMX client applications that monitor the broker to identify use patterns and performance problems, and you can use the JMX API to reconfigure the broker to optimize performance.
- You can write a JMX client application to automate regular maintenance tasks, rolling upgrades, and so on.
- You can write a JMX client application that constitutes your own version of the Command utility (`imqcmd`), and you can use it instead of `imqcmd`.
- You can use the standard Java Monitoring and Management Console (`jconsole`) that provides standard web browser access to the broker's MBeans.

JMX is the Java standard for building management applications and is widely used for managing Java EE infrastructure. If your Message Queue client is a part of a larger Java EE deployment, JMX support allows you to use a standard programmatic management framework throughout your Java EE application. Message Queue is based on the JMX 1.2 specification, which is part of JDK 1.5.

To manage a Message Queue broker using the JMX architecture, see [Sun Java System Message Queue 4.3 Developer's Guide for JMX Clients](#). For information on JMX infrastructure and configuring the broker's JMX support, see [Appendix D, "JMX Support," in Sun Java System Message Queue 4.3 Administration Guide](#).

Administration Tasks

This section describes the tasks that you need to complete to support a Message Queue development or a production environment.

Supporting a Development Environment

In developing a client component, it's best to keep administrative work to a minimum. The Message Queue product is designed to help you do this and can be used out of the box. It should be enough just to start the broker. The following practices allow you to focus on development:

- Use default implementations of the data store (built-in file persistence), the user repository (file-based), and access control properties file. These are adequate for developmental testing. The default user repository is created with default entries that allow you to use the broker immediately after installation. You can use the default user name (`guest`) and password (`guest`) to authenticate a client.
- Use a simple file-system object store by creating a directory for that purpose, and store administered objects there. You can also instantiate administered objects directly in code if you prefer not to create an object store at all.
- Use auto-created physical destinations rather than explicitly creating destinations on the broker. See the appropriate developer's guide for information.

Supporting a Production Environment

In a production environment, message service management plays a key role in application performance and in meeting the enterprise requirements for scaling, availability, and security. In this environment, the administrator has many more tasks to perform. These can be roughly divided into setup and maintenance operations.

Setup Operations

Typically, you have to perform the following setup operations:

- **Secure administrative access**
Whether you use a file-based or LDAP user repository, make sure that the administrator is in the `admin` group and has a secure password. If necessary, create a secure connection to the broker for the administrator.
- **Secure client access**
Whether you use a file-based or LDAP user repository, populate the user repository with the names of users who can access the message service and edit the access control properties file to give them appropriate authorization. If necessary set up SSL-based connection services. To prevent unauthenticated connections, be sure to change the “guest” user's password.
- **Create and configure physical destinations**
Set destination attributes so that the number of messages and the amount of memory allocated for messages can be supported by broker resources.
- **Create and configure administered objects.**
If you want to use an LDAP object store, configure and set up the store. Create and configure connection factory and destination administered objects.
- **If horizontal scaling and/or message service availability is required, create a broker cluster.**
For a conventional broker cluster, create a cluster configuration file and designate a master broker.

For an enhanced broker cluster, create a cluster configuration file that specifies property values for enhanced cluster mechanisms.

Maintenance Operations

To monitor and control broker resources and to tune application performance, you must do the following after an application has been deployed:

- Support and manage application clients
 - Monitor and manage destinations, durable subscriptions, and transactions
 - Disable auto-create capability
 - Monitor and manage the dead message queue
- Monitor and tune the broker
 - Recover failed brokers
 - Monitor, tune, and reconfigure the broker
 - Manage broker memory resources
 - Expand clusters if necessary
- Manage administered objects

Create additional administered objects as needed and adjust connection factory attributes to improve performance and throughput.

Broker Clusters

Message Queue supports the use of *broker clusters*: groups of brokers working together to provide message delivery services to clients. Clusters enable a Message Queue service to scale messaging operations by distributing client connections among multiple brokers. Because a cluster consists of multiple brokers, the cluster helps protect against individual broker failure. Two cluster models provide different levels of message service availability.

This chapter discusses the architecture and internal functioning of broker clusters. It covers the following topics:

- “Cluster Models” on page 83
- “Cluster Message Delivery” on page 84
- “Conventional Clusters” on page 87
- “Enhanced Clusters” on page 89
- “Cluster Models Compared” on page 92
- “Cluster Configuration” on page 93

Cluster Models

Message Queue supports two clustering models both of which provide a scalable message service, but with each providing a different level of message service availability:

- **Conventional broker clusters.** A conventional broker cluster provides for *service availability*. When a broker or a connection fails, clients connected to the failed broker reconnect to another broker in the cluster. However, messages and state information stored in the failed broker cannot be recovered until the failed broker is brought back online. The broker or connection failure can therefore result in a significant delay and in messages being delivered out of order.
- **Enhanced broker clusters.** An enhanced broker cluster provides for *data availability* in addition to service availability. When a broker or a connection fails, another broker takes over the pending work of the failed broker. The failover broker has access to the failed broker's messages and state information. Clients connected to the failed broker reconnect to

the failover broker. In an enhanced cluster, as compared to a conventional cluster, a broker or connection failure rarely results in significant delays in message delivery and messages are always delivered in order.

Note – Despite the message service availability offered by both conventional and enhanced broker clusters, they do not provide a guarantee against failure and the possibility that certain failures, for example in the middle of a transaction, could require that some operations be repeated. It is the responsibility of the messaging application (both producers and consumers) to handle and respond appropriately to failure notifications from the messaging service.

Conventional and enhanced broker clusters are built on the same underlying infrastructure and message delivery mechanisms. They differ in how brokers in the cluster are synchronized with one another and in how the cluster detects and responds to failures.

The sections that follow first describe the infrastructure and delivery mechanisms common to both clustering models, after which the unique aspects of each model is explained.

Cluster Message Delivery

A broker cluster facilitates the delivery of messages between client applications that are connected to different brokers in the cluster.

The following illustration shows salient features of a Message Queue broker cluster. Each of three brokers is connected to the other brokers in the cluster: the cluster is fully-connected. The brokers communicate with each other and pass messages by way of a special *cluster connection service*, shown in [Figure 4–1](#) by the dashed lines.

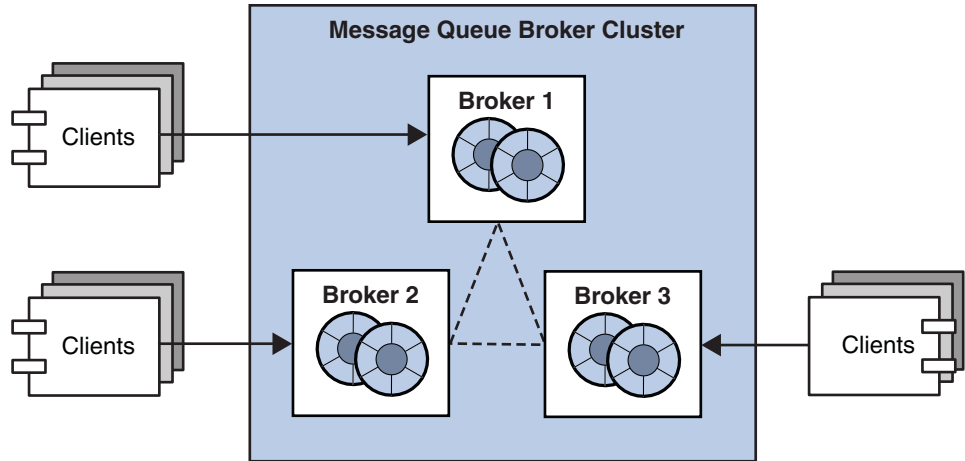


FIGURE 4-1 Message Queue Broker Cluster

Each broker typically has a set of messaging clients (producers and/or consumers) that are directly connected to that broker. For these client applications, the broker to which they are directly connected is called their home broker. Each client communicates directly only with its home broker, sending and receiving messages as if that broker were the only broker in the cluster.

Accordingly, a producer in the cluster produces messages to a destination in its home broker. The home broker is responsible for routing and delivering the messages to all consumers of the destination, whether these consumers are local (connected to the home broker) or remote (connected to other brokers in the cluster). The home broker works in concert with the other brokers to deliver messages to all consumers, no matter what brokers they are connected to.

Propagation of Information Across a Cluster

To facilitate delivery of messages across the cluster, information about the destinations and consumers of each broker is propagated to all brokers in the cluster. Each broker therefore stores the following information:

- The name, type, and properties of all physical destinations in the cluster
- The name, location, and destination of interest of each message consumer

Changes in this information are propagated whenever one of the following events occurs:

- A destination on one of the cluster's brokers is created or destroyed.

There are minor variations in the propagation of destinations, depending on the kind of destination:

- Admin-created destinations. When the destination is created, it is propagated across the cluster. When the destination is deleted on any broker in the cluster, its deletion is propagated across the cluster.
- Auto-created destinations. When a producer is created and the corresponding destination does not exist, the destination is auto-created on the producer's home broker, but is not immediately propagated across the cluster. By contrast, when a consumer is created and the corresponding destination does not exist, the destination is auto-created on the consumer's home broker *and* is propagated across the cluster (as part of the propagation of information about the consumer). An auto-created destination can be explicitly deleted by an administrator on each broker. Otherwise, the destination will be automatically deleted on each broker either when it has had no consumers and has contained no messages for two minutes, or when the broker restarts and there are no messages in the destination.
- Temporary destinations. When the destination is programmatically created, it is propagated across the cluster. If the consumer of the temporary destination is set to automatically reconnect in the event of failure, then the destination is stored persistently, and propagated across the cluster as a persistent destination. When the consumer connection to the temporary destination closes, the destination is deleted, and its deletion is propagated across the cluster. If the home broker of the consumer of a persistent temporary destination fails and is restarted, and if the consumer does not reconnect within a specific time interval, then it is assumed that the consumer has failed and the temporary destination is deleted, and its deletion is propagated across the cluster.
- The properties of a destination are changed.
- A message consumer is registered with its home broker.
- A message consumer is disconnected from its home broker (whether explicitly or through failure of the client, the broker, or the network).

The propagation of destination and consumer information across the cluster means that destinations and consumers are essentially global to the cluster. In the case of destinations, properties set for a physical destination (see [“Configuring Physical Destinations” on page 67](#)) apply to all instances of that destination in the cluster. Distributing producers across a cluster thus results in cumulative cluster-wide limits specified by destination properties such as the maximum number of messages, the maximum number of message bytes, and the maximum number of producers.

Message Delivery Mechanisms

Despite the global nature of destinations and consumers in a cluster, a home broker has special responsibilities with respect to both its producers and consumers:

- A producer's home broker is responsible for persisting and routing messages originating from that producer, for logging, for managing transactions, and for processing acknowledgements from consuming clients across the cluster.
- A consumer's home broker is responsible for persisting information about consumers, for delivering remotely produced messages to the consumer, for letting a producer's home broker know whether the consumer is still available, and for letting a producer's home broker know when each message has been successfully consumed.

The cluster connection service transports payload messages, when needed, from destinations on a home broker to destinations on remote brokers. It also transports control messages, such as client acknowledgements, from remote brokers back to a home broker. The cluster attempts to minimize message traffic across the cluster. For example, it only sends a message to a remote broker if the remote broker is home to a consumer of the message. If a remote broker has two identical consumers for the same destination (for example two topic subscribers), the message is sent over the wire only once. (You can further reduce traffic by setting a destination property specifying that delivery to local consumers has priority over delivery to remote consumers.)

If secure message delivery is required, you can configure a cluster to also provide secure, encrypted delivery of messages between brokers.

As a result of the cluster delivery mechanisms described above, each broker in a cluster stores different persistent messages and maintains different state information. If a broker fails, the mechanisms for recovering its persistent information depends on the cluster model being used, as described in subsequent sections.

Conventional Clusters

The following figure illustrates a conventional broker cluster.

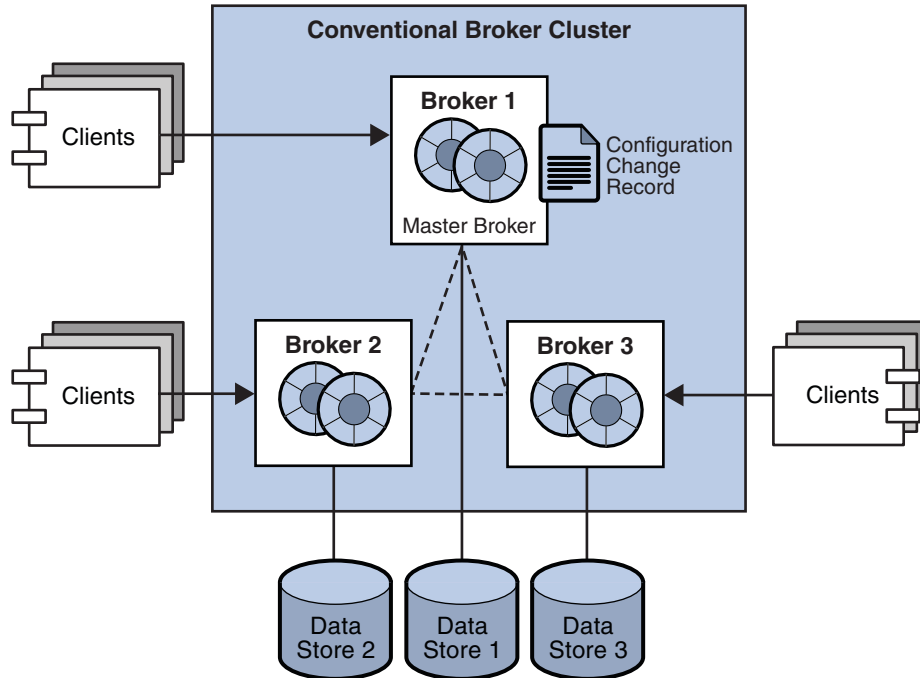


FIGURE 4-2 Conventional Broker Cluster

A conventional broker cluster has the following characteristics:

- **Data Synchronization**

Each broker has its own respective persistent data store in which destinations, persistent messages, and other state information is stored. Some of this information (for example, destinations and durable subscriptions) has been propagated to the broker (from other brokers in the cluster). If a broker fails, it is possible for this information to become out of sync with the information stored by other brokers in the cluster. To guard against this possibility in a conventional broker cluster, one broker within the cluster can be designated as a *master broker*. The master broker maintains a *configuration change record* to track changes to the cluster's propagated persistent entities.

When an offline broker comes back online (or when a new broker is added to the cluster), it consults the configuration change record for information about destinations and durable subscribers, then exchanges information with other brokers about its currently active message consumers.

Because brokers cannot complete their initialization without accessing the configuration change record, the master broker should always be the first broker started within the cluster. Furthermore, if the master broker goes offline, destination and durable subscriber information cannot be propagated across the cluster. Under these conditions, you will get an exception if you try to create, reconfigure, or destroy a destination or a durable

subscription (auto-created destinations and temporary destinations are not affected), or attempt a related operation. Similarly, in the absence of a master broker, any client application attempting to create a durable subscriber or unsubscribe from a durable subscription will get an error. Nevertheless, client applications can successfully interact with an existing durable subscriber.

Message production, delivery, and consumption can continue uninterrupted without a master broker.

- **Failure Detection and Recovery**

A conventional broker cluster detects failures when one broker tries to send data to another broker and an exception is thrown. When the cluster encounters a failed connection between brokers, it cannot do anything to recover, other than stop sending data. It is the responsibility of an administrator to monitor brokers in the cluster by using Message Queue administration tools (see “[Administration Tools](#)” on page 76) and perform the appropriate recovery operations.

- **Client Reconnect**

If a broker or its connection to a client fails, the client automatically attempts to reconnect to the same or another broker in the cluster. The reconnect is governed by connection properties that specify the order and frequency by which the client attempts to reconnect to brokers in the cluster. The broker to which the client successfully reconnects becomes the client's new home broker.

In this scenario, the new home broker (if different from the failed broker) does not have all the client-related state information that was previously held by the failed broker. For example, messages to have been consumed by the client or the state of transactions involving the client might have been lost. As a result, the failure of a broker in a conventional cluster can cause a delay in message delivery (until the failed broker restarts and the client reconnects).

Enhanced Clusters

The following figure illustrates an enhanced broker cluster. An enhanced broker cluster provides both service availability and data availability.

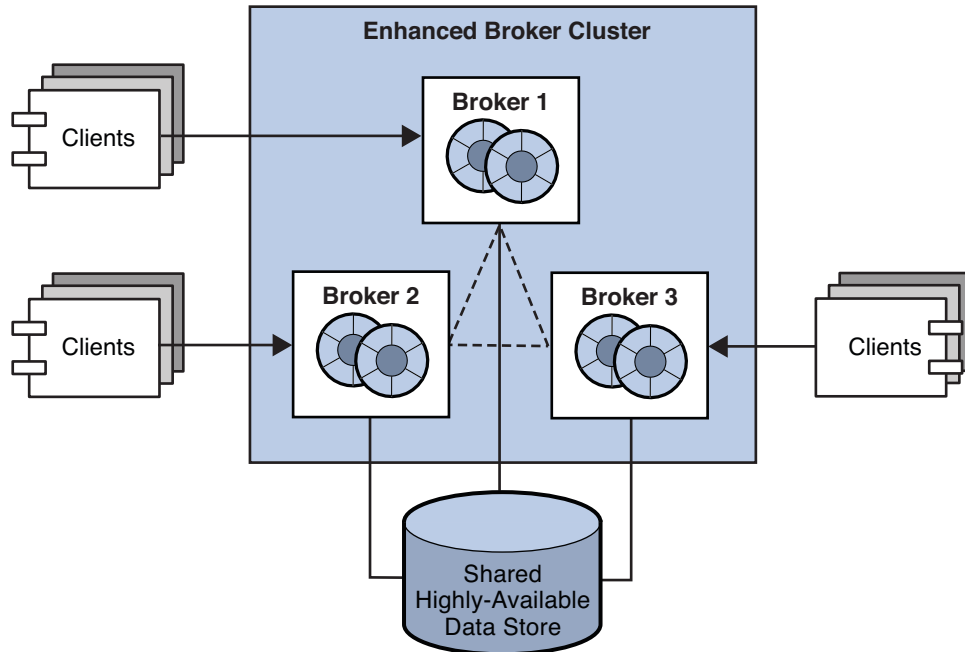


FIGURE 4-3 Enhanced Cluster

An enhanced broker cluster has the following characteristics:

- **Data Synchronization**

All brokers in an enhanced cluster share a common persistent data store in which destinations, persistent messages, and other state information is stored for each broker. Because all brokers share the same data store, each broker is able to access the state information stored by other brokers in the cluster. When a broker that has been offline rejoins the cluster (or when a new broker is added to the cluster) it is able to access the most current information simply by accessing the shared data store. Similarly, if a broker fails, another broker is able to access and take over the failed broker's information in the shared data store.

To achieve data availability, the shared data store must be a highly-available JDBC database. While it is possible to use a shared data store that is not highly-available, such a data store would represent a single point of failure for the cluster, and pose a normally unacceptable risk for a production message service: all brokers in the cluster would be impacted if the shared data store were to become unavailable.

- **Failure Detection and Recovery**

An enhanced cluster makes use of a distributed heartbeat service by which brokers inform other brokers that they are online and accessible by the cluster connection service. The heartbeat service also updates broker state information in the cluster's shared data store.

When no heartbeat packet is detected from a broker for a configurable number of heartbeat intervals, the broker is considered suspect of failure. The other brokers in the cluster then begin to monitor the suspect broker's state information in the shared data store to confirm whether the broker is still online. If the suspect broker does not update its state information within a configurable interval, it is considered to have failed. There is a trade-off between the speed and the accuracy of failure detection: configuring the cluster for quick failure detection increases the likelihood that a slow broker will erroneously be considered to have failed.

If these failure detection services operating in tandem determine that a broker has failed, then a failover broker is selected from among the remaining online brokers to take over the pending work of the failed broker.

The failover broker attempts to take over the failed broker's persistent state (pending messages, destinations, durable subscriptions, pending acknowledgments, and open transactions) so as to provide uninterrupted service to the failed broker's clients. If two or more brokers attempt such a takeover, only the first will succeed (the first acquires a lock on the failed broker's data in the shared data store, preventing subsequent takeover attempts).

The takeover of a failed broker's state happens very rapidly, however while in process, the failover broker cannot accept new client connections.

Once takeover is complete and a period for clients to reconnect to the failover broker has elapsed, the failover broker will clean up any transient resources (such as transactions and temporary destinations) belonging to the failed broker.

■ **Client Reconnect**

If a broker fails, its clients automatically reconnect to the failover broker, which becomes their new home broker. The reconnect process is a dynamic interplay between the client runtime and the broker cluster: if a client attempts to reconnect to a broker that is not the failover broker, the reconnect is rejected and the client is redirected to the failover broker.

In this scenario, the new home broker (the failover broker) has immediate access to all the client-related state information that was previously held by the failed broker. The failover broker can therefore take over where the failed broker left off. As a result, the failure of a broker in an enhanced cluster will not cause a failure in message delivery. However, during the short time required for takeover to complete, the failover broker cannot accept new client connections, causing a short delay in client reconnects, and a corresponding short delay in message delivery.

To configure an enhanced cluster you set cluster configuration properties for each broker in the cluster. These properties are detailed in [“Enhanced Broker Cluster Properties” in *Sun Java System Message Queue 4.3 Administration Guide*](#).

Cluster Models Compared

Conventional and enhanced cluster models share the same basic infrastructure. They both use the cluster communication service to enable message delivery between producers and consumers across the cluster. However, as shown in the following figure and described in previous sections, these models differ in how destination and consumer information is synchronized across the cluster, in the mechanisms for detecting failure, in how client reconnect takes place.

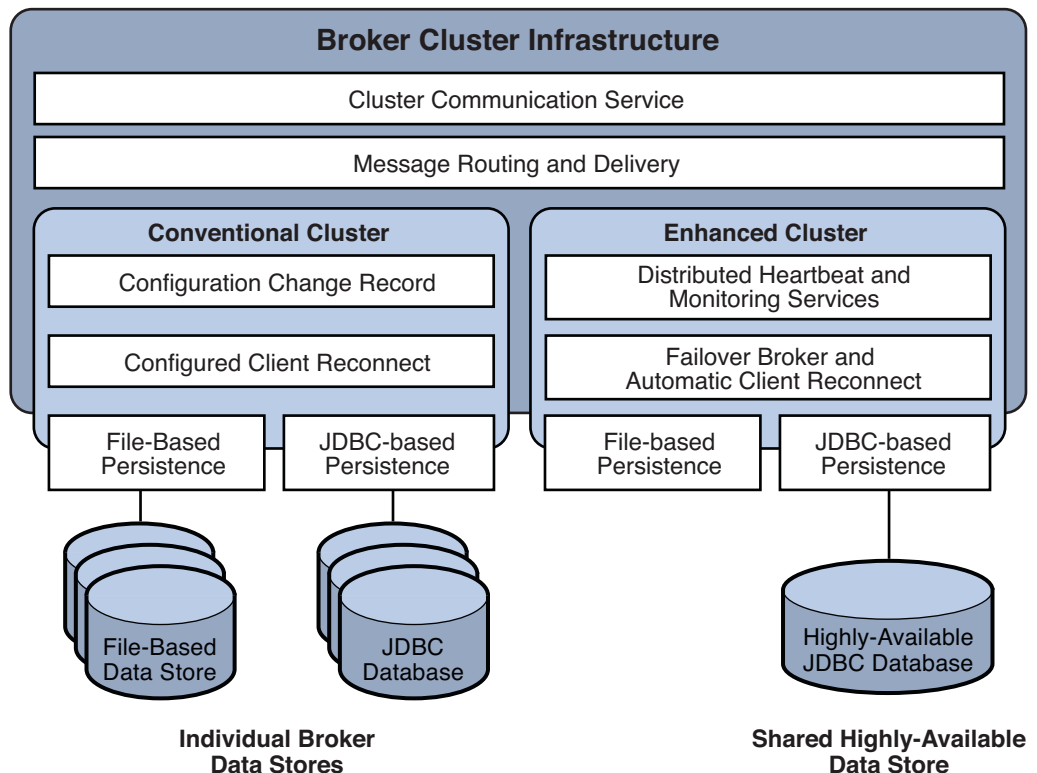


FIGURE 4-4 Cluster Infrastructure

In addition, while both models rely on the broker's persistence interfaces (both flat-file and JDBC), in the case of enhanced clusters the shared data store must be a highly-available JDBC database (a highly-available file-based data store has not yet been implemented).

The following table summarizes the functional differences between the two cluster models. This information might help in deciding which model to use or whether to switch from one to another.

TABLE 4-1 Clustering Model Differences

Functionality	Conventional	Enhanced
Performance	Faster than enhanced cluster model.	Slower than conventional cluster model.
Service availability	Yes, but some operations are not possible if master broker is down.	Yes.
Data availability	No. State information in failed broker is not available until broker restarts.	Yes at all times.
Transparent recovery from failure	No. Message delivery is interrupted. Also, client reconnects might not be possible if failure occurs during a transaction commit (rare).	Yes. No interruption in message delivery. If failure occurs during a transaction commit, an exception might be thrown indicating that the transaction could not be committed (extremely rare).
Configuration	Set appropriate cluster configuration properties for each broker.	Set appropriate cluster configuration properties for each broker.
Additional requirements	None.	Highly-available database.
Restricted to subnet	No.	Yes.

Cluster Configuration

Depending on the clustering model used, you must specify appropriate broker properties to enable the Message Queue service to manage the cluster. This information is specified by a set of *cluster configuration properties*. Some of these properties must have the same value for all brokers in a cluster; others must be specified for each broker individually. It is recommended that you place all configuration properties that must be the same for all brokers in one central *cluster configuration file* that is referenced by each broker at startup time. This ensures that all brokers share the same common cluster configuration information.

See “Configuring Broker Clusters” in *Sun Java System Message Queue 4.3 Administration Guide* for detailed information on cluster configuration properties.

Note – Although the cluster configuration file was originally intended for configuring clusters, it is also a convenient place to store other (non-cluster-related) properties that are shared by all brokers in a cluster.

For complete information about administering broker clusters, see Chapter 10, “Configuring and Managing Broker Clusters,” in *Sun Java System Message Queue 4.3 Administration Guide*.

For information about the effect of reconnection on the client, see “[Connection Event Notification](#)” in *Sun Java System Message Queue 4.3 Developer’s Guide for Java Clients* and “[Client Connection Failover \(Auto-Reconnect\)](#)” in *Sun Java System Message Queue 4.3 Developer’s Guide for Java Clients*.

Message Queue and Java EE

The Java Platform, Enterprise Edition (Java EE) is a specification for a standard server platform hosting multi-tier, distributed enterprise applications. One of the requirements of Java EE is that distributed components be able to interact through reliable, asynchronous messaging. This interaction is enabled through the use of a JMS provider. In fact, Message Queue is the reference JMS implementation for Java EE.

This chapter explores the ramifications of implementing JMS support in a Java EE platform environment. The chapter covers the following topics:

- “JMS/Java EE Programming: Message-Driven Beans” on page 95
- “Java EE Application Server Support” on page 97

For additional information about using Message Queue as a JMS provider for Java EE compliant application servers, see [Chapter 19, “JMS Resource Adapter Property Reference,”](#) in *Sun Java System Message Queue 4.3 Administration Guide*.

JMS/Java EE Programming: Message-Driven Beans

In addition to the general JMS client programming model introduced in [Chapter 2, “Client Programming Model,”](#) there is a more specialized adaptation of a JMS client used in the context of Java EE platform applications. This specialized client is called a *message-driven bean* and is one of a family of Enterprise JavaBeans (EJB) components described in the EJB 2.0 (and later) Specification (<http://java.sun.com/products/ejb/docs.html>).

Message-driven beans provide asynchronous messaging; other EJB components (session beans and entity beans) can only be called synchronously, through standard EJB interfaces. However, enterprise applications often need asynchronous messaging, to allow server-side components to communicate without tying up server resources. Any application whose server-side components must respond to application events needs an EJB component that can receive and consume messages without being tightly coupled to the message producer. In enterprise applications, this capability must also scale under increasing load.

A message-driven bean (MDB) is an EJB component supported by a specialized EJB container, that provides distributed services for the components it supports.

An MDB implements the `JMS MessageListener` interface. The `onMessage()` method (written by the MDB developer) is invoked when the MDB container receives a message. The `onMessage()` method consumes the message, just as the `onMessage()` method of a standard `MessageListener` object would. (You do not remotely invoke methods on MDBs as you do on other EJB components: therefore there are no home or remote interfaces associated with them.) Each MDB can consume messages from only a single destination. The messages can be produced by standalone JMS applications, JMS components, or EJB components, as shown in the following figure.

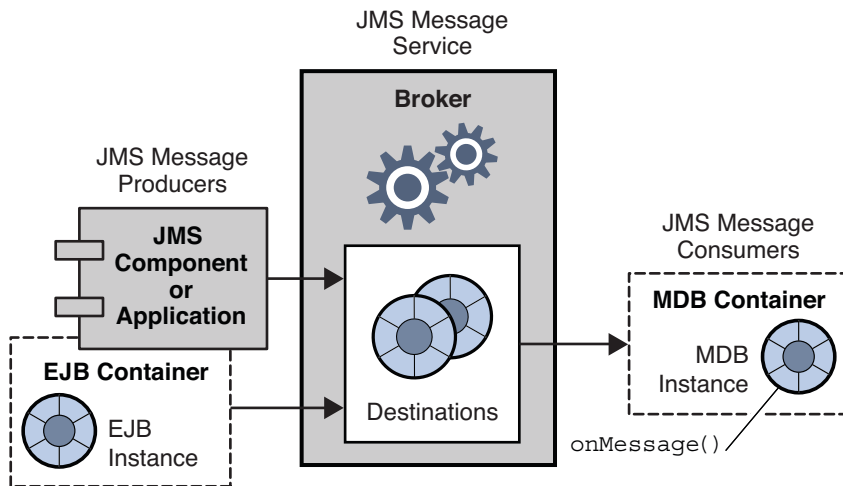


FIGURE 5-1 Messaging with MDBs

A specialized EJB container supports the MDB. This MDB container creates instances of the MDB and sets them up for asynchronous consumption of messages. The container sets up a connection with the broker (including authentication), creates a pool of sessions associated with a given destination, and manages the distribution of messages among the pooled sessions. Since the container controls the life cycle of MDB instances, it manages the pool of MDB instances to accommodate incoming message loads.

Associated with each MDB is a deployment descriptor that specifies the connection factory attributes and destination properties that the container uses in setting up message consumption. The deployment descriptor can also include other information needed by deployment tools to configure the container. Each such container supports all instances of a single MDB.

Java EE Application Server Support

In Java EE architecture, EJB containers are provided by Java EE application servers. An application server supports these containers by providing resources they need, such as transaction managers, persistence managers, name services, and, in the case of messaging and MDBs, a JMS provider.

For information about Java EE architecture, see the Java EE Platform Specification located at <http://java.sun.com/javaee/downloads/index.jsp>.

Java EE also provides a standardized way of plugging in external resources needed by an application server. The standard, defined by the Java EE Connector Architecture (J2EECA) 1.5 specification, allows an application server to interact with external systems by way of a *resource adapter*. External systems can include, among others, JMS messaging systems, as implemented by a JMS provider.

Plugging a JMS resource adapter into an application server allows Java EE components deployed and running in the application server to exchange JMS messages. The JMS connection factory and destination administered objects needed by these components can be created and configured using Java EE application server administration tools.

Other administrative operations, however, such as managing a broker and physical destinations, are not included in the J2EECA specification and can be performed only through provider-specific tools.

Message Queue includes a JMS resource adapter that consists of a single file (`imqjmsra.rar`) located in a directory that depends on the operating system (see [Chapter 19, “JMS Resource Adapter Property Reference,”](#) in *Sun Java System Message Queue 4.3 Administration Guide*). The `imqjmsra.rar` file contains the JAR files needed by the application server to support JMS messaging, as well as the resource adapter deployment descriptor (`ra.xml`) used to deploy the resource adapter in a Java EE application server.

You can deploy the Message Queue resource adapter in Java EE-1.4-compliant application servers by following the resource adapter deployment and configuration instructions provided by each application server.

In the case of the Sun Java System Application Server, however, Message Queue is already integrated, by default, as the application server's native JMS provider. Hence, no deployment of the Message Queue resource adapter is required.

Message Queue Implementation of Optional JMS Functionality

The JMS specification indicates certain items that are optional: each JMS provider (vendor) chooses whether to implement them. This appendix describes how the Message Queue product handles JMS optional items.

[Table A-1](#) describes how the Message Queue service handles JMS optional items.

Optional Features

TABLE A-1 Optional JMS Functionality

Section in JMS Specification	Description and Message Queue Implementation
3.4.3 JMSMessageID	<p>“Since message IDs take some effort to create and increase a message’s size, some JMS providers may be able to optimize message overhead if they are given a hint that message ID is not used by an application. JMS Message Producer provides a hint to disable message ID.”</p> <p>Message Queue implementation: Product does not disable Message ID generation (any <code>setDisableMessageID()</code> call in <code>MessageProducer</code> is ignored). All messages will contain a valid <code>MessageID</code> value.</p>
3.4.12 Overriding Message Header Fields	<p>“JMS does not define specifically how an administrator overrides these header field values. A JMS provider is not required to support this administrative option.”</p> <p>Message Queue implementation: The Message Queue product supports administrative override of the values in message header fields through configuration of the client runtime (see “Message Header” on page 49).</p>

TABLE A-1 Optional JMS Functionality (Continued)

Section in JMS Specification	Description and Message Queue Implementation
3.5.9 JMS Defined Properties	<p>“JMS Reserves the ’JMSX’ Property name prefix for JMS defined properties.”“Unless noted otherwise, support for these properties is optional.”</p> <p>Message Queue implementation: The JMSX properties defined by the JMS 1.1 specification are supported in the Message Queue product (see Appendix B, “Stability of Message Queue Interfaces,” in Sun Java System Message Queue 4.3 Administration Guide).</p>
3.5.10 Provider-specific Properties	<p>“JMS reserves the ’JMS_<vendor_name >’ property name prefix for provider-specific properties.”</p> <p>Message Queue implementation: The purpose of the provider-specific properties is to provide special features needed to support JMS use with provider-native clients. They should not be used for JMS to JMS messaging.</p>
4.4.8 Distributed Transactions	<p>“JMS does not require that a provider support distributed transactions.”</p> <p>Message Queue implementation: Distributed transactions are supported in this release of the Message Queue product (see “Transactions” on page 56).</p>
4.4.9 Multiple Sessions	<p>“For PTP <point-to-point distribution model>, JMS does not specify the semantics of concurrent <code>QueueReceivers</code> for the same queue; however, JMS does not prohibit a provider from supporting this.” See section 5.8 of the JMS specification for more information.</p> <p>Message Queue implementation: The Message Queue implementation supports queue delivery to multiple consumers. For more information, see “Point-To-Point Messaging” on page 39.</p>

Message Queue Features

The Message Queue service fully implements the JMS 1.1 specification for reliable, asynchronous message delivery. For information about JMS compliance-related issues, see [Appendix A, “Message Queue Implementation of Optional JMS Functionality.”](#)

Message Queue has additional capabilities and features that exceed JMS requirements. You can use these features to integrate and monitor systems consisting of large numbers of distributed components exchanging many thousands of messages in round-the-clock, mission-critical operations.

This book has introduced these enterprise-strength features in the process of describing the Message Queue service. For your convenience, this appendix provides an alphabetical summary of Message Queue features: each feature is briefly described, the work required to use the feature is summarized, and references are provided to sections in this book that introduce these features and to the specific documents in the Message Queue documentation set that describe these features in detail.

Feature List

TABLE B-1 Message Queue Features

Feature	Description and Reference
Administration tools	<p>The Message Queue service includes GUI and command line tools for managing destinations, transactions, durable subscriptions, administered object stores, user repositories, JDBC-compliant data stores, and server certificates.</p> <p>Also see the JMX-based administration feature described in this table.</p> <p>Reference</p> <p>“Built-in Administration Tools” on page 76</p> <p>Chapter 1, “Administrative Tasks and Tools,” in <i>Sun Java System Message Queue 4.3 Administration Guide</i></p>

TABLE B-1 Message Queue Features (Continued)

Feature	Description and Reference
Authentication	<p data-bbox="879 236 1293 288">Authenticate users seeking a connection to the broker.</p> <p data-bbox="879 309 1336 473">The Message Queue service allows users to connect to the broker by validating their name and password against values stored in a user repository. The repository can be a flat-file repository shipped with Message Queue or an LDAP repository (LDAP v2 or v3 protocol).</p> <p data-bbox="879 494 943 517">To Use</p> <ol data-bbox="879 526 1286 644" style="list-style-type: none"> <li data-bbox="879 526 1286 578">1. Create a user repository or use the default instance. <li data-bbox="879 586 1286 644">2. Use the <code>imqusermgr</code> tool to populate the repository. <p data-bbox="879 664 1139 687">JAAS-Based Authentication</p> <p data-bbox="879 708 1336 904">Application clients can also use authentication services based on the Java Authentication and Authorization Service (JAAS), which allows you to plug in a variety of services into the broker to authenticate Message Queue clients. The JAAS API is a core API in J2SE and therefore it is an integral part of Message Queue's runtime environment.</p> <p data-bbox="879 925 943 947">To Use</p> <ol data-bbox="879 956 1336 1194" style="list-style-type: none"> <li data-bbox="879 956 1336 1043">1. The JAAS provider supplies a login module class that implements the authentication service. <li data-bbox="879 1064 1336 1116">2. Obtain JAAS configuration file and specify its location using a system property. <li data-bbox="879 1137 1336 1194">3. Configure broker properties that relate to JAAS support. <p data-bbox="879 1215 972 1237">Reference</p> <p data-bbox="879 1258 1300 1281">“Authentication and Authorization” on page 71</p> <p data-bbox="879 1302 1308 1381">Chapter 9, “Configuring and Managing Security Services,” in <i>Sun Java System Message Queue 4.3 Administration Guide</i></p>

TABLE B-1 Message Queue Features (Continued)

Feature	Description and Reference
Authorization	<p>Authorize users to perform specific operations.</p> <p>The Message Queue service allows you to create an access control properties file that specifies the operations users and groups of users can perform. The broker checks this file when a client seeks to create a connection, create a producer, create a consumer, or browse a queue.</p> <p>To Use</p> <p>Edit the access control properties file that is automatically created for the broker instance.</p> <p>Reference</p> <p>“Authentication and Authorization” on page 71</p> <p>Chapter 9, “Configuring and Managing Security Services,” in <i>Sun Java System Message Queue 4.3 Administration Guide</i></p>
Automatic reconnect	<p>The administrator sets connection attributes on the connection factory administered object to enable automatic reconnection in the event of connection or broker failure. Reconnection can be to the same broker or to another broker in a cluster if a cluster is used. You can specify how many times to try reconnection and the interval between attempts. You can also specify how often to iterate through a list of brokers and whether to iterate through the list in a specific order.</p> <p>Reference</p> <p>“Connection Services” on page 64</p> <p>Chapter 11, “Managing Administered Objects,” in <i>Sun Java System Message Queue 4.3 Administration Guide</i></p>

TABLE B-1 Message Queue Features (Continued)

Feature	Description and Reference
Broker clusters	<p>The administrator can balance client connections and message delivery across a number of broker instances by grouping those instances into a broker cluster. The Message Queue service supports two kinds of clusters: conventional clusters and high availability clusters</p> <p>To Use Conventional Clusters</p> <ol style="list-style-type: none"> 1. Specify cluster configuration properties for each broker in the cluster. Specify properties that are the same for all brokers using a cluster configuration file. 2. If there is a master broker, start the master broker 3. Start the other brokers in the cluster. <p>To Use Enhanced Clusters</p> <ol style="list-style-type: none"> 1. Specify cluster configuration properties for each broker in the cluster (including JDBC-related properties). Specify properties that are the same for all brokers using a cluster configuration file. 2. Install your JDBC driver's .jar file in the appropriate directory location. 3. Use the <code>imqdbmgr</code> tool to create the database schema for the highly available data store. 4. Start the brokers in the cluster. <p>Reference</p> <p>Chapter 4, “Broker Clusters”</p> <p>Chapter 10, “Configuring and Managing Broker Clusters,” in <i>Sun Java System Message Queue 4.3 Administration Guide</i></p>

TABLE B-1 Message Queue Features (Continued)

Feature	Description and Reference
Broker configuration	<p>The administrator can set broker properties to tune Message Queue service performance. This includes routing services, persistence services, security, monitoring, and administered object management.</p> <p>Reference</p> <p>Chapter 3, “The Message Queue Broker”</p> <p>Chapter 4, “Configuring a Broker,” in <i>Sun Java System Message Queue 4.3 Administration Guide</i></p>
C client support, including support for distributed transactions.	<p>C clients can use Message Queue messaging services to send and receive messages. The C API enables legacy C applications and C++ applications to participate in JMS-based messaging.</p> <p>Message Queue’s C API is supported by a C client runtime that supports most of the standard JMS functionality, with the exception of the following: the use of administered objects; map, stream, or object message body types; distributed transactions; and queue browsers. The C client runtime also does not support most of Message Queue’s enterprise features. The Message Queue C-API supports the XA interface (between a distributed transaction manager and Message Queue as a XA-compliant resource manager), allowing Message Queue C-API clients running in a distributed transaction processing environment (such as BEA Tuxedo) to participate in distributed transactions.</p> <p>Reference</p> <p>“Java and C Clients” on page 61</p> <p><i>Sun Java System Message Queue 4.3 Developer’s Guide for C Clients</i></p>

TABLE B-1 Message Queue Features (Continued)

Feature	Description and Reference
Client runtime logging	<p>Java clients can use all the J2SE 1.4 logging facilities to configure how the Message Queue client runtime outputs its logging information. Clients can choose to log the following events: changes in connection state and miscellaneous connection activities, session-related events, the creation of producers, consumers, and destinations, and the consumption and production of messages.</p> <p>Java clients can configure logging programmatically or by using configuration files.</p> <p>Reference</p> <p>“Client Runtime Logging” in <i>Sun Java System Message Queue 4.3 Developer’s Guide for Java Clients</i></p>
Compressed messages	<p>Java clients can set a message property to have the client runtime compress a message being sent. The runtime on the consumer side decompresses the message before it delivers it to the consumer. Additional properties are provided that you can use to determine whether compressing messages would actually improve performance.</p> <p>Reference</p> <p>“Message Body” on page 51</p> <p>“Managing Message Size” in <i>Sun Java System Message Queue 4.3 Developer’s Guide for Java Clients</i></p>
Configurable persistence	<p>The administrator can configure the broker to use the file-based persistent store provided with Message Queue or a JDBC-compliant database, such as Oracle 8i.</p> <p>To Use</p> <p>Set broker properties that relate to file-system persistent storage or JDBC-compliant storage.</p> <p>Reference</p> <p>“Persistence Services” on page 69</p> <p>Chapter 8, “Configuring Persistence Services,” in <i>Sun Java System Message Queue 4.3 Administration Guide</i></p>

TABLE B-1 Message Queue Features (Continued)

Feature	Description and Reference
Configurable physical destinations	<p>The administrator can define some messaging behavior by setting physical destination properties when creating destinations. The following behavior can be configured for any destination: the maximum number of unconsumed messages or the maximum amount of memory allowed for such messages, which messages the broker should reject when memory limits are reached, the maximum number of producers and consumers, the maximum message size, the maximum number of messages delivered in a single batch, whether the destination can deliver only to local consumers, and whether dead messages on the destination can be moved to the dead message queue.</p> <p>Reference</p> <p>“Message Delivery Services” on page 66</p> <p>“Configuring and Managing Physical Destinations” in <i>Sun Java System Message Queue 4.3 Administration Guide</i></p>
Connection event notification	<p>Java clients can listen for connection events (like closure or reconnection) and take appropriate action based on the notification type and the connection state.</p> <p>To Use</p> <ol style="list-style-type: none"> 1. Use the event notification API to create an event listener. 2. Add code to the client application that will take appropriate action depending on the events captured by the event listener. <p>Reference</p> <p>“Connection Event Notification” in <i>Sun Java System Message Queue 4.3 Developer’s Guide for Java Clients</i></p>

TABLE B-1 Message Queue Features (Continued)

Feature	Description and Reference
Connection ping	<p>The administrator can set a connection factory attribute to specify the frequency of a ping operation from the client runtime to the broker. This allows the client to preemptively detect a failed connection.</p> <p>Reference</p> <p>“Connection Services” on page 64</p> <p>“Configuring Connection Services” in <i>Sun Java System Message Queue 4.3 Administration Guide</i></p>
Dead message queue	<p>The Message Queue message service creates the dead message queue to hold messages that have expired or that the broker could not process. You can examine the contents of the queue to monitor, tune, or troubleshoot system performance.</p> <p>Reference</p> <p>“Physical Destinations” on page 66</p> <p>“Using the Dead Message Queue” in <i>Sun Java System Message Queue 4.3 Administration Guide</i> “Configuring and Managing Physical Destinations” in <i>Sun Java System Message Queue 4.3 Administration Guide</i></p>

TABLE B-1 Message Queue Features (Continued)

Feature	Description and Reference
HTTP connections	<p>Java clients can create HTTP connections to the broker.</p> <p>HTTP transport allows messages to be delivered through firewalls. Message Queue implements HTTP support using an HTTP tunnel servlet that runs in a web server environment. Messages produced by a client are wrapped by the client runtime as HTTP requests and delivered over HTTP through a firewall to the tunnel servlet. The tunnel servlet extracts the JMS message from the HTTP request and delivers the message over TCP/IP to the broker.</p> <p>To Use</p> <ol style="list-style-type: none"> 1. Deploy HTTP tunnel servlet on a web server. 2. Configure broker's <code>httpjms</code> connection service and start the broker. 3. Configure HTTP connection. 4. Obtain an HTTP connection to the broker. (Java clients only.) <p>Reference</p> <p>“Connection Services” on page 64</p> <p>Appendix C, “HTTP/HTTPS Support,” in <i>Sun Java System Message Queue 4.3 Administration Guide</i></p>
Interactive monitoring	<p>The administrator can use the <code>imqcmd metrics</code> command to monitor a broker remotely. Monitored data includes JVM metrics, broker message flow, connections, connection resources, messages, destination message flow, destination consumers, destination resource use.</p> <p>Reference</p> <p>“Monitoring Services” on page 73</p> <p>Chapter 12, “Monitoring Broker Operations,” in <i>Sun Java System Message Queue 4.3 Administration Guide</i></p>

TABLE B-1 Message Queue Features (Continued)

Feature	Description and Reference
Java EE resource adapters	<p>Message Queue provides a resource adapter that can be plugged into a Java EE-compliant application server. By using Message Queue as a JMS provider, an application server meets the Java EE requirement that distributed components running in the application server be able to interact using reliable, asynchronous message.</p> <p>To Use</p> <p>Configure the adapter by setting adapter attributes.</p> <p>Reference</p> <p>“Java EE Application Server Support” on page 97 Chapter 19, “JMS Resource Adapter Property Reference,” in <i>Sun Java System Message Queue 4.3 Administration Guide</i></p>
Java ES Monitoring Framework support	<p>The Java ES Monitoring Framework allows administrators to use the same interface to manage any and all Java ES components. If you are using Message Queue with other Java ES components, it might be more convenient to manage these from a single console. Administrators can use the Sun Java System Monitoring Console to view performance statistics, create rules to monitor automatically, and acknowledge alarms. To enable Java ES monitoring, you must do the following:</p> <ul style="list-style-type: none"> ■ Install and configure the components in your deployment; for example, Message Queue and the Application Server. ■ Enable and configure the Monitoring Framework for all your monitored components. ■ Install the Monitoring Console on a separate host, start the master agent, and then start the web server. <p>For information, see the <i>Sun Java Enterprise System Monitoring Guide</i>.</p>

TABLE B-1 Message Queue Features (Continued)

Feature	Description and Reference
JMX-Based Administration	<p>Java clients can use the JMX API to monitor and manage broker resources: the broker, services, connections, destinations, consumers, producers, and so on. You can use JMX-based administration in different ways to monitor application performance, to configure and monitor broker services, to automate tasks, or to write custom tools.</p> <p>Reference</p> <p>“JMX-Based Administration” on page 78</p> <p>Appendix D, “JMX Support,” in <i>Sun Java System Message Queue 4.3 Administration Guide</i></p> <p><i>Sun Java System Message Queue 4.3 Developer’s Guide for JMX Clients</i></p>
JNDI service provider support	<p>Clients can look up administered objects using the JNDI API.</p> <p>Administrators can use the <code>imqobjmgr</code> utility to add, list, update, and delete administered objects in an object store accessible using JNDI.</p> <p>Reference</p> <p>“Built-in Administration Tools” on page 76</p> <p>Chapter 11, “Managing Administered Objects,” in <i>Sun Java System Message Queue 4.3 Administration Guide</i></p>

TABLE B-1 Message Queue Features (Continued)

Feature	Description and Reference
LDAP Server support	<p>An administrator can use an LDAP server as a Message Queue administered object store and as a user repository (needed for authentication). By default Message Queue provides file-based storage for this data.</p> <p>To Use as an Administered Object Store</p> <ol style="list-style-type: none"> 1. Use the tools provided by the LDAP vendor to set up the LDAP server. 2. Set the LDAP-related broker properties to define the initial context and the location of the object store. 3. Set the LDAP-related broker properties that relate to securing the LDAP server operations. <p>Reference</p> <p>Chapter 9, “Configuring and Managing Security Services,” in <i>Sun Java System Message Queue 4.3 Administration Guide</i></p>

TABLE B-1 Message Queue Features (Continued)

Feature	Description and Reference
Memory resource management	<p>The administrator can configure the following behavior:</p> <ol style="list-style-type: none"> 1. Set properties on a destination to specify the maximum number of producers, the maximum number of messages, and the maximum size of any one message. 2. Set properties on a destination to control message flow. 3. Set properties on a destination to manage message flow for each destination. 4. Set properties on the broker to specify message limits on all destinations for that broker. 5. Set properties on the broker to specify thresholds of available system memory at which the broker takes action to prevent memory overload. The action taken depends on the state of memory resources. <p>Reference</p> <p>“Message Delivery Services” on page 66</p> <p>Chapter 4, “Configuring a Broker,” in <i>Sun Java System Message Queue 4.3 Administration Guide</i></p>
Message compression	<p>The developer can set a message header property to have the client runtime compress a message before sending it. The client runtime on the consumer side decompresses the message before delivering it to the consumer.</p> <p>Reference</p> <p>“Message Properties” on page 50</p> <p>“Message Compression” in <i>Sun Java System Message Queue 4.3 Developer’s Guide for Java Clients</i></p>

TABLE B-1 Message Queue Features (Continued)

Feature	Description and Reference
Message flow control to clients	<p>The administrator or the developer can configure a connection to specify various flow limits and metering schemes to minimize the collision of payload and control messages, and thereby to maximize message throughput.</p> <p>To Use</p> <p>Set the flow-control attributes for the connection factory administered object (administrator), or set the flow-control properties for the connection factory (developer).</p> <p>Reference</p> <p>“Connection Factories and Connections” on page 47</p> <p>“Configuring Connection Services” in <i>Sun Java System Message Queue 4.3 Administration Guide</i></p> <p>“Connection Factory Attributes” in <i>Sun Java System Message Queue 4.3 Administration Guide</i></p>
Message-based monitoring API	<p>Java clients can use a monitoring API to create custom monitoring applications. A monitoring application is a consumer that retrieves metrics messages from special metrics topic destinations.</p> <p>To Use</p> <ol style="list-style-type: none"> 1. Write a metrics monitoring client. 2. Set broker properties to configure the broker’s metrics message producer. 3. Set access controls on metrics topic destinations. 4. Start the monitoring client. <p>Reference</p> <p>“Monitoring Services” on page 73</p> <p>Chapter 4, “Using the Metrics Monitoring API,” in <i>Sun Java System Message Queue 4.3 Developer’s Guide for Java Clients</i></p> <p>Chapter 12, “Monitoring Broker Operations,” in <i>Sun Java System Message Queue 4.3 Administration Guide</i></p>

TABLE B-1 Message Queue Features (Continued)

Feature	Description and Reference
Multiple destinations for publishers and subscribers	<p>Publishers can publish messages to multiple topic destinations and subscribers can consume messages from multiple topic destinations by using a destination name that includes wildcard characters, representing multiple destinations. Using such symbolic names allows administrators to create additional topic destinations, as needed, consistent with the wildcard naming scheme. Publishers and subscribers automatically publish to and consume from the added destinations. (Wildcard destination consumers are more common than publishers.)</p> <p>Reference</p> <p>“Supported Topic Destination Names” in <i>Sun Java System Message Queue 4.3 Administration Guide</i></p>
Queue delivery to multiple consumers	<p>Clients can register more than one consumer for a given queue.</p> <p>The administrator can specify the maximum number of active consumers and the maximum number of backup consumers for the queue. The broker distributes messages to the registered consumers, balancing the load among them in order to allow the system to scale.</p> <p>To Use</p> <p>Set physical destination properties <code>maxNumActiveConsumers</code> and <code>maxNumBackupConsumers</code>.</p> <p>Reference</p> <p>“Point-To-Point Messaging” on page 39</p> <p>Chapter 17, “Physical Destination Property Reference,” in <i>Sun Java System Message Queue 4.3 Administration Guide</i></p>

TABLE B-1 Message Queue Features (Continued)

Feature	Description and Reference
Reliable data persistence	<p>To obtain absolute reliability you can require that the operating system write the data synchronously to the persistent store by setting the <code>imq.persist.file.sync.enabled</code> property to <code>true</code>. This eliminates possible data loss due to system crashes, but at the expense of performance. Note that although the data is not lost, it is not available to any other broker (in a cluster) because data is not currently shared by clustered brokers. When the system comes back up, the broker can reliably resume operations.</p> <p>Reference</p> <p>“Persistence Services” on page 69</p> <p>“Persistence Properties” in <i>Sun Java System Message Queue 4.3 Administration Guide</i></p>
Schema validation of XML messages	<p>Enables validation of the content of a text (not object) XML message against an XML schema at the point the message is sent to the broker. The location of the XML schema (XSD) is specified as a property of a Message Queue destination. If no XSD location is specified, the DTD declaration within the XML document is used to perform DTD validation. (XSD validation, which includes data type and value range validation, is more rigorous than DTD validation.)</p> <p>Reference</p> <p>“Physical Destination Properties” in <i>Sun Java System Message Queue 4.3 Administration Guide</i></p>

TABLE B-1 Message Queue Features (Continued)

Feature	Description and Reference
Secure connections	<p>Clients can secure transmission of messages using the Secure Socket Layer (SSL) standard over TCP/IP and HTTP transports. These SSL-based connection services allow for the encryption of messages sent between clients and broker.</p> <p>SSL support is based on self-signed server certificates. Message Queue provides a utility that generates a private/public key pair and embeds the public key in a self-signed certificate. This certificate is passed to any client requesting a connection to the broker, and the client uses the certificate to set up an encrypted connection.</p> <p>To Use</p> <ol style="list-style-type: none"> 1. Generate a self-signed or signed certificate. 2. Enable the secure service. 3. Start the broker. 4. Configure client security connection properties and run the client. <p>Reference</p> <p>“Security Services” on page 70</p> <p>Chapter 9, “Configuring and Managing Security Services,” in <i>Sun Java System Message Queue 4.3 Administration Guide</i></p> <p>“Working With Secure Connections” in <i>Sun Java System Message Queue 4.3 Developer’s Guide for C Clients</i></p>

TABLE B-1 Message Queue Features (Continued)

Feature	Description and Reference
Simple Object Access Protocol (SOAP) support	<p>Clients can receive SOAP (XML) messages and they can wrap them as JMS messages and use Message Queue to exchange them as they would a JMS message.</p> <p>Clients can use a special servlet to receive SOAP messages; they can use a utility class to wrap a SOAP message as a JMS message; they can use another utility class to extract the SOAP message from the JMS message. Clients can use standard SOAP with Attachments API for Java (SAAJ) libraries to assemble and disassemble a SOAP message.</p> <p>Reference</p> <p>“Working with SOAP Messages” on page 61</p> <p>Chapter 5, “Working with SOAP Messages,” in <i>Sun Java System Message Queue 4.3 Developer’s Guide for Java Clients</i></p>
Support for Sun Connection Registration	<p>The Message Queue installer allows for registration of Message Queue with Sun Connection, a Sun-hosted service that helps you track, organize, and maintain Sun hardware and software.</p> <p>Reference</p> <p>Relevant platform-specific chapter in <i>Sun Java System Message Queue 4.3 Installation Guide</i></p>
Thread management	<p>The administrator can specify the maximum and minimum number of threads assigned to any specific connection service. The administrator can also determine whether a connection service could increase throughput by using a shared thread model, which allows threads dedicated to idle connections to be used by other connections.</p> <p>To Use</p> <p>Set connection service thread-related properties.</p> <p>Reference</p> <p>“Thread Pool Management” on page 66</p> <p>Chapter 4, “Configuring a Broker,” in <i>Sun Java System Message Queue 4.3 Administration Guide</i></p>

TABLE B-1 Message Queue Features (Continued)

Feature	Description and Reference
Tunable performance	<p>The administrator can set broker properties to adjust memory usage, threading resources, message flow, connection services, reliability parameters, and other elements that affect message throughput and system performance.</p> <p>Reference</p> <p>“Monitoring Services” on page 73</p> <p>“Monitoring Services” in <i>Sun Java System Message Queue 4.3 Administration Guide</i></p> <p>Chapter 13, “Analyzing and Tuning a Message Service,” in <i>Sun Java System Message Queue 4.3 Administration Guide</i></p>
Universal Message Service (UMS)	<p>Message Queue includes a universal messaging service (UMS) and messaging API that provides access to Message Queue from any http-enabled device. As a result, almost any application can communicate with any other application and benefit from the reliability and guaranteed delivery of JMS messaging. In addition, the UMS provides enhanced scalability for JMS messaging, allowing the number of messaging clients to reach internet-scale proportions.</p> <p>The simple, language-independent, protocol-based UMS API supports both web-based and non-web-based applications, and can be used with both scripting and programming languages. The API is offered in two styles: a simple messaging API that uses a Representational State Transfer (REST)-style protocol, and an XML messaging API that embeds the protocol in a SOAP message header. In both cases, however, the API requires only a single http request to send or receive a message.</p> <p>Reference</p> <p>“Universal Message Service (UMS)” in <i>Sun Java System Message Queue 4.3 Release Notes</i></p> <p>Documentation of UMS on Open MQ web site: https://mq.dev.java.net/4.3-content/ums/umsIntro.html</p>

Glossary

This glossary provides information about terms and concepts you might encounter while using Message Queue.

acknowledgement	Control messages exchanged between clients and broker to ensure reliable delivery. There are two general types of acknowledgement: client acknowledgements and broker acknowledgements.
administered objects	A pre-configured object—a connection factory or a destination—that encapsulates provider-specific implementation details, and is created by an administrator for use by one or more JMS clients. The use of administered objects allows JMS clients to be provider-independent. Administered objects are placed in a JNDI name space by and are accessed by JMS clients using JNDI lookups.
asynchronous messaging	An exchange of messages in which the sending of a message does not depend upon the readiness of the consumer to receive it. In other words, the sender of a message need not wait for the sending method to return before it continues with other work. If a message consumer is busy or offline, the message is sent and subsequently received when the consumer is ready.
authentication	The process by which only verified users are allowed to set up a connection to a broker.
authorization	The process by which a message service determines whether a user can access message service resources, such as connection services or destinations, to perform specific operations supported by the message service.
broker	The Message Queue entity that manages message routing, delivery, persistence, security, and logging, and that provides an interface for monitoring and tuning performance and resource use.
client	An application (or software component) that interacts with other clients using a message service to exchange messages. The client can be a producing client, a consuming client, or both.
client identifier	An identifier that associates a connection and its objects with a state maintained by the Message Queue broker on behalf of the client.
client runtime	Message Queue software that provides messaging clients with an interface to the Message Queue message service. The client runtime supports all operations needed for clients to send messages to destinations and to receive messages from destinations.
cluster	Two or more interconnected brokers that work in concert to provide scalable messaging services. In the event of failover and reconnection, conventional clusters provide service availability; enhanced clusters provide service and data availability.

cluster connection service	A private protocol that enables brokers in a cluster to provide reliable, synchronized service.
connection	A communication channel between a client and a broker used to pass both payload messages and control messages.
connection factory	The administered object the client uses to create a connection to a broker. This can be a <code>ConnectionFactory</code> object, a <code>QueueConnectionFactory</code> object or a <code>TopicConnectionFactory</code> object.
consumer	An object (<code>MessageConsumer</code>) created by a session that is used for receiving messages sent from a destination. In the point-to-point delivery model, the consumer is a receiver or browser (<code>QueueReceiver</code> or <code>QueueBrowser</code>); in the publish/subscribe delivery model, the consumer is a subscriber (<code>TopicSubscriber</code>).
data store	A database where information (durable subscriptions, data about destinations, persistent messages, auditing data) needed by the broker is permanently stored.
dead message	A message that is removed from the system for a reason other than normal processing or explicit administrator action. A message might be considered dead because it has expired, because it has been removed from a destination due to memory limit overruns, or because of failed delivery attempts. You can choose to store dead messages on the dead message queue.
dead message queue	A specialized destination created automatically at broker startup that is used to store dead messages for diagnostic purposes.
delivery mode	An indicator of the reliability of messaging: whether messages are guaranteed to be delivered and successfully consumed once and only once (persistent delivery mode) or guaranteed to be delivered at most once (non-persistent delivery mode).
delivery model	The model by which messages are delivered: either point-to-point or publish/subscribe. In JMS there are separate programming domains for each, using specific client runtime objects and specific destination types (queue or topic), as well as a unified programming domain.
destination	The physical destination in a Message Queue broker to which produced messages are delivered for routing and subsequent delivery to consumers. This physical destination is identified and encapsulated by an administered object that a client uses to specify the destination for which it is producing messages and/or from which it is consuming messages.
domain	A set of objects used by JMS clients to program JMS messaging operations. There are two programming domains: one for the point-to-point delivery model and one for the publish/subscribe delivery model.
encryption	A mechanism for protecting messages from being tampered with during delivery over a connection.
group	The group to which the user of a Message Queue client belongs for purposes of authorizing access to connections, destinations, and specific operations.
JMS provider	A product that implements the JMS interfaces for a messaging system and adds the administrative and control functions needed to configure and manage that system.

message service	A middleware service that provides asynchronous, reliable exchange of messages between distributed components or applications. It includes a broker, the client runtime, the several data stores needed by the broker to carry out its functions, and the administrative tools needed to configure and monitor the broker and to tune performance.
messages	Asynchronous requests, reports, or events that are consumed by messaging clients. A message has a header (to which additional fields can be added) and a body. The message header specifies standard fields and optional properties. The message body contains the data that is being transmitted.
messaging	A system of asynchronous requests, reports, or events used by enterprise applications that allows loosely coupled applications to transfer information reliably and securely.
producer	An object (<code>MessageProducer</code>) created by a session that is used for sending messages to a destination. In the point-to-point delivery model, a producer is a sender (<code>QueueSender</code>); in the publish/subscribe delivery model, a producer is a publisher (<code>TopicPublisher</code>).
queue	An object created by an administrator to implement the point-to-point delivery model. A queue is always available to hold messages even when the client that consumes its messages is inactive. A queue is used as an intermediary holding place between producers and consumers.
selector	A message header property used to sort and route messages. A message service performs message filtering and routing based on criteria placed in message selectors.
session	A single threaded context for sending and receiving messages. This can be a queue session or a topic session.
topic	An object created by an administrator to implement the publish/subscribe delivery model. A topic may be viewed as node in a content hierarchy that is responsible for gathering and distributing messages addressed to it. By using a topic as an intermediary, message publishers are kept separate from message subscribers.
transaction	An atomic unit of work that must either be completed or entirely rolled back.

Index

A

- access control, 72
- access control file, 70
- admin-created destinations, 66
- administered objects
 - introduced, 28
 - managing, 77
- administration tools, 34
- application servers, and Message Queue, 97
- authentication
 - about, 71-72
 - components needed for, 70
 - JAAS-based, 72
 - use and reference, 103
- authorization
 - See also* access control file
 - about, 71-72
 - components needed for, 70
 - use and reference, 104
- AUTO_ACKNOWLEDGE mode, 56
- auto-created destinations, 67

B

- broker acknowledgements
 - message consumption, and, 56
 - suppression of, 48
- broker clusters
 - cluster configuration file, 93
 - cluster configuration properties, 93
 - connection service for, 84

- broker clusters (*Continued*)
 - conventional
 - See* conventional broker clusters
 - enhanced
 - See* enhanced broker clusters
 - message delivery in, 84
 - models compared, 92
 - models of, 83
 - propagation of information in, 85
 - synchronization of, 85
 - use and reference, 105
- brokers
 - administration of, 79
 - automatic reconnection to, 47, 104
 - connecting to, 64
 - firewalls, connecting through, 65
 - GUI-based administration of, 78
 - in development environment, 79
 - interconnected
 - See* broker clusters
 - introduced, 27, 32
 - JMX, and, 78
 - limit behaviors, 68
 - logging
 - See* logger
 - maintenance, 81
 - memory management, 68, 69
 - metrics
 - See* broker metrics
 - monitoring, 110
 - monitoring APIs, 115
 - performance of, tuning, 120

brokers (*Continued*)

- production environment, 80
 - programmatic management of, 78
 - properties, 64
 - recovery from failure, 69
 - restarting, 69
 - starting, 77
 - tools for administering, 76
 - windows service, as, 78
- built-in persistence, 69
- BytesMessage type, 51

C

- C clients, 33, 61, 106
- CLIENT_ACKNOWLEDGE mode, 56
- client acknowledgements, 56
- client authentication, 47
- clients
 - C and C++, 33, 61, 106
 - Java, 33, 61
 - runtime support for, 32
- cluster configuration
 - file, 93
 - properties, 93
- cluster connection service, 84
- clustering services, 64
- clusters, *See* broker clusters
- components
 - EJB, 95
 - MDB, 96
- configuration change record, 88
- connection factory administered objects
 - as JMS programming object, 47
 - defined, 28
- connection objects, 47
- connection services, 64
 - about, 63
 - automatic reconnection, 104
 - cluster, 84
 - HTTP support, 110
 - managing, 77
 - message flow, 115
 - pinging service, 109

connection services (*Continued*)

- port mapper
 - See* port mapper
 - secure, 118
 - thread management, 119
- consumers
- as JMS clients, 27
 - as JMS programming object, 52
 - asynchronous, 52
 - delivery to, 52
 - durable, 47
 - load balancing consumption, 42
 - multiple for a queue, 116
 - synchronous, 52
- containers
- EJB, 96
 - MDB, 96
- control messages, 58
- conventional broker clusters
- client reconnect, 89
 - configuration change record, 88
 - data synchronization, 88
 - defined, 83
 - failure detections, 89
 - master broker, 88

D

- data store, 58
 - about, 69
 - flat-file, 69
 - JDBC-accessible, 70
- dead message queue
 - definition, 67
 - feature description, 109
- delivery, reliable, *See* reliable delivery
- delivery mode, 49
- design and performance, 60
- destination administered objects
 - defined, 28
 - in client applications, 30
- destination objects
 - and message consumption, 52
 - and message production, 51

destination objects (*Continued*)
 and programming domains, 44
 created by session object, 48
 temporary, 48

destinations
 objects
 See destination objects
 physical
 See physical destinations
 queues, 27
 temporary, 53
 topics, 28

distributed transactions
 about, 57
 feature description, 100

domains, *See* messaging domains

DUPS_OK_ACKNOWLEDGE mode, 56

durable subscriptions, 58

E

EJB containers, 96

encryption, 73

enhanced broker clusters
 client reconnect, 91
 data synchronization, 90
 defined, 84
 failure detection, 91

F

firewalls, 65

H

HTTP connections, 110

I

imqbrokerd utility, 77
 imqcmd utility, 77

imqdbmgr utility, 78
 imqkeytool utility, 78
 imqobjmgr utility, 77
 imqsvcadm utility, 78
 imqusermgr utility, 71, 78

J

JAAS-based authentication, 72

Java clients, 33, 61

Java EE applications
 EJB specification, 95
 JMS, and, 26, 95
 message-driven beans
 See message-driven beans
 Message Queue and, 36

Java EE resource adapters, 111

Java ES Monitoring Framework, 75, 111

JDBC support
 about, 70
 managing, 78

JMS

domains and APIs, 44

message properties, standard, 50

messaging domains, 27

messaging objects, 27

optional features in Message Queue, 99

provider, 26, 30

reserved properties, 100

runtime support for, 32

specification, 26

JMS applications, 45

JMS clients, 62

JMSCorrelationID message header field, 49

JMSDeliveryMode message header field, 49, 50

JMSDestination message header field, 49

JMSExpiration message header field, 49, 50

JMSMessageID, 99

JMSMessageID message header field, 49

JMSPriority message header field, 49, 50

JMSRedelivered message header field, 49

JMSReplyTo message header field, 49

JMSReplyTo message header field, 51

JMSTimestamp message header field, 49

JMSType message header field, 49
JMX-based administration, 78
JNDI, 28
JNDI support, 112

L

LDAP repository, 71
LDAP server support, 112
listeners
 as JMS programming object, 53
 MDBs, and, 96
 serializing, 48
logger
 about, 74-75
 output channels, 74
logging, *See* logger

M

managed beans, *See* MBeans
MapMessage type, 51
master broker, 88
MBean server, defined, 78
MBeans
 defined, 78
 server
 See MBean server
MDB, *See* message-driven beans
memory management, 68, 114
message consumers, *See* consumers
message-driven beans
 about, 96
 application server support, 97
 deployment descriptor, 96
 MDB container, 96
message header fields
 JMS message, 49-50
 overriding, 48, 99
message listeners, *See* listeners
message-oriented middleware, 22, 23
message producers, *See* producers

Message Queue
 application servers, and, 97
 development environment, 79
 features summary, 101
 in production environment, 80
 JMS optional features, 99
message service
 administration, 34
 broker services, 63
 introduced, 31
 memory management, 114
 scaling, 35
Message type, 51
messages
 body of, 51
 body types, 51
 broadcasting, 44
 compressing, 107, 114
 compression of, 51
 consumption of, 52
 control, 58
 correspondence, establishing, 49
 delivery mode, 49
 destination of, 49
 expiration of, 49
 headers
 See message header fields
 ID of, 49
 JMS, 49
 JMS properties of, 50
 JMSReplyTo header field, 54
 listeners for, 53
 load balancing consumption of, 42
 payload, 58
 persistent, 50
 priority of, 49
 processing of, 59
 producing and consuming, 47
 properties, 50
 publishing, 42
 redelivery flag, 49
 reliable delivery of, 55
 reply-to destination, 49
 selecting, 49, 53

- messages (*Continued*)
 - SOAP, 61
 - storage of, 58
 - timestamp for, 49
- messaging domains
 - APIs and, 44
 - introduced, 39
 - point-to-point, 40
 - publish/subscribe, 28
- messaging domains, introduced, 27
- messaging provider, 24
- metrics
 - data
 - See* broker metrics
 - message producer, 75
 - messages, 75
 - reports, 74
- middleware, 22, 23
- monitoring
 - APIs, 115
 - services, 64
 - support for Java ES, 111
- monitoring, support for Java ES, 75
- persistence services, 63
- persistent data store, 58
- physical destination, in MOM-based systems, 24
- physical destinations
 - admin-created, 66
 - and destination administered objects, 28
 - auto-created, 67
 - configuring, 67
 - dead message queue, 67
 - limits for, 68
 - managing, 67, 77
 - scope of properties in broker clusters, 86
 - temporary, 67
- plugged-in persistence, 70
- point-to-point messaging, 40
- port mapper, 65
- ports, dynamic allocation of, 65
- producers
 - as JMS clients, 27
 - as JMS programming object, 51
 - creating, 51
- publish/subscribe messaging, 42
- publishing, 42

O

- object request broker, 23
- ObjectMessage type, 51

P

- payload messages, 58
- performance, 120
- performance and design, 60
- permissions
 - access control properties file, 72
 - Message Queue operations, 72
- persistence
 - built-in, 69
 - configurable, 107
 - data, of, 117
 - plugged-in
 - See* plugged-in persistence

Q

- queue browser, 42, 48
- queue destinations, 27

R

- reliable delivery
 - data persistence, 117
 - JMS specification, 55-58
- request-reply pattern, 53
- resource adapters, 37, 111
- RMI connectors, defined, 78
- routing services, 63

S

- Secure Socket Layer standard, *See* SSL

- security, 70, 118
- security services, 64
- selectors, 53
- self-signed certificates, 78
- server, MBean, *See* MBean server
- sessions
 - as JMS programming object, 48
 - JMS client acknowledgements, 56
 - threading and, 48
 - transacted, 55
- SOAP message support
 - feature description, 119
 - implementing, 61
 - introduced, 33
- SSL
 - about, 73
 - feature description, 118
 - self-signed certificates, 78
- StreamMessage type, 51
- subscribers
 - durable, 44, 53, 58
 - introduced, 42

T

- temporary destinations, 53, 67
- TextMessage type, 51
- thread management, 119
- threading model, 66
- timestamps, 49
- TLS protocol, 72
- topic destinations, 28
- transactions
 - distributed
 - See* distributed transactions
 - processing of, 56

U

- unified APIs, 44
- user data, 71
- users, managing, 78