



Sun X4500-J Slide Rail Installation Guide

For Sun Fire X4500, X4540 Servers,
Sun Storage 7210 Unified Storage System,
and Sun Storage J4500 Array

Sun Microsystems, Inc.
www.sun.com

Part No. 820-7238-10
February 2009, Revision A

Submit comments about this document at: <http://www.sun.com/hwdocs/feedback>

Copyright 2009 Sun Microsystems, Inc., 4150 Network Circle, Santa Clara, California 95054, U.S.A. All rights reserved.

Sun Microsystems, Inc. has intellectual property rights relating to technology that is described in this document. In particular, and without limitation, these intellectual property rights may include one or more of the U.S. patents listed at <http://www.sun.com/patents> and one or more additional patents or pending patent applications in the U.S. and in other countries.

This document and the product to which it pertains are distributed under licenses restricting their use, copying, distribution, and decompilation. No part of the product or of this document may be reproduced in any form by any means without prior written authorization of Sun and its licensors, if any.

Third-party software, including font technology, is copyrighted and licensed from Sun suppliers.

Parts of the product may be derived from Berkeley BSD systems, licensed from the University of California. UNIX is a registered trademark in the U.S. and in other countries, exclusively licensed through X/Open Company, Ltd.

Sun, Sun Microsystems, the Sun logo, Java, AnswerBook2, docs.sun.com, and Solaris are trademarks or registered trademarks of Sun Microsystems, Inc., and its subsidiaries, in the U.S. and in other countries.

All SPARC trademarks are used under license and are trademarks or registered trademarks of SPARC International, Inc. in the U.S. and in other countries. Products bearing SPARC trademarks are based upon an architecture developed by Sun Microsystems, Inc.

The OPEN LOOK and Sun™ Graphical User Interface was developed by Sun Microsystems, Inc. for its users and licensees. Sun acknowledges the pioneering efforts of Xerox in researching and developing the concept of visual or graphical user interfaces for the computer industry. Sun holds a non-exclusive license from Xerox to the Xerox Graphical User Interface, which license also covers Sun's licensees who implement OPEN LOOK GUIs and otherwise comply with Sun's written license agreements.

U.S. Government Rights—Commercial use. Government users are subject to the Sun Microsystems, Inc. standard license agreement and applicable provisions of the FAR and its supplements.

DOCUMENTATION IS PROVIDED "AS IS" AND ALL EXPRESS OR IMPLIED CONDITIONS, REPRESENTATIONS AND WARRANTIES, INCLUDING ANY IMPLIED WARRANTY OF MERCHANTABILITY, FITNESS FOR A PARTICULAR PURPOSE OR NON-INFRINGEMENT, ARE DISCLAIMED, EXCEPT TO THE EXTENT THAT SUCH DISCLAIMERS ARE HELD TO BE LEGALLY INVALID.

Copyright 2009 Sun Microsystems, Inc., 4150 Network Circle, Santa Clara, Californie 95054, Etats-Unis. Tous droits réservés.

Sun Microsystems, Inc. a les droits de propriété intellectuels relatants à la technologie qui est décrit dans ce document. En particulier, et sans la limitation, ces droits de propriété intellectuels peuvent inclure un ou plus des brevets américains énumérés à <http://www.sun.com/patents> et un ou les brevets plus supplémentaires ou les applications de brevet en attente dans les Etats-Unis et dans les autres pays.

Ce produit ou document est protégé par un copyright et distribué avec des licences qui en restreignent l'utilisation, la copie, la distribution, et la décompilation. Aucune partie de ce produit ou document ne peut être reproduite sous aucune forme, par quelque moyen que ce soit, sans l'autorisation préalable et écrite de Sun et de ses bailleurs de licence, s'il y en a.

Le logiciel détenu par des tiers, et qui comprend la technologie relative aux polices de caractères, est protégé par un copyright et licencié par des fournisseurs de Sun.

Des parties de ce produit pourront être dérivées des systèmes Berkeley BSD licenciés par l'Université de Californie. UNIX est une marque déposée aux Etats-Unis et dans d'autres pays et licenciée exclusivement par X/Open Company, Ltd.

Sun, Sun Microsystems, le logo Sun, Java, AnswerBook2, docs.sun.com, et Solaris sont des marques de fabrique ou des marques déposées de Sun Microsystems, Inc., et ses filiales, aux Etats-Unis et dans d'autres pays.

Toutes les marques SPARC sont utilisées sous licence et sont des marques de fabrique ou des marques déposées de SPARC International, Inc. aux Etats-Unis et dans d'autres pays. Les produits portant les marques SPARC sont basés sur une architecture développée par Sun Microsystems, Inc.

L'interface d'utilisation graphique OPEN LOOK et Sun™ a été développée par Sun Microsystems, Inc. pour ses utilisateurs et licenciés. Sun reconnaît les efforts de pionniers de Xerox pour la recherche et le développement du concept des interfaces d'utilisation visuelle ou graphique pour l'industrie de l'informatique. Sun détient une licence non exclusive de Xerox sur l'interface d'utilisation graphique Xerox, cette licence couvrant également les licenciées de Sun qui mettent en place l'interface d'utilisation graphique OPEN LOOK et qui en outre se conforment aux licences écrites de Sun.

LA DOCUMENTATION EST FOURNIE "EN L'ÉTAT" ET TOUTES AUTRES CONDITIONS, DECLARATIONS ET GARANTIES EXPRESSES OU TACITES SONT FORMELLEMENT EXCLUES, DANS LA MESURE AUTORISEE PAR LA LOI APPLICABLE, Y COMPRIS NOTAMMENT TOUTE GARANTIE IMPLICITE RELATIVE A LA QUALITE MARCHANDE, A L'APTITUDE A UNE UTILISATION PARTICULIERE OU A L'ABSENCE DE CONTREFAÇON.



Contents

1. Installing and Using Your Sun X4500-J Slide Rails	1
Installation Overview	2
Tools Required	2
Staff Required	2
Compatible Racks	3
Disassembling the Slide Rail Assemblies	3
Determining Where to Attach the Outer Rail/Middle Rail	5
Attaching the Outer Rail/Middle Rail	6
Rack Installation Aid	8
Attaching the Inner Rails to the Chassis	11
How to Remove the Inner Rail From the Chassis if Installed Incorrectly	12
Installing the System Into the Rack	14
Verifying Slide Rail Operation	17
Installing a Cable Management Assembly (CMA)	17
Removing the System from the Rack	18

Installing and Using Your Sun X4500-J Slide Rails

This document describes how to install and use the Sun X4500-J slide rails to mount your Sun Fire X4500 and X4540 storage servers, Sun Storage 7210 Unified Storage System, and Sun Storage J4500 Array into a compatible rack system.

This document includes the following sections:

- [“Installation Overview” on page 2](#)
 - [“Tools Required” on page 2](#)
 - [“Staff Required” on page 2](#)
 - [“Compatible Racks” on page 3](#)
- [“Disassembling the Slide Rail Assemblies” on page 3](#)
- [“Determining Where to Attach the Outer Rail/Middle Rail” on page 5](#)
- [“Attaching the Outer Rail/Middle Rail” on page 6](#)
- [“Attaching the Inner Rails to the Chassis” on page 11](#)
- [“Installing the System Into the Rack” on page 14](#)
- [“Verifying Slide Rail Operation” on page 17](#)
- [“Installing a Cable Management Assembly \(CMA\)” on page 17](#)
- [“Removing the System from the Rack” on page 18](#)

Installation Overview

The Sun X4500-J Slide Rails are designed for use with Sun 4RU (Rack Unit), 48 HDD storage products, such as the Sun Fire X4500 and X4540 storage servers; Sun Storage 7210 Unified Storage System; and Sun Storage J4500 Array. After unpacking your system, follow the instructions described in this section to install the slide rails and mount your system into a compatible rack.

Once the system is racked, use the installation documentation included with the system to complete its setup.

Tools Required

- #2 Phillips screwdriver, 10 inches, magnetic tip recommended
- Mechanical lift (highly recommended)
- Carpenter's level (spirit or bubble)



Caution – Because of the weight of the system, a mechanical lift is highly recommended for installing the system into the rack. If a lift is not available, remove the following components to reduce the weight: both power supplies, system controller, and all 48 hard drives. Leave the fan trays installed. Be sure to replace the 48 hard drives in the same order in which they are removed.

Staff Required

At least *three* people are needed to install the system into the rack:

- Two to install the system and operate the lift
- A spotter to ensure that the rails are engaged correctly

Note – This assumes that a mechanical lift is used. If a mechanical lift is not available, you must depopulate the system of some of its components to reduce the weight.

Compatible Racks

Sun recommends using the **Sun Rack 1000-42** and **Sun Rack 1000-38**, or **Sun Rack II 1042/E** and **Sun Rack II 1242/E** products with your Sun X4500-J slide rails. However, the slide rails are compatible with a wide range of equipment racks that meet the following standards:

- Four-post structure (mounting at both front and rear). Note that two-post racks and two-post racks converted to four-post racks are not compatible.
- Rack horizontal opening and unit vertical pitch conforming to ANSI/EIA 310-D-1992 or IEC 60927 standards.
- Distance between front and rear mounting planes between 23 to 34 inches (580 mm and 870 mm).
- Minimum clearance depth (to front cabinet door) in front of front rack mounting plane: 1.85 inches (47 mm).
- Minimum clearance depth (to rear cabinet door) behind front rack mounting plane: 38 inches (965 mm) with a cable management arm (*articulated cable management arms are recommended for most external system cabling except for external SAS cables*) or 33.5 inches (851 mm) without a cable management arm. Sun 4RU 48 HDD products fit best in 1000 mm racks. Sun recommends using the **Sun Rack 1000-42** and **Sun Rack 1000-38**, or **Sun Rack II 1042/E** and **Sun Rack II 1242/E** products.
- Minimum clearance width between the structural supports and cable troughs: 19 inches (483 mm). The clearance on each side of the rack must be at least 1/2 inch (12.7mm) outwards of the plane between the edges of the front and rear rack mounting structures.
- Minimum clearance width (not between structural supports and cable troughs) between front and rear mounting planes: 18 inches (456 mm).



Caution – Always load equipment into a rack from the bottom up so that it will not become top-heavy and tip over. Deploy your rack’s anti-tilt bar to prevent the rack from tipping during equipment installation. For instructions, see the service label on the system cover or the label on the rack.

Disassembling the Slide Rail Assemblies

The slide rail assemblies are shipped assembled. The assemblies include the following parts:

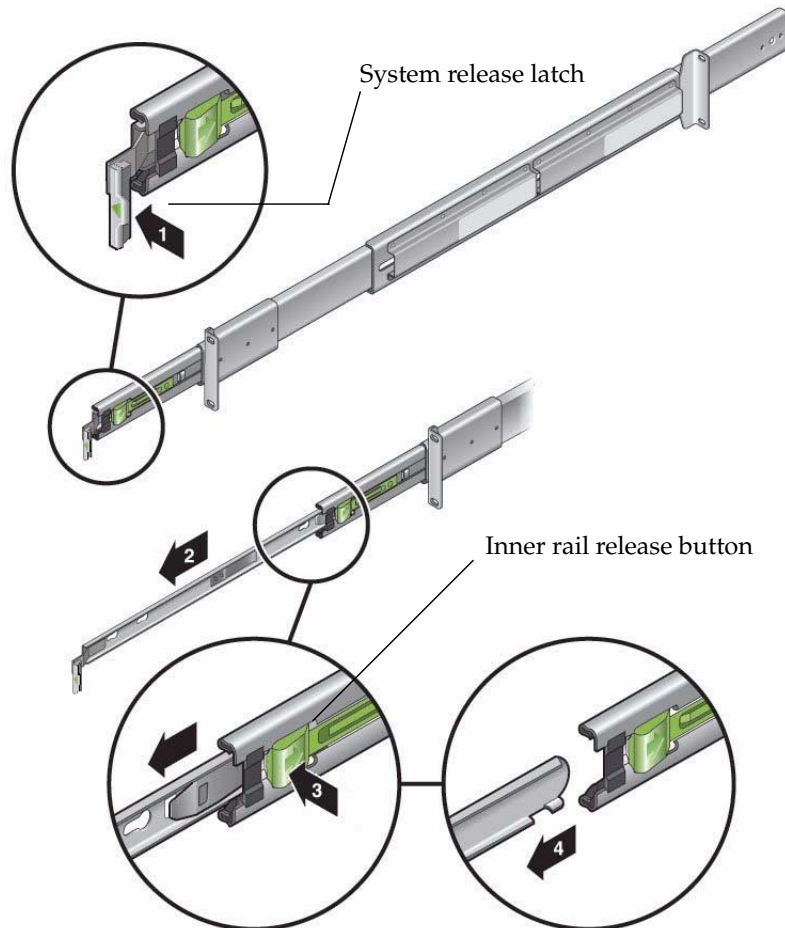
- Outer rail (the part mounted to the rack)

- Middle rail (the sliding part of the assembly)
- Inner rail (the part mounted to the chassis)

Before you start this procedure, unpack the slide rail assemblies from the packing box and place them on a flat surface. You must remove the inner rail (as explained in this procedure) before trying to mount it to the system chassis.

- 1. Push the system release latch and slide out the inner rail to its fully extended position (until it reaches the internal stops). See the inset arrows labeled 1 and 2 in [FIGURE 1-1](#).**
- 2. Push the green inner rail release button (with embossed arrow), and remove the inner rail from the slide rail assembly. See the inset arrows labeled 3 and 4 in [FIGURE 1-1](#).**

FIGURE 1-1 Disassembling the Slide Rail Assembly Before Installation



3. Repeat steps 1 and 2 for the remaining slide rail assembly.

Determining Where to Attach the Outer Rail/Middle Rail

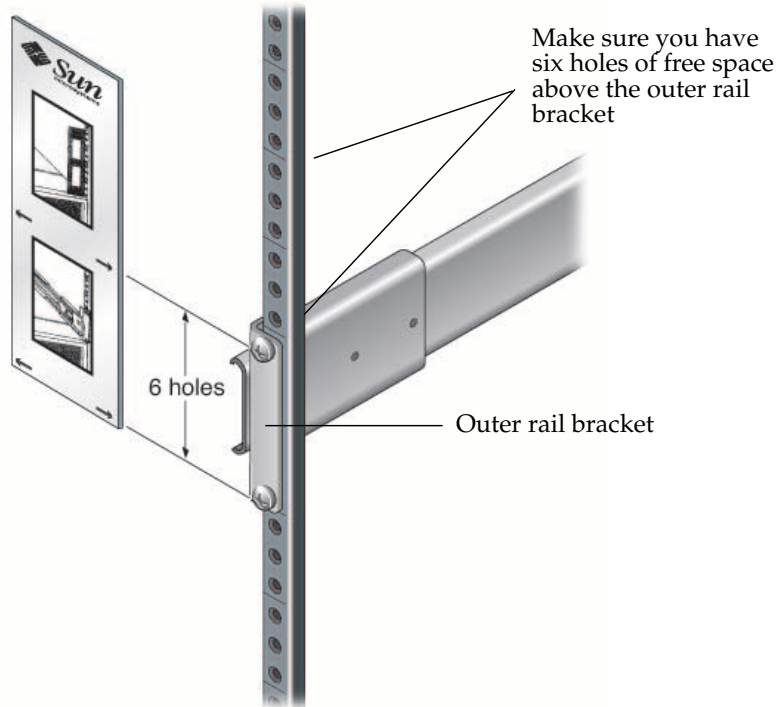
1. Determine where in the rack you want to install the system.

The Sun X4500-J slide rails are designed for Sun 4RU 48 HDD storage products. A paper rack-mount template is shipped with the slide-rail assembly.

2. Set the rack-mount template above the bottom system mounted in your rack.
3. Prepare to install the outer rail/middle rail at the location indicated by the arrows on the rack-mount template.

In a rack with three holes per rack unit, these systems occupy 12 holes in height. See [FIGURE 1-2](#).

FIGURE 1-2 Determining Where to Attach the Outer Rail/Inner Rail



Attaching the Outer Rail/Middle Rail

Have the following available before you begin the assembly:

- #2 Phillips screwdriver
- 1 set of rail mounting hardware (includes 8 screws)

1. Make sure the slide-rail assembly is adjusted lengthwise to facilitate mounting to the front and rear posts of your rack. See [FIGURE 1-3](#).

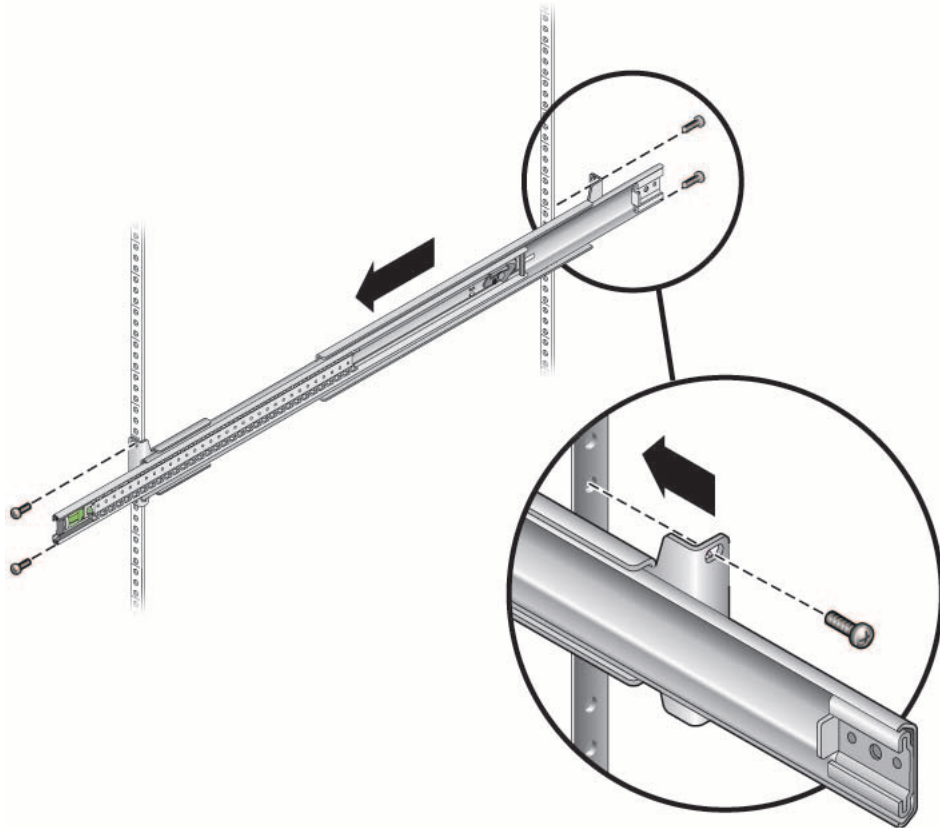
2. Insert and hand-tighten the bottom screws first to hold each slide rail in place.

The screws should be hand-tightened now because you will use a slide rail spacing tool (called the Rack Installation Aid) later to make final adjustments.

- If your rack has threaded mounting holes in the rack posts, insert the correct mounting screws (standard or metric) through the slide rail brackets and into the threaded holes.
- If your rack does not have threaded mounting holes, insert the appropriate mounting screws through both the slide rail brackets and rack posts, and then secure them with caged nuts.

3. Insert and hand-tighten the rest of the screws in the rail assembly front and rear mounting-bracket holes.

FIGURE 1-3 Attaching the Outer Rail/Inner Rail



Rack Installation Aid

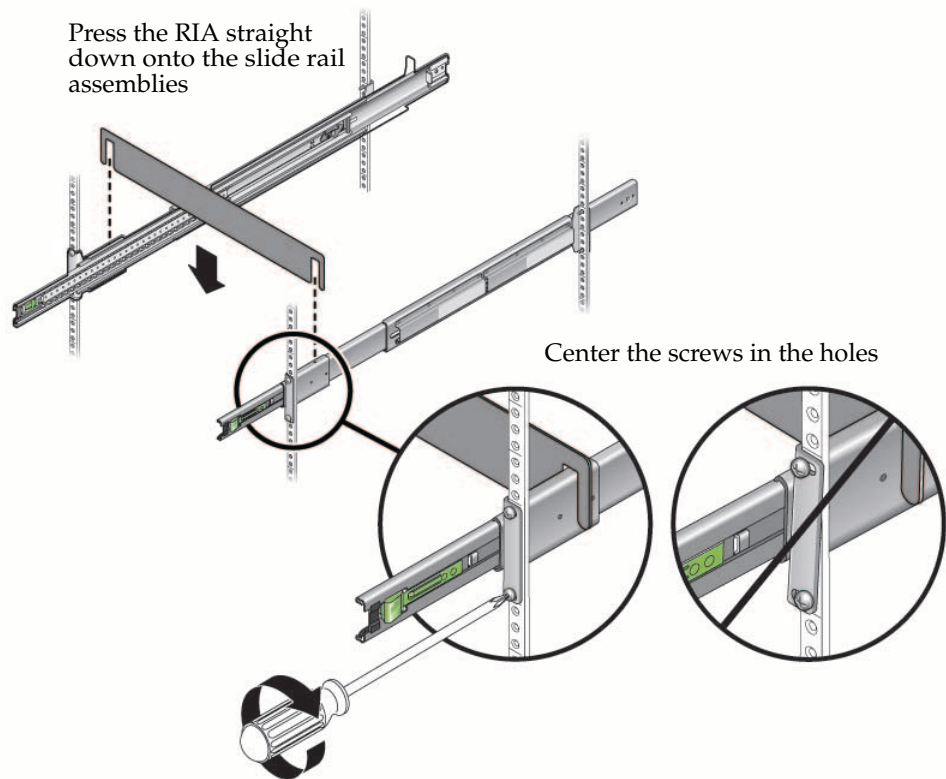
The Rack Installation Aid (RIA) is used to help with the critical alignment and spacing of the rails to ensure an even fit and prevent tilted alignment.

1. Once *both* slide rail assemblies are loosely fastened at the front and rear, place the RIA spacing tool over both slide-rail assemblies at the *front* of the rack. See [FIGURE 1-4](#).

The RIA spacing tool should have a snug fit and might require pressure to ensure that it is fully engaged with the left and right slide-rail assemblies.

2. Center the bracket holes with the appropriate holes in the rack, and tighten all four screws on left and right front mounting brackets with a #2 Phillips screwdriver. See [FIGURE 1-4](#).

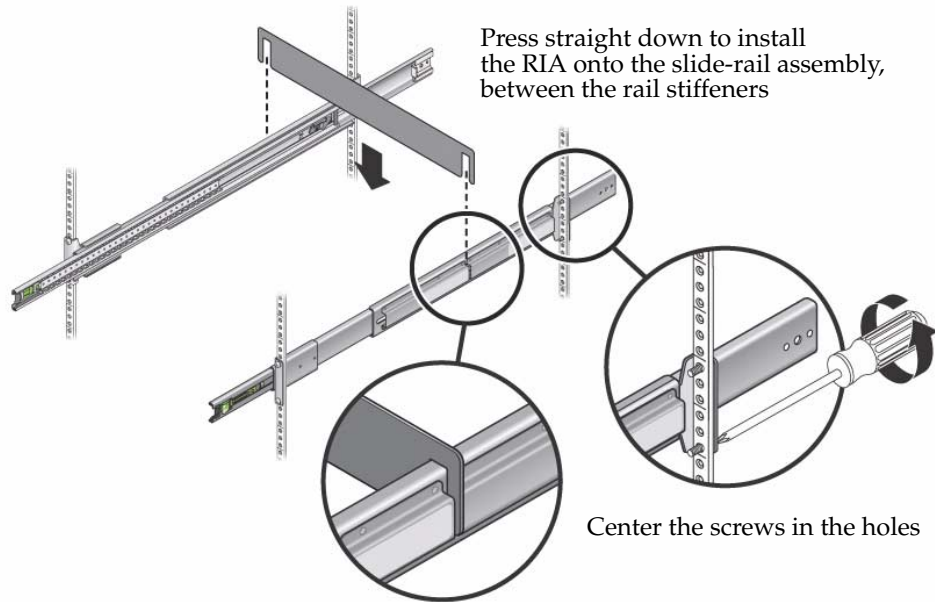
FIGURE 1-4 Using the Rack Installation Aid (RIA) Spacing Tool at the Front of the Rack



3. Remove the RIA slide-rail spacing tool *with care*, as follows (removing the tool unevenly can deform its alignment flanges):
 - Lift both ends of the RIA slide-rail spacing tool from both of the slide-rail assemblies at the same time.
 - Lift straight up—*do not* remove the RIA at an angle.
4. Take the RIA spacing tool and proceed to the rear of the rack.
5. Place the RIA spacing tool over the slide-rail assembly at the *rear* of the rack, between the rail stiffeners. See [FIGURE 1-5](#).

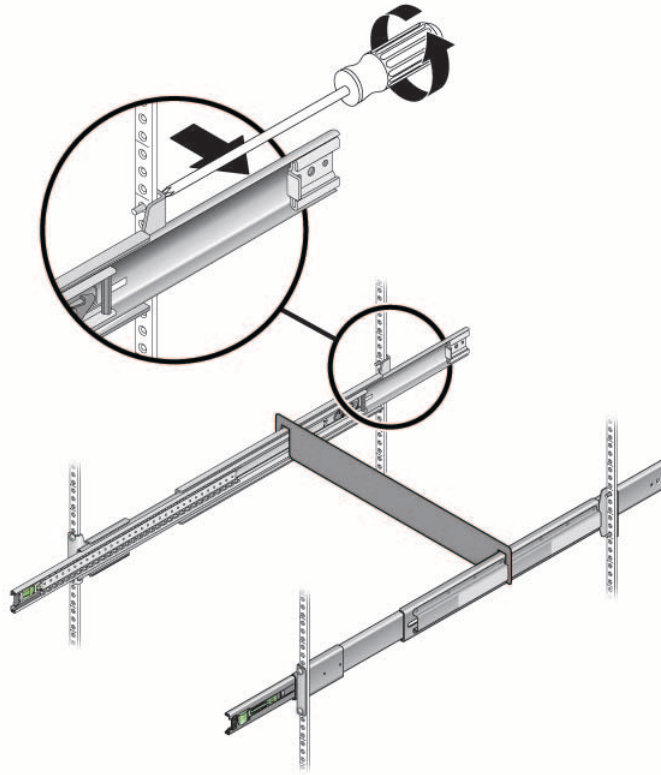
The spacing tool should have a snug fit and might require pressure to ensure that it is fully engaged with the left and right slide-rail assemblies. See [FIGURE 1-6](#).

FIGURE 1-5 Using the Rack Installation Aid (RIA) Spacing Tool at the Rear of the Rack



6. Center the bracket holes with the appropriate holes in the rack, and tighten all four screws on the left and right rear mounting brackets with a #2 Phillips screwdriver. See [FIGURE 1-5](#) and [FIGURE 1-6](#).

FIGURE 1-6 Tighten Screws on the Right Rear Mounting Bracket



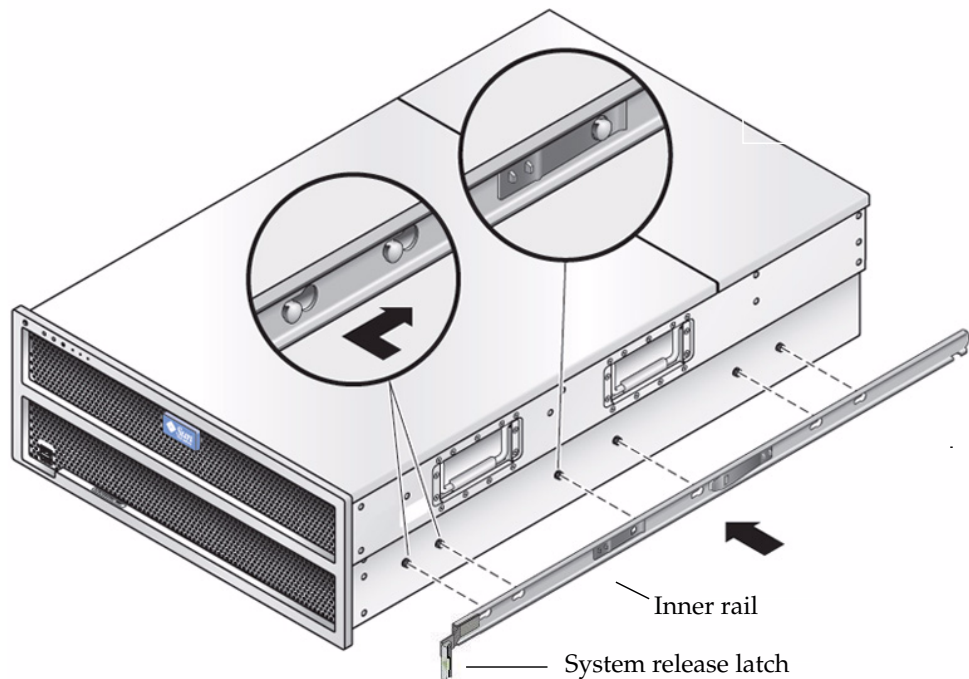
7. Carefully, remove the RIA slide rail spacing tool from the rails by lifting both ends of the tool straight up at the same time.

Attaching the Inner Rails to the Chassis

The inner rails must be installed on to the system chassis before installing the system into the rack.

1. Pick up one of the inner rails and orient it so that the system release latch is toward the front of the system.
2. Position the inner rail on the chassis by aligning the six-keyed openings on the inner rail with the six mounting pins on the side of the chassis. See [FIGURE 1-7](#).

FIGURE 1-7 Attaching the Inner Rail to the Chassis



3. While pressing the front and rear part of the rail against the chassis, slide the rail toward the rear of the chassis until the pin retaining clip locks into place with an audible click. See the inset with the arrow in [FIGURE 1-7](#).
4. Verify that all six mounting pins are properly engaged with the keyed slide-rail pin slots.
If the rail does not fit flush against the chassis, reinstall it as described in [“How to Remove the Inner Rail From the Chassis if Installed Incorrectly”](#) on page 12.
5. Repeat steps 1 through 4 to install the remaining inner rail on the other side of the system.

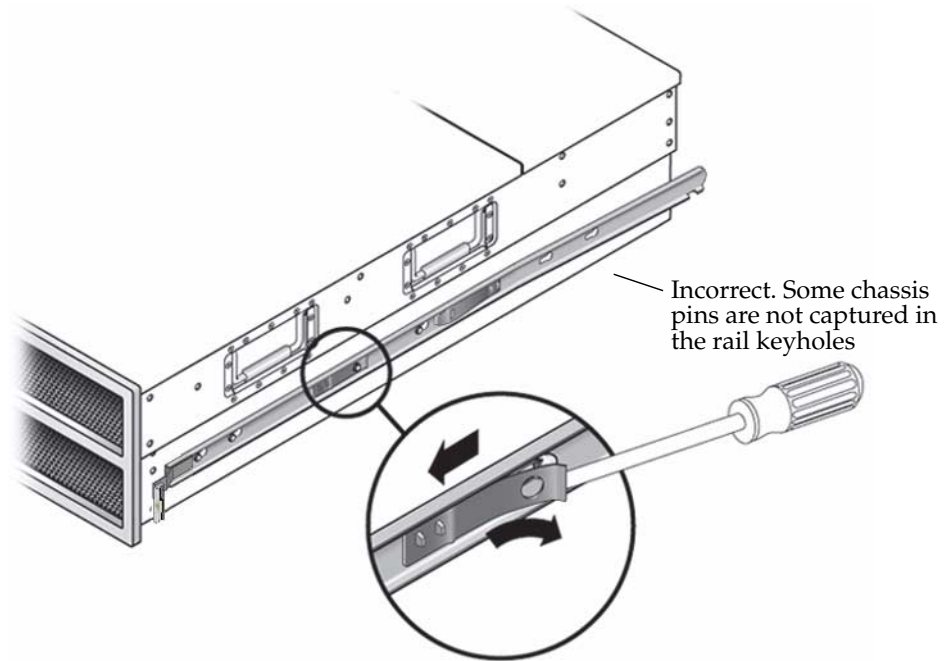
How to Remove the Inner Rail From the Chassis if Installed Incorrectly

If some of the keyholes on the inner rail did not capture the chassis pins when you installed the inner rail to the chassis, do the following:

1. Lift the pin retaining latch as shown in [FIGURE 1-8](#).

2. Push the inner rail forward (toward the *front* of the system) to remove it.
3. Then repeat steps 1 through 4 in the previous section to reinstall the rail.

FIGURE 1-8 Removing the Inner Rail from the Chassis



Installing the System Into the Rack

The following procedure explains how to install your Sun 4RU 48 HDD storage product (with the inner rails attached) into the slide-rail assemblies on the rack. This is a three-person operation.

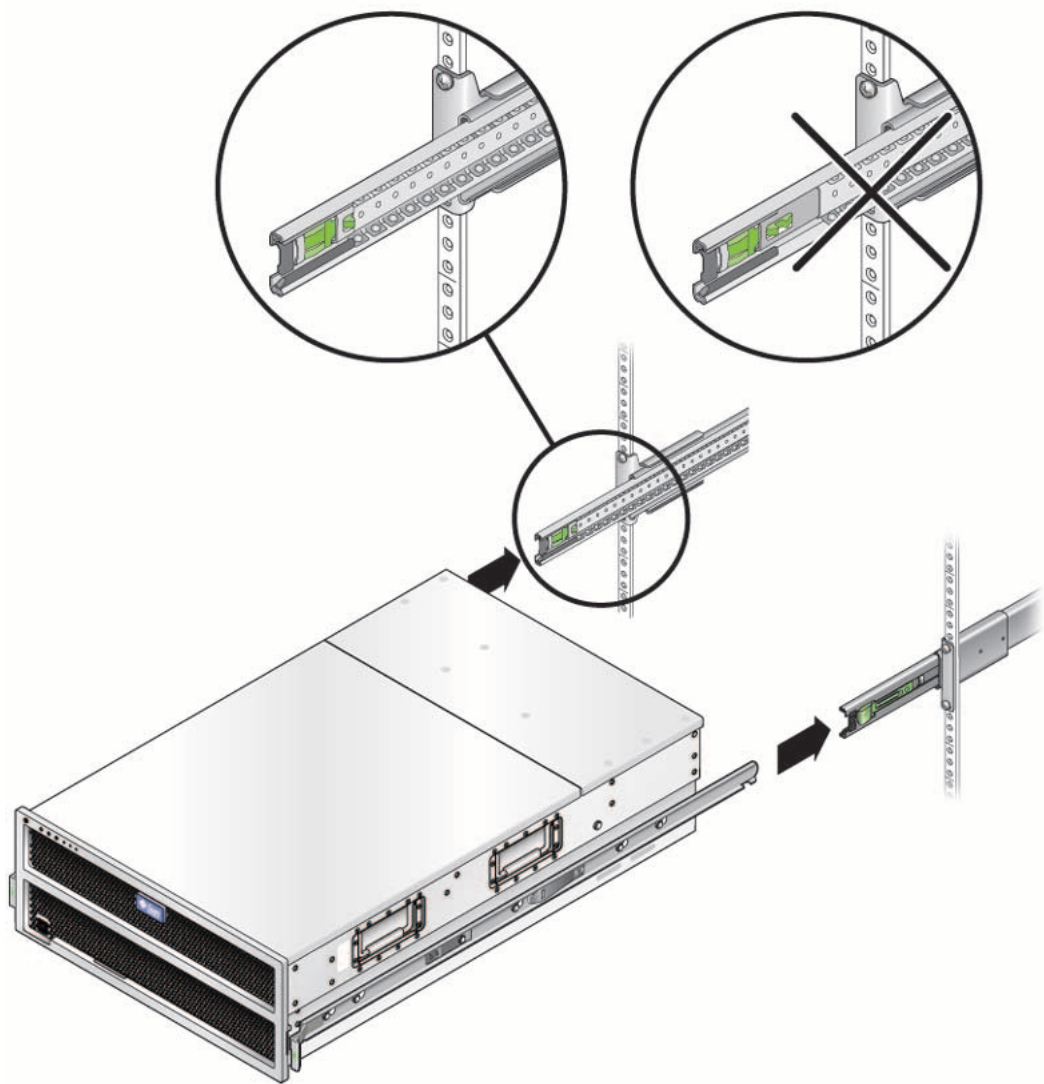


Caution – The system weighs 160 pounds (72.6 kg) when fully loaded with components. To reduce the risk of serious personal injury or equipment damage, use a mechanical lift to install the system into the rack. If a lift is not available, remove the following components to reduce the weight: two power supplies, the system controller, all 48 hard disk drives (make a note of where each drive is installed so that they can be replaced in the same slots). Leave the fan trays installed.

1. Ensure that the inner rails are attached to either side of the system as described in the previous section.
2. Inspect the slide-rail assembly, and make sure that the middle rail ball bearing retainers are pulled to the front of both slide rails and secured with the green latch. See [FIGURE 1-9](#).
3. Lift the system and bring the inner rails up to the entrance point on each side slide-rail assembly, keeping everything as level as possible. See [FIGURE 1-9](#) and [FIGURE 1-10](#).

Note – If necessary, support the system with the mechanical lift while aligning the chassis-mounted inner rails parallel to the rack-mounted middle rails. It is very important to use a carpenter's level to achieve an exact level of insertion.

FIGURE 1-9 Correct Setup for Inserting the System Into the Slide Rails

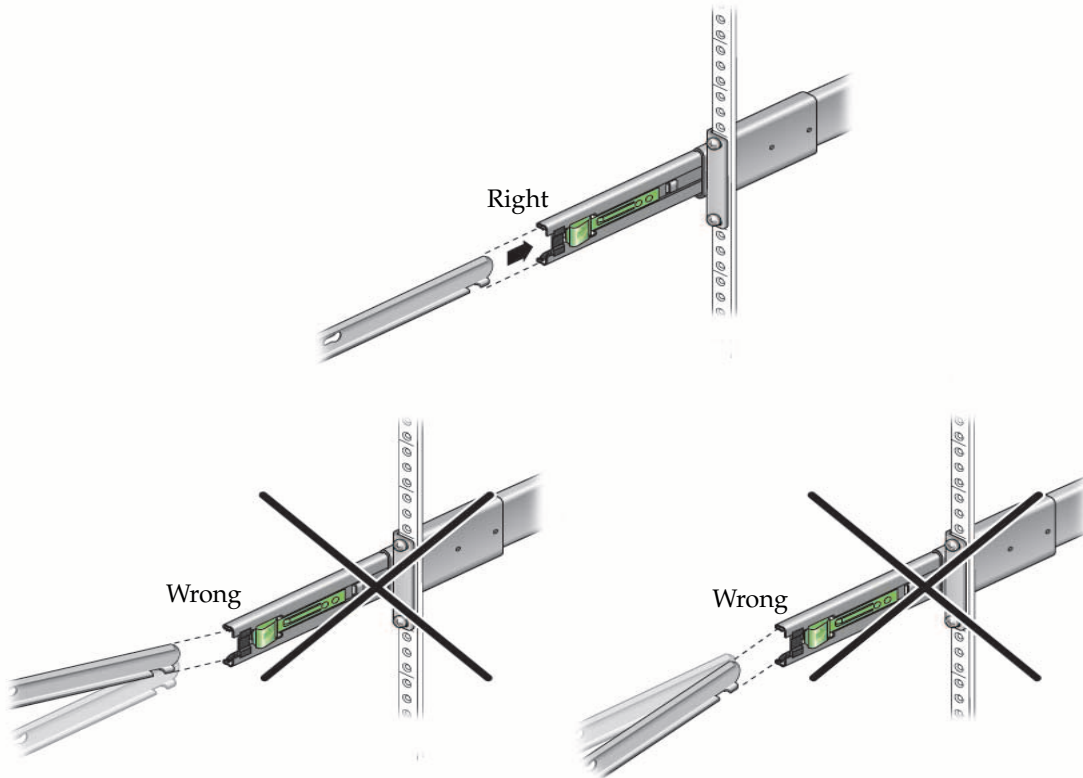


4. Press in on the green inner-rail release buttons on each of the slide rails (see the inset arrow labeled 3 in [FIGURE 1-1](#)). Slowly move the system in to engage the inner rails with the slide-rail assembly (see [FIGURE 1-10](#)).

Note – Make sure the inner rails enter the middle rails at the correct angle, as shown in [FIGURE 1-10](#).

As you slide the system into the rack, a spotter or observer at the rear of the rack should make sure the inner rails are engaged with the ball-bearing retainers (shown in [FIGURE 1-9](#)) on both slide rails.

FIGURE 1-10 Making Sure Inner Rail Is Inserted at the Correct Angle



5. Slowly push the system all the way into the rack until the slide rail locks engage. There might be moderate resistance during the first insertion as the middle rails auto-adjust.

Verifying Slide Rail Operation



Caution – To prevent damage to the system or physical injury, if you are using a lift, keep the lift under the system. If you are manually installing the system, hold the handles on each side of the system.

1. Slide out the system out to its service position by first releasing the latches on each side of the system, and then sliding it out until it reaches the stops. See the inset with arrows labeled 1 and 2 in [FIGURE 1-11](#).
-

Note – For some rack solutions, clearances can be tight in the lower racks because of the rack anti-tilt bar. The system release latch for the slide rails are flanged on either side of the embossed triangle to allow fingertip access.

2. If you depopulated the system of hard disk drives during slide rail installation, replace them in the same locations from which they were removed.
 3. Push in the green inner rail release button (with embossed arrow—see inset arrow labeled 3 in [FIGURE 1-1](#)) on each of the middle rails, and push the system all the way back into the rack until the slide rail locks engage.
 4. If you removed power supplies or the system controller during slide rail installation, replace those in the same locations from which they were removed.
 5. To complete the installation of your Sun rackable 4RU storage product, proceed to the installation instructions supplied with the product for the next steps. If you need to install a cable management assembly, proceed to the next section.
-

Installing a Cable Management Assembly (CMA)

If a Cable Management Assembly (CMA) is supported for use with your Sun 4UR storage product, follow the instructions packaged with the CMA to properly install it. There are only certain Sun CMA products that may be used with the Sun X4500-J Slide Rails. Refer to your product documentation for a list.

Removing the System from the Rack

This procedure assumes you have turned off the system, removed the cable management arm, and removed any cables or cords that would restrict the movement of the system.

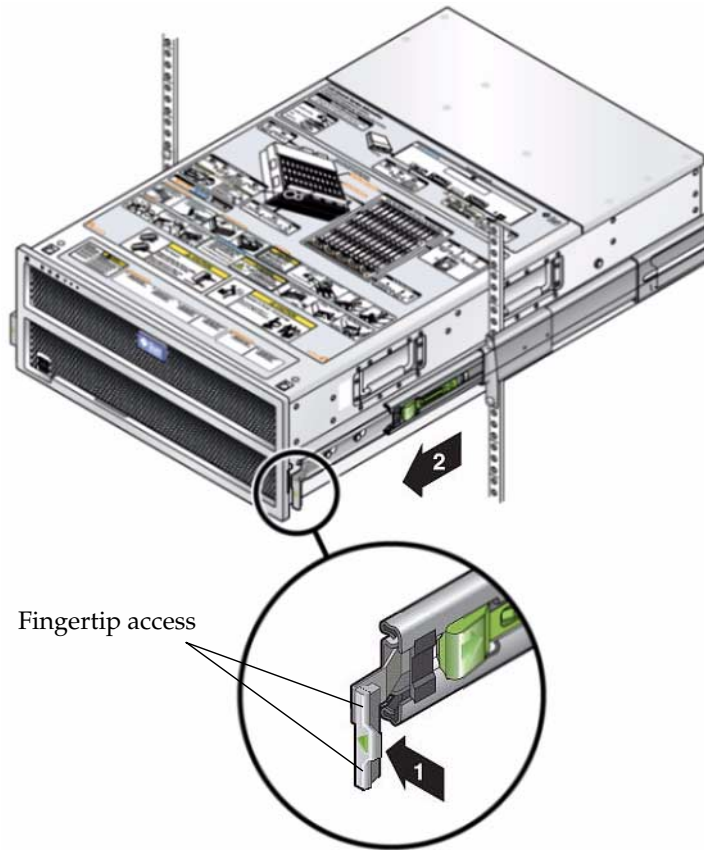


Caution – Attempting this procedure without a mechanical lift or with fewer than *four* people could result in personal injury or equipment damage. These systems can weigh up to 160 pounds (72.6 kg) when fully loaded with components. To prevent injury, use a mechanical lift to remove the system from the rack. If only three people are available, remove power supplies, hard disks, and system controller to reduce the weight to about 50 pounds before removing the system. Leave the fan trays installed.

1. If your system includes a cable management assembly (CMA), remove it and disconnect all the cables.
2. If you do not have a mechanical lift, remove the following components from the rear of the rack to reduce the weight to a safe level for manual lifting:
 - Power supplies
 - System Controller
3. Slide out the system out to its service position by first releasing the latches on each side of the system, and then sliding it out until it reaches the stops. See the inset with arrows labeled 1 and 2 in [FIGURE 1-11](#).

Note – For some rack solutions, clearances can be tight in the lower racks because of the rack anti-tilt bar. The system release latch for the slide rails are flanged on either side of the embossed triangle to allow fingertip access.

FIGURE 1-11 Releasing and Sliding out the System from the Rack



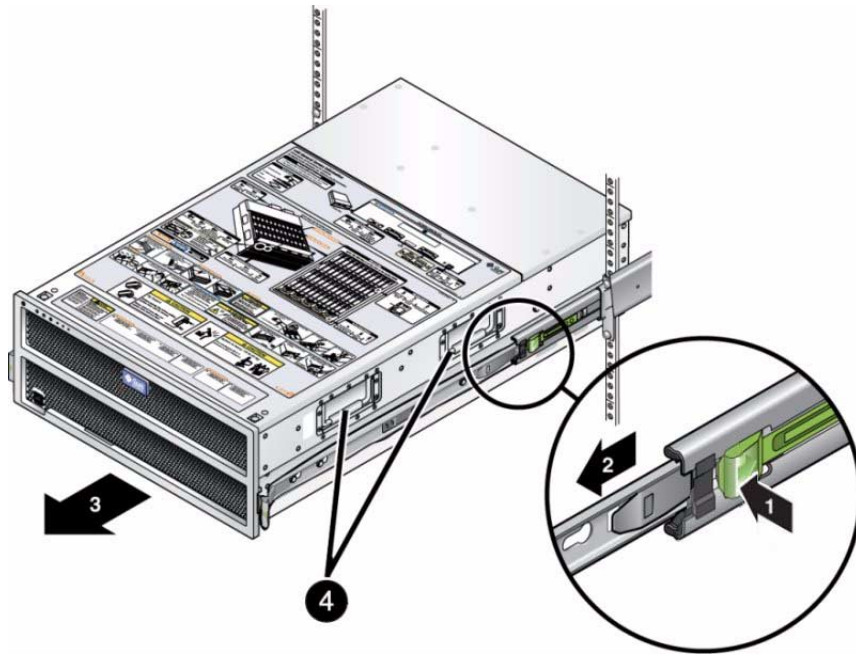
4. If you do not have a mechanical lift, open the hard disk drive access cover and remove the hard disk drives.



Caution – Make sure you label the drives so you can replace them in their original locations.

5. To completely remove the system from the rack, do the following:
 - a. Press the green release lever (with embossed arrow) on each slide rail to disengage the system inner rails from the slide rail assembly (see the inset arrows labeled 1 and 2 in [FIGURE 1-12](#)).
 - b. Holding the handles located on each side of the system, slide the system completely out of the rack (see label 4 in [FIGURE 1-12](#)) and set it down on a clean, stable surface.

FIGURE 1-12 Removing the System from the Rack



6. To prevent the middle rails from blocking access to the aisle as you service your system out of the rack, release the middle rail locks and then slide the middle rails back inside the outer rails. See [FIGURE 1-13](#).

Note – When reinstalling the system into the rack, first pull the middle rails back out to their locking position (see [FIGURE 1-9](#)) before attempting to reinsert the inner rails on the system into the middle and outer slide rails.

FIGURE 1-13 Releasing the Middle Rail Lock

